



**SANITARY  
SYSTEMS  
ASSORTMENT  
LIST 2019**

# TECE International

## Austria

**TECE Österreich GmbH**  
Betriebsring 27  
A - 2483 Ebreichsdorf  
Phone: +43 2254 207 02  
Fax: +43 2254 207 02 30  
info@tece.at  
www.tece.at

## Belarus

**IOOO TECE**  
Shchomyslitsa Soviet, Agogorodok,  
Ozertso, House 31, office 19  
BY - 223049 Minsk region  
Phone: +375 17 507 51 90  
Fax: +375 17 507 51 91  
info@teceby.com  
www.teceby.com

## Belgium

**TECE Belgium BVBA**  
Gitsbergsstraat 7E/unit 16  
B-8800 Roeselare Beveren  
Phone: +32 2 401 61 37  
Fax: +32 2 401 61 38  
info@tece.be  
www.tece.be

## China

**Suzhou TECE Plumbing Co., Ltd.**  
15A Shengquan Building,  
No. 28 Tanjiadu Road, Putuo District  
CN - 200063 Shanghai  
Phone: +86 21 32555030  
Fax: +86 21 32555021  
info@tece.cn  
www.tece.cn

## Croatia

**TECE d.o.o.**  
Fallerovo šetalište 16  
HR - 10000 Zagreb  
Phone: +38 513 079 000  
Fax: +38 513 079 048  
info@tece.hr  
www.tece.hr

## Czech Republic

**TECE Česká republika, s.r.o.**  
Voctářova 2449/5  
CZ - 180 00 Praha 8 - Libeň  
Phone: +420 271 342 240  
info@tece.cz  
www.tece.cz

## Estonia

**UAB TECE BALTIKUM Eesti filiaal**  
Mere pst. 8  
EST - 10111 Tallinn  
Phone: +372 6 781100  
info@tece.ee  
www.tece.ee

## France

**TECE France**  
185, rue Louise Labbé, Bat C  
69970 Chaponnay  
Phone: +33 437 453 810  
Fax: +33 437 454 110  
info@tece.fr  
www.tece.fr

## Germany

**TECE GmbH**  
Hollefeldstr. 57  
D-48282 Emsdetten  
Phone: +49 2572 928 0  
Fax: +49 2572 928 124  
info@tece.de  
www.tece.de

## Great Britain

**TECE GmbH**  
Sales office UK  
Priory Park - Chewton Mendip  
Bath, Somerset BA3 4NT  
Phone: +44 8450558200  
info@tece.co.uk  
www.tece.co.uk

## India

**TECE India Private Ltd.**  
G-3, Neel Madhav,  
Nr. Navneet Hospital,  
V.P. cross road, Mulund (west),  
IND - 400080 Mumbai Maharashtra  
Phone: +91 (22) 21676755  
Fax: +91 (22) 21676707  
info@tece.in  
www.tece.in

## Italy

**TECE Italia s.r.l.**  
Via dell'Industria, 24 A  
I - 41051 Castelnovo Rangone (MO)  
Phone: +39 0 595 334 011  
Fax: +39 0 595 334 010  
info@teceitalia.com  
www.tece.it

## Latvia

**UAB TECE Baltikum Latvia**  
Makusalas iela 41B-8  
LV - 1004 Ryga  
Phone: +371 67 21 18 02  
Fax: +371 67 21 18 05  
info@tece.lv  
www.tece.lv

## Lithuania

**UAB TECE Baltikum**  
Terminalo g. 10  
Biruliškių km. Kauno raj.  
LT - 54469 Kaunas  
Phone: +370 37 314 078  
Fax: +370 37 313 084  
info@tece.lt  
www.tece.lt

## Netherlands BV

**TECE Nederland GmbH**  
W.A. Scholtenweg 7 a  
NL - 9422 BR Smilde  
Phone: +31 592 415 074  
Fax: +31 592 414 628  
info@tece.nl  
www.tece.nl

## Norway

**TECE NORGE AS**  
Snipetjernveien 4  
1405 Langhus  
Phone: +47 0 36 54  
Fax: +47 66 82 33 30  
post@tece.no  
www.tece.no

## Poland

**TECE Sp. z o.o.**  
Wroclawska 61  
PL - 57-100 Strzelin  
Phone: +48 713 839 100  
Fax: +48 713 839 101  
tece@tece.pl  
www.tece.pl

## Romania

**TECE Romania SRL**  
Soseaua de Centura, No. 13a  
RO - 077040 Chiajna, Ilfov  
Phone: +40 21 203 47 08  
Fax: +40 31 030 47 10  
info@tece.ro  
www.tece.ro

## Russia

**OOO TECE Systems**  
"Riga Land", bld. A  
143421 Ilinskoe  
Krasnogorsky district Moscow region  
Phone: +7 495 988 07 94  
Fax: +7 495 988 07 95  
info@tece.ru  
www.tece.ru

## Singapore

**TECE South-East Asia Pte. Ltd.**  
65 Ubi Road 1, Oxley Bizhub 1, #04-25  
Singapore 408729  
Phone: +65 6743 4886/6743 7886  
sales@tece.com.sg  
www.tece.com.sg

## Spain

**TECE Haustechnik, S.L.**  
Enrique Mariñas, 28 bajo  
E - 15009 A Coruña  
Phone: +34 881 89 50 25  
Fax: +34 881 89 50 26  
info@tece.es  
www.tece.es

## Sweden

**TECE Sverige AS**  
Askims Verkstadsväg 7  
SE - 43634 Askim  
Phone: +46 317 61 05 00  
Fax: +46 317 61 05 01  
info@tece.se  
www.tece.se

## Switzerland

**TECE Schweiz AG**  
Gewerbstrasse 8  
CH - 8212 Neuhausen am Rheinfall  
Phone: +41 52 672 62 20  
Fax: +41 52 672 62 21  
info@tece.ch  
www.tece.ch

## Ukraine

**TOV TECE Ukraine**  
Williamsa Akademika str. 3/7, of.7  
UA - 03191 Kyiv  
Phone: +38 044 596 59 46  
Fax: +38 044 596 59 47  
info@tece.ua  
www.tece.ua

	Page
<b>Sanitary Systems</b>	
TECElux – The toilet terminal	5
TECE flush plates – The collection for toilet and urinal	25
Toilet flush plate	29
Urinal flush plate	55
TECE sanitary modules – Always the right solution	79
TECEprofil – Dry-wall modules	83
TECEconstruct – Modules	133
TECEbox – Brick-wall modules	143
 <b>Plumbing Framework</b>	
TECEprofil – Quick pre-wall installation with just three components	171
 <b>Drainage Systems</b>	
TECEDrainprofile – Beautiful, practical, recessed. The shower profile from TECE.	193
TECEDrainline – The floor-level shower with a system	203
TECEDrainpoint S – Drain range made of plastic	229
 <b>Annex</b>	
Exhibition samples	255
Article quick search	269
Assortment changes	280



Sanitary Systems

**TECElux  
TOILET  
TERMINAL**

ASSORTMENT LIST 2019



	Page
Product range overview	8
Toilet modules	10
Glass facings	13
Accessories	16
Spare parts	19

An overview of valid Declaration of Performance (DOP) is available on our website [www.tece.com](http://www.tece.com).

References to standards and installation recommendations are based on standards and building regulations currently applicable in Germany. Different or supplementary regulations may apply in other countries. Observe all local regulations.

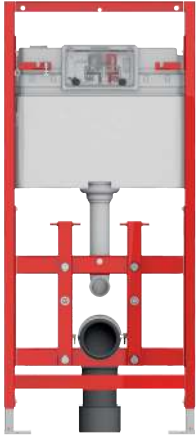
# TECElux – Product range overview

## How to order correctly:

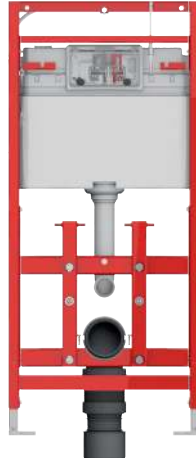
A TECElux terminal always consists of:

- (A) a TECElux module,
- (B) an upper glass facing and
- (C) a lower glass facing with notches for different power and water connections.

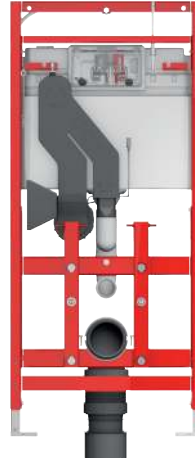
## A TECElux module



TECElux 100  
Order No. 9600100



TECElux 200  
Order No. 9600200

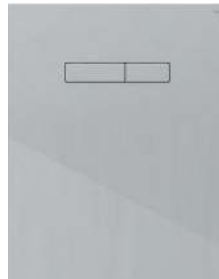


TECElux 400  
Order No. 9600400

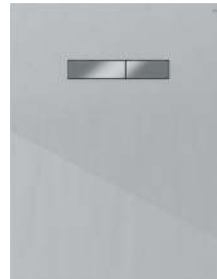
## B Upper glass facing



"sen-Touch" (w)  
Order No. 9650002  
"sen-Touch" (b)  
Order No. 9650003

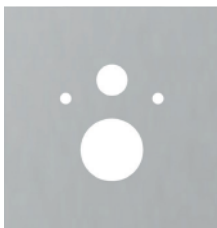


White buttons (w)  
Order No. 9650000  
Black buttons (b)  
Order No. 9650005

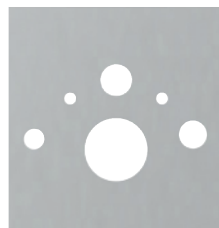


Bright chrome buttons (w)  
Order No. 9650001  
Bright chrome buttons (b)  
Order No. 9650004

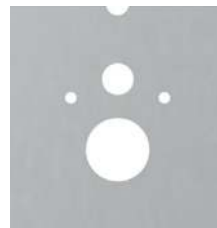
## C Lower glass facing



Standard toilet (w)  
Order No. 9650100  
Standard toilet (b)  
Order No. 9650105



Shower toilet (w)  
Order No. 9650101  
Order No. 9650103  
Order No. 9650104  
Shower toilet (b)  
Order No. 9650106  
Order No. 9650107  
Order No. 9650108



Shower toilet seat (w)  
Order No. 9650102










TECElux toilet terminal (w/b)

((w) = glass white, (b) = glass black



**C** Overview of lower facing and accessories for toilets, shower toilets seats and shower toilets

							
	9650100 (w) 9650105 (b)	9660001	9650101 (w) 9650106 (b)	9650102 (w)	9650103 (w) 9650107 (b)	9650104 (w) 9650108 (b)	9650109 (w) 9650110 (b)
Standard ceramics (connection dimension 180 mm)	X						
TOTO Neorest AC 2.0 * TOTO Neorest EW 2.0 *		X	X				
TOTO Washlet CF TOTO Washlet EK 2.0 (with side connections: TCF6632G#NW1) TOTO Washlet GL 2.0 (with side connections: TCF6532G#NW1) TOTO Washlet Giovannoni		X		X			
TOTO Washlet SG 2.0 TOTO Washlet EK 2.0 (with hidden connections: TCF6632C3GV1) TOTO Washlet GL 2.0 (with hidden connections: TCF6532C3GV1) TOTO Washlet RX		X				X	
Duravit D-Code		X		X			
Duravit Sensowash Starck Duravit Sensowash Slim					X		
Villeroy & Boch Viclean U		X		X			
Villeroy & Boch Viclean U+		X				X	
Villeroy & Boch Viclean L					X		
Geberit AquaClean 8000 Geberit AquaClean 8000 plus			X				
Geberit AquaClean 5000 Geberit AquaClean 5000 plus				X			
Geberit AquaClean Mera Geberit AquaClean Sela Geberit AquaClean Tuma						X	
Vitra V-Care						X	
Grohe Sensia Grohe Sensia Arena						X	
TECEone							X

\* TECElux 400 not required, because odour extraction is already included with TOTO Neorest.  
If "sen-Touch" upper facing is used, remote actuation of TOTO Neorest does not function.  
If manual actuation is used, order control cable (Order No. 9820259).

(w) = glass white, (b) = glass black

## TECElux – Toilet modules

### TECElux toilet module 100, installation height 1120 mm

Dry-wall construction element for fitting to TECEprofil section tubes or for installation in metal or wooden post-and-beam walls and as a pre-wall or corner module.

For TECElux glass facing with actuation unit and glass facing.

Completely pre-assembled unit, consisting of:

#### TECE flush-mounted cistern:

- Safety tank made of impact resistant plastic
- Cistern completely pre-assembled and sealed
- Corner valve and cistern connection pre-assembled
- Cistern connection with 1/2" female thread
- 10-litre tank volume; 6-litre pre-set standard flush volume; 9/7.5/4.5-litre flush volume setting option at any time; 3-litre partial flush volume with dual-flush system. Residual volume usable for immediate flush cleaning
- Insulated against condensation water
- Tested to DIN EN 14055
- Fittings group 1 to DIN 4109
- Low-noise hydraulic filling valve
- Including insert chute for cleaning tablets. Enables the insertion of cleaning tablets into the cistern, for fresh toilet flushing.

#### Module:

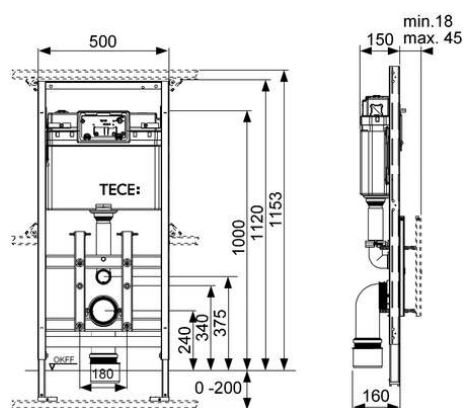
- Self-supporting mounting frame with powder-coated surface
- Depth-adjustable retainer for upper glass facing with actuation unit and lower glass facing
- Two adjustable supports for floor constructions between 0-200 mm
- Two M 12 retaining bolts and nuts
- Retainer for toilet ceramics with 180 mm spacing
- Toilet drain bend DN 90 with adapter DN 90/100, made of PP
- Adapter also suitable for horizontal installation
- DN 90 toilet connection set, including protective plugs
- Highly effective bare-wall protection
- Suitable for wall structures up to 45 mm
- Dimensions (H x W x D): 1120 x 500 x 160 mm

#### Please order separately:

- Upper glass facing with actuation unit
- Lower glass facing with toilet attachment
- Fitting for individual pre-wall, corner or wooden post-and-beam structures

#### Optional accessories:

TECElux ceramic-Air odour extraction upgrade set (9660000), only in conjunction with the sen-Touch upper glass facing with actuation unit.



Order No.	DU 1	DU 2	DU 3
9600100	1 pc.	6 pc.	12 pc.

### TECElux toilet module 200, installation height 1120 mm with subsequent height adjustment

Dry construction element for attaching to TECEprofil section tubes or to install in metal or wooden stud walls and as pre-wall or corner module.

For TECElux glass facing with actuation unit and glass facing, subsequent 8 cm manual height adjustment option.

Completely pre-assembled unit, consisting of:

#### TECE flush-mounted cistern:

- Safety tank made from impact-resistant plastic
- Cistern fully pre-assembled and sealed
- Corner valve and cistern connection pre-assembled
- Cistern connection with 1/2" outer thread
- 10 litre tank volume; 6 litre pre-set standard flush volume; option of setting a 9/7.5/4.5 litre flush at any time, 3 litre low-volume flush for dual-flush system. Remaining volume can be used for immediate cleaning flush.
- Insulated against condensation water
- Tested to DIN EN 14055
- Acoustic group 1 to DIN 4109
- Quiet hydraulic filling valve
- Including insert chute for cleaning tablets. Allows cleaning tablets to be put into the cistern for fresh, clean flushing.

#### Module:

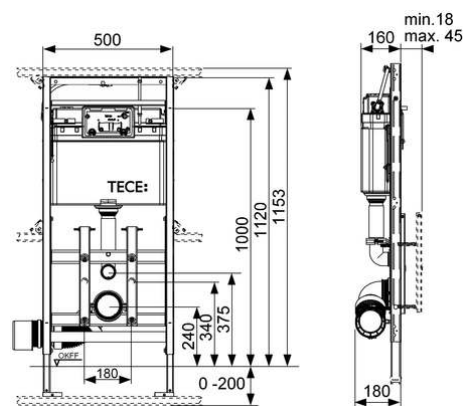
- Self-supporting installation frame with powder-coated surface
- Height-adjustable mount for upper glass facing with actuation unit and lower glass facing, also height adjustable by hand after installation
- Two adjustable foot supports for floor projections of 0-200 mm
- Two M12 retaining bolts and nuts
- Bracket for toilet ceramics with a 180 mm spacing
- Flexible DN 90 toilet drain bend, connection piece made of PE-HD (can be welded), including DN 90/100 adapter made of PP
- DN 90 toilet connection set, including protective plug
- Large bare-wall protection
- Ideal for wall mountings up to 45 mm
- Dimensions (H x W x D): 1120 x 500 x 180 mm

#### Please order separately:

- Upper glass facing with actuation unit
- Lower glass facing with toilet attachment
- Fitting for individual pre-wall, corner or wooden post-and-beam structures

#### Optional accessories:

TECElux ceramic-Air odour extraction upgrade set (9660000), only in conjunction with the sen-Touch upper glass facing with actuation unit.



Order No.	DU 1	DU 2	DU 3
9600200	1 pc.	6 pc.	12 pc.

## TECElux – Toilet modules

### TECElux toilet module 400, installation height 1120 mm, subsequent height adjustment, with odour extraction

Dry construction element for attaching to TECEprofil section tubes or to install in metal or wooden stud walls and as pre-wall or corner module.

For TECElux glass facing with actuation unit sen-Touch and glass facing, subsequent 8 cm manual height adjustment option, including "ceramic-Air" odour extraction.

Completely pre-assembled unit, consisting of:

TECE flush-mounted cistern:

- Safety tank made from impact-resistant plastic
- Cistern fully pre-assembled and sealed
- Corner valve and cistern connection pre-assembled
- Cistern connection with 1/2" outer thread
- 10 litre tank volume; 6 litre pre-set standard flush volume; option of setting a 9/7.5/4.5 litre flush at any time, 3 litre low-volume flush for dual-flush system. Remaining volume can be used for immediate cleaning flush.
- Insulated against condensation water
- Tested to DIN EN 14055
- Acoustic group 1 to DIN 4109
- Quiet hydraulic filling valve
- Including insert chute for cleaning tablets. Allows cleaning tablets to be put into the cistern for fresh, clean flushing.

Module:

- Self-supporting installation frame with powder-coated surface
- Height-adjustable mount for upper glass facing with actuation unit and lower glass facing, also height adjustable by hand after installation
- Two adjustable foot supports for floor projections of 0-200 mm
- Two M12 retaining bolts and nuts
- Bracket for toilet ceramics with a 180 mm spacing
- Flexible DN 90 toilet drain bend, connection piece made of PE-HD (can be welded), including DN 90/100 adapter made of PP
- DN 90 toilet connection set, including protective plug
- Large bare-wall protection
- Ideal for wall mountings up to 45 mm
- Dimensions (H x W x D): 1120 x 500 x 160 mm

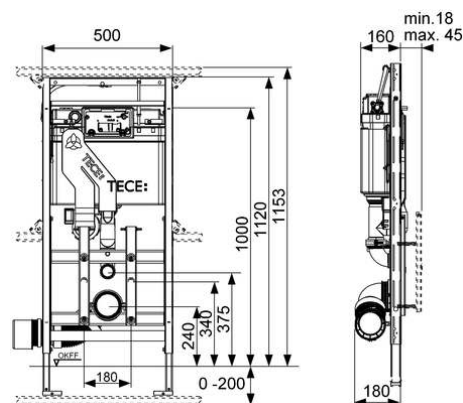
Quiet "ceramic Air" odour extraction system with long-lasting filter cartridge.

#### Note:

It is possible to install the "ceramic-Air" odour extraction system in all well-known toilet ceramics. However, in some ceramics which have a higher seat position or higher flushing rim, the flushing water remains standing in the flush pipe, resulting in the bowl becoming partially or completely full. The current "Technical information" offers an overview of the affected ceramics in which it is not possible to fit the odour extraction option.

#### Please order separately:

- sen-Touch upper glass facing with actuation unit
- lower glass facing
- Fitting for individual pre-wall, corner or wooden post-and-beam structures



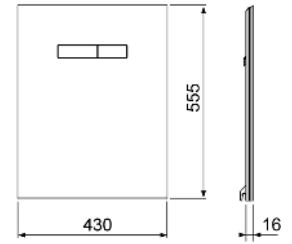
Order No.	DU 1	DU 2	DU 3
9600400	1 pc.	6 pc.	12 pc.

**TECElux glass facing with manual actuation unit**

Upper glass facing with actuation unit for TECElux module with two-spring mounted flush buttons. Incl. actuation rods and mounting material.

Installation only in conjunction with lower glass facing.

Dimensions (H x W x D): 555 x 430 x 16 mm



Color	Exhibition samples	Order No.	DU 1	DU 2
White glass, white buttons	Yes	9650000	1 pc.	20 pc.
White glass, bright chrome buttons	Yes	9650001	1 pc.	20 pc.
Black glass, black buttons	—	9650005	1 pc.	20 pc.
Black glass, bright chrome buttons	Yes	9650004	1 pc.	20 pc.

Information on exhibits is available in the section "Exhibition samples".

**TECElux glass facing with electronic sen-Touch actuation**

Upper glass facing with actuation unit for TECElux module with electronic sen-Touch actuation in combination with mounting material.

Incl. plug-in power pack (connection voltage 230 V) with dual-flush actuation motor.

Installation only in conjunction with the lower glass facing with toilet attachment.

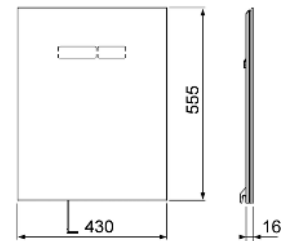
Dimensions (H x W x D): 555 x 430 x 16 mm

Function of the sen-Touch electronics:

The sensor detects when a person is approaching the toilet, and only illuminates the flush buttons then. The flush is actuated by a slight touch or without contact. It is possible to programme the sen-Touch electronics to suit your personal preferences.

Programmable functions:

- Sensor recognition range
- Illumination brightness
- Hygiene flush
- Subsequent odour extraction
- Intensity of odour extraction
- Cleaning function



Color	Exhibition samples	Order No.	DU 1	DU 2
White glass	Yes	9650002	1 pc.	10 pc.
Black glass	Yes	9650003	1 pc.	10 pc.

Information on exhibits is available in the section "Exhibition samples".

## TECElux – Glass facings

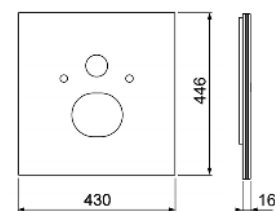
### TECElux glass facing for TECEone

Lower glass plate for combination with the TECEone toilet ceramics with shower function, including sound insulation kit and reinforced hoses for hot and cold water connection to conventional angle valves.

Dimensions (H x W x D): 446 x 430 x 16 mm

**Note:**

For combination with corner valves prepared on site.

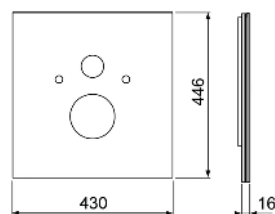


Color	Exhibition samples	Order No.	DU 1	DU 2
White glass	—	9650109	1 pc.	20 pc.
Black glass	—	9650110	1 pc.	20 pc.

### TECElux glass facing for standard toilet

Lower glass facing for combination with toilet ceramics 180 mm spacing, incl. sound insulation set.

Dimensions (H x W x D): 446 x 430 x 16 mm



Color	Exhibition samples	Order No.	DU 1	DU 2
White glass	Yes	9650100	1 pc.	20 pc.
Black glass	Yes	9650105	1 pc.	20 pc.

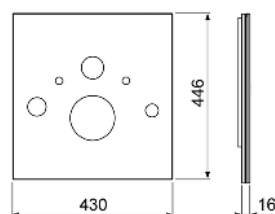
Information on exhibits is available in the section "Exhibition samples".

### TECElux glass facing for shower toilet (Toto, Geberit)

Lower glass facing for combination with shower toilet TOTO Neorest AC and EW as well as Geberit AquaClean 8000/8000 plus, incl. sound insulation kit and replacement reinforced pipe for cistern.

If a TOTO shower toilet is installed, please use shower toilet connection set (9660001).

Dimensions (H x W x D): 446 x 430 x 16 mm

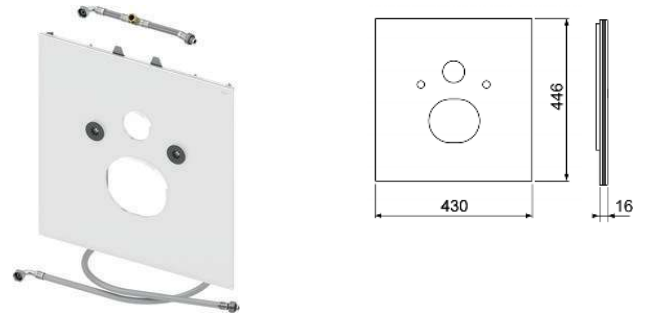


Color	Exhibition samples	Order No.	DU 1	DU 2
White glass	—	9650101	1 pc.	20 pc.
Black glass	—	9650106	1 pc.	20 pc.

**TECElux glass facing for shower toilet (Duravit etc.)**

Lower glass facing for combination with shower toilet Duravit SensoWash C as well as Slim or V & B ViClean L, incl. sound insulation kit, replacement reinforced hose for cistern, and long reinforced hose with connection.

Dimensions (H x W x D): 446 x 430 x 16 mm

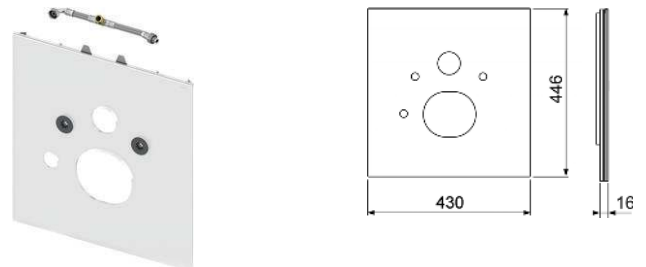


Color	Exhibition samples	Order No.	DU 1	DU 2
White glass	—	9650103	1 pc.	20 pc.
Black glass	—	9650107	1 pc.	20 pc.

**TECElux glass facing for shower toilet (Aquaclean Sela etc.)**

Lower glass facing for combination with Geberit Aquaclean Sela shower toilet, Mera and Tuma, Toto Washlet SG, Toto Washlet EK or GL with concealed connections, Grohe Sensia, V & B ViClean U+ or Laufen Riva incl. sound insulation kit and replacement reinforced hose for cistern.

Dimensions (H x W x D): 446 x 430 x 16 mm



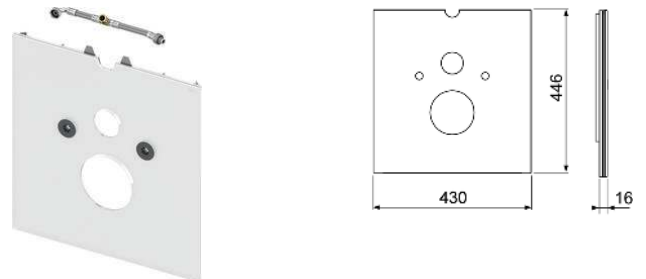
Color	Exhibition samples	Order No.	DU 1	DU 2
White glass	—	9650104	1 pc.	20 pc.
Black glass	—	9650108	1 pc.	20 pc.

**TECElux glass facing for shower toilet seat**

Lower glass facing for combination with shower toilet seat TOTO Washlet GL and EK, Giovannoni Washlet, V & B ViClean U or Geberit Aquaclean 5000 and 5000 plus, including sound insulation set and reinforced exchange hose for the cistern.

For assembly of a TOTO or V & B shower toilet seat, please use the shower toilet connection set (9660001).

Dimensions (H x B x T): 446 x 430 x 16 mm

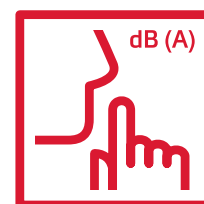
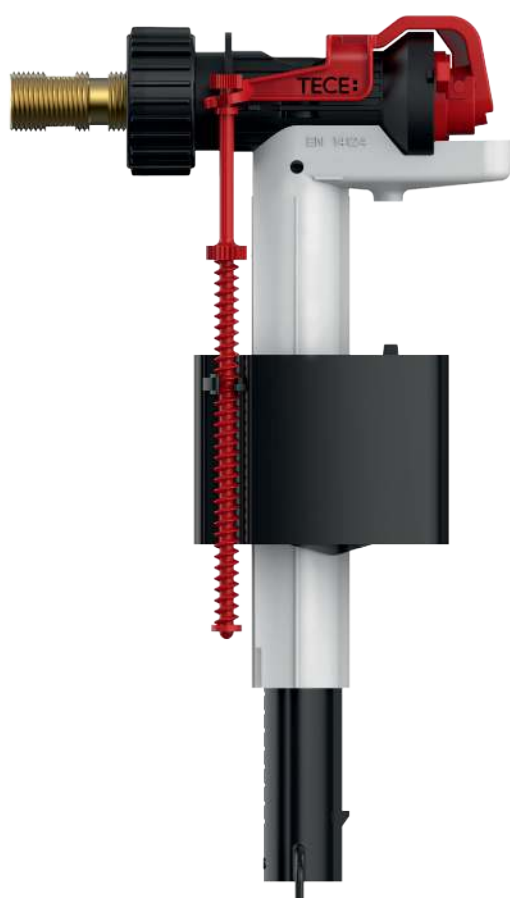


Color	Exhibition samples	Order No.	DU 1	DU 2
White glass	Yes	9650102	1 pc.	20 pc.

Information on exhibits is available in the section "Exhibition samples".

# The F 10 filling valve – for all conventional concealed and wall-mounted cisterns

The filling valve F 10 fits almost all standard concealed and wall-mounted cisterns with 3/8" thread. The filling valve fulfils the requirements of acoustic group 1 and is particularly quiet.



Compatible with manufacturer	Concealed cisterns
<b>TECE</b>	All TECE cisterns
<b>Geberit</b>	UP320 / UP300 / Sigma 12 cm
	UP200 / Kappa 15 cm
	UP100 / Delta 12 cm
	UP120 (Artline) / Kappa 15 cm
	UP130 / 110.800 / Twinline 12 cm
	UP170 / 110.700 / Twinline 8 cm
	UP700 / Unica
	Omega 12 cm
	NUVO / 110.620
	Monolith
<b>Grohe / DAL</b>	Grohe DAL 320, Grohe DAL 330
	Grohe DAL 336
	Grohe DAL 337, 6 I, 6-9 I, AV 1, GD 2
<b>Sanit</b>	Ineo Plus, Ineo Solo
	Ineo 80, Ineo, Ineo In
	CC-120-L-FO-2V-L
	982N, 983N, 988C
	980N, 995N
<b>Viega</b>	1H, 1L, 1S
	2H, 2L, 2S
	1C, 2C
<b>Friatec</b>	302003 (Friabloc, Friaset, Wimo)
	302006 (Friafix, Friaset, Wimo, Friaplan)
	302010 (Friabloc, Friaset, Wimo, Friaplan)
	352005 (Friabloc, Wimo, Friaplan)
<b>Wall-mounted cisterns</b>	with 3/8" threaded connector

## Product Highlights

- Suitable for all conventional Geberit, Grohe / DAL, Sanit, Viega, Friatec and other cisterns
- For concealed and wall-mounted cisterns
- Extremely quiet: Acoustic group I (DIN 4109)
- Approved in accordance with DIN EN 14124, WRAS / KIWA



**TECElux ceramic-Air odour extraction upgrade set**

Upgrade set for subsequent installation of ceramic-Air odour extraction for TECElux 100 or TECElux 200 toilet terminals.

Upgrade set consisting of:

- Odour extraction housing incl. fan and air outlet
- Filter cartridge
- Mounting material
- Flush pipe with connection for odour extraction
- Drain valve

**Note:**

It is possible to install ceramic-Air odour extraction in all well-known toilet ceramics. However, flushing water can remain in the flush pipe in some ceramics with a higher sitting position or rather a higher rim, and it is possible for the ceramic to fill partially or fully. The current "Technical information" offers an overview of the affected ceramics in which it is not possible to fit the odour extraction option.



<b>Order No.</b>	<b>DU 1</b>
9660000	1 pc.

**TECElux connection set for shower toilet**

Longer reinforced pipe with connection for TOTO Neorest AC and EW, TOTO Washlet GL and EK, TOTO Washlet Giovannoni and V & B viClean U.



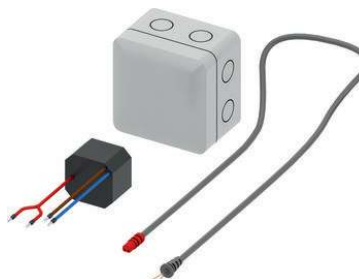
<b>Order No.</b>	<b>DU 1</b>
9660001	1 pc.

**TECElux connection set for electrical connection**

To install a permanent electrical connection for the sen-Touch glass facing in protection area II.

Connection set consisting of:

- Empty socket, protection class IP 44
- Transformer 230/12 V
- sen-Touch power cable



<b>Order No.</b>	<b>DU 1</b>
9660002	1 pc.

**TECE filling valve F 10 universal**

Universal filling valve for installation in all TECE cisterns as well as almost all standard concealed and wall-mounted cisterns from other manufacturers.

Product details:

- 3/8" metal connection thread
- Flow pressure 0.1-10 bar
- Minimum flow pressure 0.5 bar
- Adjustable fill height
- Adjustable outflow pipe
- Low-noise in accordance with acoustic group I (DIN 4109)
- Compact design
- Incl. adapter and attachment nut



<b>Order No.</b>	<b>DU 1</b>	<b>DU 2</b>	<b>DU 3</b>
9820353	1 pc.	10 pc.	240 pc.

## TECElux – Accessories

### TECE throttle set for flushing cisterns with an installation depth of 13 cm

To adapt the flushing pressure of the standard cisterns (installation depth 13 cm). Installation in valve seat of drain valve, diameter 46-28 mm.

Order No.

9820337\*

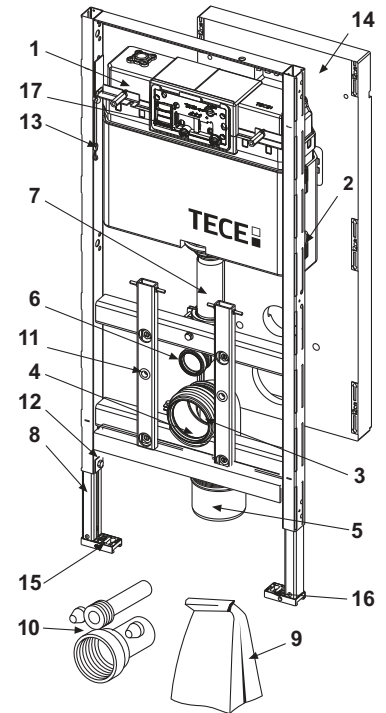
DU 1

1 pc.



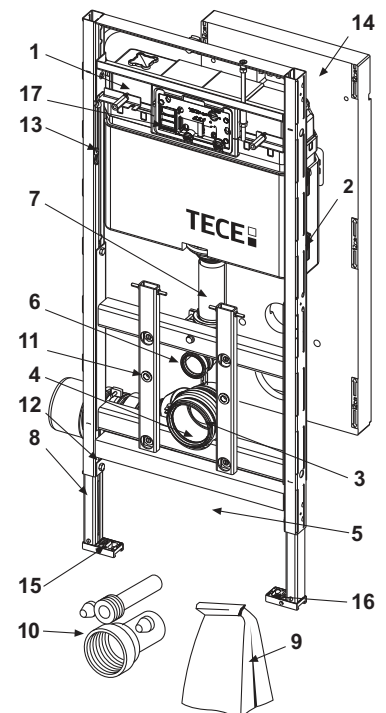
## 9600100 – TECElux toilet module 100, installation height 1120 mm

Pos.	Order No.	Designation	DU 1
1	9820103	Uni cistern 1120 mm	1 pc.
2	9820040	Assembly kit for Uni cistern	1 pc.
3	9820134	Toilet drain bend DN 90 (PP)	1 pc.
4	9820139	Seal for toilet drain bend/adapter	1 pc.
5	9820136	Adapter DN 90/DN 100 (PP)	1 pc.
6	9820015	Flush pipe seal	1 pc.
7	9820011	Flush pipe with O-ring, length 269 mm	1 pc.
8	9820335	C-section for module foot	1 pc.
9	9820043	By-pack for toilet module (mounting material, etc.)	1 pc.
10	9820057	Connection set DN 90 for toilet	1 pc.
11	9820071	Clinch nut	1 pc.
12	9820447	Foot brake with steel spring	1 pc.
13	9820329	Securing cable	1 pc.
14	9820330	Bare-wall protection	1 pc.
15	9820332	Module foot with toggle left	1 pc.
16	9820333	Module foot with toggle right	1 pc.
17	9240950*	Insert chute for cleaning tablets	1 pc.



## 9600200 – TECElux toilet module 200, installation height 1120 mm with subsequent height adjustment

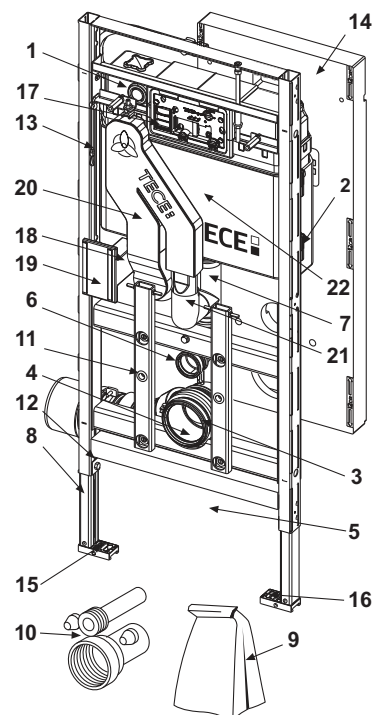
Pos.	Order No.	Designation	DU 1
1	9820103	Uni cistern 1120 mm	1 pc.
2	9820040	Assembly kit for Uni cistern	1 pc.
3	9820317	Toilet drain bend DN 90 for dry-wall construction, connection piece made of PE-HD	1 pc.
4	9820139	Seal for toilet drain bend/adapter	1 pc.
5	9820136	Adapter DN 90/DN 100 (PP)	1 pc.
6	9820015	Flush pipe seal	1 pc.
7	9820011	Flush pipe with O-ring, length 269 mm	1 pc.
8	9820335	C-section for module foot	1 pc.
9	9820043	By-pack for toilet module (mounting material, etc.)	1 pc.
10	9820057	Connection set DN 90 for toilet	1 pc.
11	9820071	Clinch nut	1 pc.
12	9820447	Foot brake with steel spring	1 pc.
13	9820329	Securing cable	1 pc.
14	9820330	Bare-wall protection	1 pc.
15	9820332	Module foot with toggle left	1 pc.
16	9820333	Module foot with toggle right	1 pc.
17	9240950*	Insert chute for cleaning tablets	1 pc.



## TECElux – Spare parts

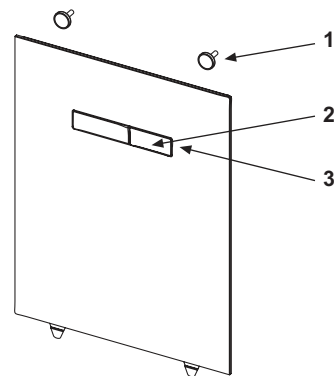
9600400 – TECElux toilet module 400, installation height 1120 mm, subsequent height adjustment, with odour extraction

Pos.	Order No.	Designation	DU 1
1	9820103	Uni cistern 1120 mm	1 pc.
2	9820040	Assembly kit for Uni cistern	1 pc.
3	9820317	Toilet drain bend DN 90 for dry-wall construction, connection piece made of PE-HD	1 pc.
4	9820139	Seal for toilet drain bend/adapter	1 pc.
5	9820136	Adapter DN 90/DN 100 (PP)	1 pc.
6	9820015	Flush pipe seal	1 pc.
7	9820011	Flush pipe with O-ring, length 269 mm	1 pc.
8	9820335	C-section for module foot	1 pc.
9	9820043	By-pack for toilet module (mounting material, etc.)	1 pc.
10	9820057	Connection set DN 90 for toilet	1 pc.
11	9820071	Clinch nut	1 pc.
12	9820447	Foot brake with steel spring	1 pc.
13	9820329	Securing cable	1 pc.
14	9820330	Bare-wall protection	1 pc.
15	9820332	Module foot with toggle left	1 pc.
16	9820333	Module foot with toggle right	1 pc.
17	9240950*	Insert chute for cleaning tablets	1 pc.
18	9820301	Filter cartridge	1 pc.
19	9820300	Air outlet	1 pc.
20	9820311	ceramic-Air odour extraction	1 pc.
21	9820350	O-ring odour extraction	1 pc.
22	9820302	TECElux drain valve	1 pc.



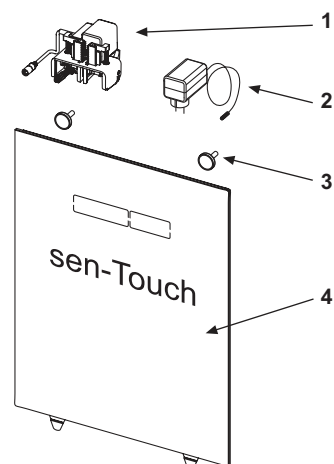
### TECElux glass facing with manual actuation unit

Pos.	Order No.	Designation	DU 1
1	9820287	Adjusting magnets	1 pc.
2	9820288	White button set	1 pc.
	9820289	Bright chrome button set	1 pc.
3	9820290	Button set accessories	1 pc.



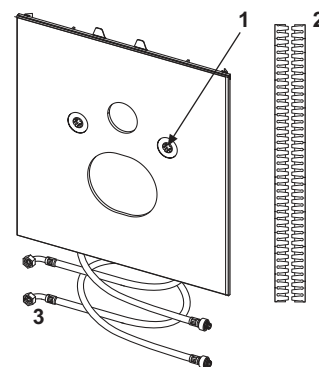
### TECElux glass facing with electronic sen-Touch actuation

Pos.	Order No.	Designation	DU 1
1	9820284	actuation motor	1 pc.
2	9820286	Power supply plug	1 pc.
3	9820287	Adjusting magnets	1 pc.
4	9820285	sen-Touch glass facing (white)	1 pc.



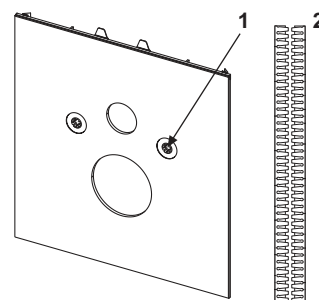
TECElux glass facing for TECEone

Pos.	Order No.	Designation	DU 1
1	9820291	Glass protection caps	1 pc.
2	9820351	Sound insulation tape	1 pc.
3	9820425	Reinforced hose for TECEone	1 pc.



TECElux glass facing for standard toilet

Pos.	Order No.	Designation	DU 1
1	9820291	Glass protection caps	1 pc.
2	9820351	Sound insulation tape	1 pc.



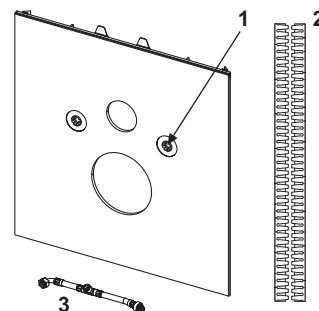
TECElux glass facing for shower toilet (Toto, Geberit)

TECElux glass facing for shower toilet (Duravit etc.)

TECElux glass facing for shower toilet (Aquaclean Sela etc.)

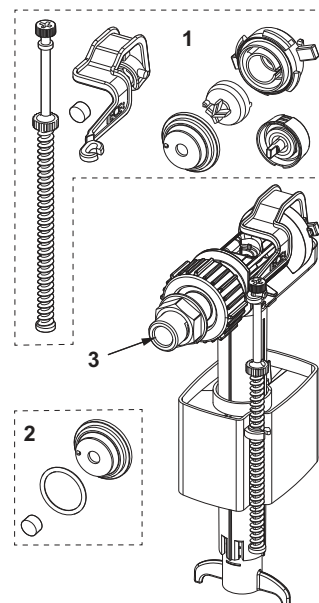
9650102 – TECElux glass facing for shower toilet seat

Pos.	Order No.	Designation	DU 1
1	9820291	Glass protection caps	1 pc.
2	9820351	Sound insulation tape	1 pc.
3	9880036	Water connection for shower toilet	1 pc.



9820353 – TECE filling valve F 10 universal

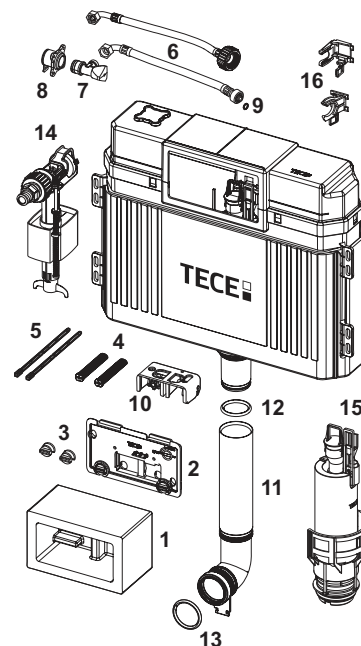
Pos.	Order No.	Designation	DU 1
1	9820382	Filling valve F 10 valve lever set	1 pc.
2	9820383	Filling valve F 10 sealing kit	1 pc.
3	9820398	Filling valve F 10 threaded connection 3/8"	1 pc.



# TECElux – Spare parts

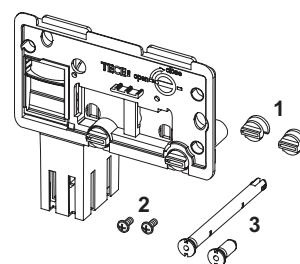
## 9820103 – TECE Uni cistern 1120 mm

Pos.	Order No.	Designation	DU 1
1	9820027	Bare-wall protection system	1 pc.
2	9820017	Splash guard, complete	1 pc.
3	9820018	Clamping screws	1 pc.
4	9820019	Attaching rods	1 pc.
5	9820022	Actuation rods	1 pc.
6	9820026	Reinforced hose	1 pc.
	9820374	Reinforced hose M 30	1 pc.
7	9820013	Corner valve	1 pc.
8	9820012	Cistern connection	1 pc.
9	9820025	O-ring	1 pc.
10	9820016	Actuation block	1 pc.
11	9820011	Flush pipe with O-ring, length 269 mm	1 pc.
	9820331	Extra long flush pipe, length 369 mm	1 pc.
12	9820014	O-ring	1 pc.
13	9820015	Flush pipe seal	1 pc.
14	9820353	Filling valve F 10 universal	1 pc.
15	9820223	Drain valve A2	1 pc.
16	9820372	Filling valve holder for Uni cistern (17 mm, 3/8")	1 pc.
	9820373	Filling valve holder for Uni cistern (27 mm, M 30)	1 pc.



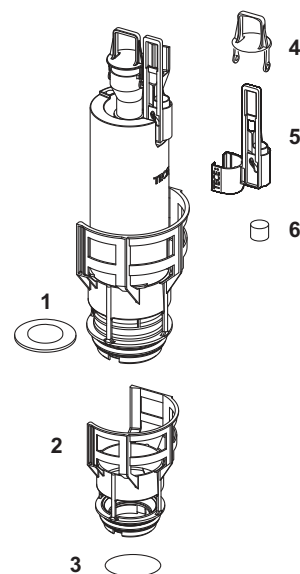
## 9240950 – TECE insert chute for cleaning tablets

Pos.	Order No.	Designation	DU 1
1	9820191	Clamping screws set	1 pc.
2	9820263	Fastening screw	1 pc.
3	9820349	Guide rods for insert chute	1 pc.



## 9820223 – TECE drain valve A 2

Pos.	Order No.	Designation	DU 1
1	9820233	Gasket (drain valve)	1 pc.
2	9820231	Valve seat with standard throttle (ø 42 mm)	1 pc.
3	9820005	O-ring (valve seat)	1 pc.
4	9820222	Draw eyelet	1 pc.
5	9820229	Pull rod for electrical actuation	1 pc.
6	9820420	Additional weight small pull rod	<b>NEW</b> 1 pc.



**TECEprofil water connection for shower toilet**

Replacement reinforced hose with integrated Tee for Uni cisterns.



<b>Order No.</b>	<b>DU 1</b>
9880036	1 pc.







Sanitary Systems

# FLUSH PLATES

ASSORTMENT LIST 2019



	Page
Toilet flush plate	29
Urinal flush plate	55

References to standards and installation recommendations are based on standards and building regulations currently applicable in Germany. Different or supplementary regulations may apply in other countries. Observe all local regulations.



Sanitary Systems

# TOILET FLUSH PLATES

ASSORTMENT LIST 2019



	Page
TECElux Mini	32
TECEsquare	34
TECEloop	36
TECEsolid	39
TECEplanus	40
TECEplanus electronic flushing systems	41
TECEnow	45
TECEambia	47
TECEbase	48
Accessories	49
Spare parts	50

References to standards and installation recommendations are based on standards and building regulations currently applicable in Germany. Different or supplementary regulations may apply in other countries. Observe all local regulations.

# Toilet flush plate – TECElux Mini

## TECElux Mini flush plate with electronic touchless actuation

Electronic flush plate with touch-free actuation for TECE standard cisterns (installation depth 13 cm) with front actuation and actuation height of approx. 1 m (centre flush plate). Flat glass actuation including mounting materials and actuation motor for dual-flush. Suitable for flush-mounted installation. Compatible with insert chute for cleaning tablets.

Dimensions: (W x H x D): 220 x 150 x 8 mm

### Function of the electronics:

The sensor detects when a person is approaching the toilet, and only illuminates the flush buttons then. The flush actuation is touch-free or by touching the button area. By programming with the TECElux Mini programming remote control (order no. 9240971), the electronics can be adjusted to individual requirements.

### Programmable functions (with programming remote control):

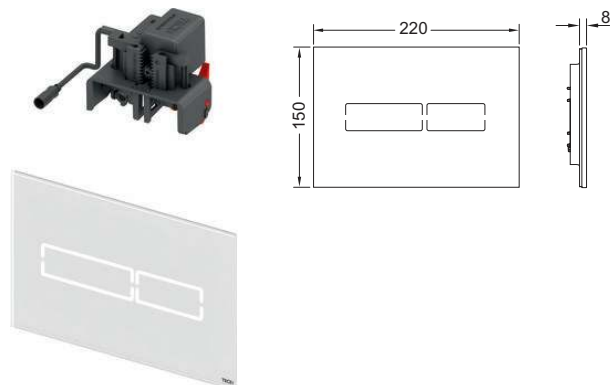
- Sensor recognition field
- Hygiene flush
- Actuation time
- Safety flush
- Display illumination brightness

### Please order separately:

- TECElux mini transformer, including power cable (Order No. 9240970)
- Toilet installation frame for flush-mounted installation
- Programmable remote control (Order No. 9240971)

### Note:

TECElux Mini requires a power connection.



Color	Exhibition samples	Order No.	DU 1
White glass	Yes	9240960	1 pc.
Black glass	Yes	9240961	1 pc.

Information on exhibits is available in the section "Exhibition samples".

## TECElux Mini transformer incl. connection cable

Transformer for electrical connection of the TECElux Mini flush plate (approx. 1 m central flush plate), one flush plate can be connected per transformer. For mounting in deep cavity wall sockets with a diameter of 60 mm and depth of 63 mm. Electrical connection voltage 230 V (100-240 V, 50-60 Hz), output 12 V DC.



Order No.	DU 1
9240970	1 pc.

## TECElux Mini anti-theft device

Concealed screw connection for anti-theft protection of TECElux Mini.



Order No.	DU 1
9820354	1 pc.



## TECElux Mini programming remote control

Remote control for programming the TECElux mini electronics. Programmable functions: Recognition field, hygiene flush, actuation time, safety flush and display lighting brightness.



<b>Order No.</b>	<b>DU 1</b>
9240971	1 pc.

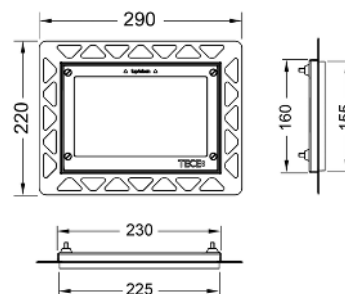
## Installation frame for flush-mounted installation

Installation kit for flush-mounted installation of toilet flush plates TECEloop/ TECEsquare glass, TECElux Mini as well as TECEnow. Depth-adjustable tile frame for wall coverings from 5-18 mm (from 18-33 mm with adjustment bolt - Order No. 9820181). Including disassembly tool for flush plate.

**Installation frame required during shell assembly!**

### Caution:

Suitable for dry-wall toilet modules; also for brick-wall constructions in combination with the TECEbox bare-wall protection system (order no. 9030029). To obtain a clean edge, please use a water jet cutter to prepare the tile cut-out.

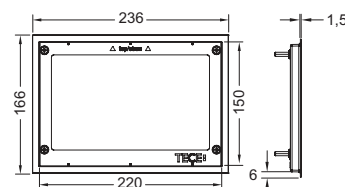


Color	Exhibition samples	Order No.	DU 1	DU 2
White	Yes	9240646	1 pc.	20 pc.
Black	Yes	9240647	1 pc.	20 pc.
Bright chrome	Yes	9240649	1 pc.	20 pc.
Gold plated	—	9240648	1 pc.	20 pc.
Metal bright	—	9240644	1 pc.	20 pc.

Information on exhibits is available in the section "Exhibition samples".

## Decorative toilet frame for toilet installation frame

Metal decorative frame for combination with toilet installation frame. To cover uneven tile edges. Depth-adjustable decorative frame for wall coverings from 5-18 mm (from 18-33 mm with adjustment bolt - Order No. 9820181).

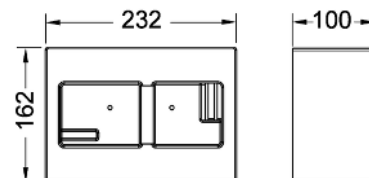


Color	Order No.	DU 1	DU 2
Bright	9240645	1 pc.	10 pc.
Brushed	9240643	1 pc.	10 pc.

## TECEbox brick-wall protection system for flush-mounted installation

Larger bare-wall protection system for brick-wall construction to prepare the installation of the installation frame for toilet flush plates. Suitable for use with all TECEbox toilet modules.

**Wall thickness at least 30 mm!**



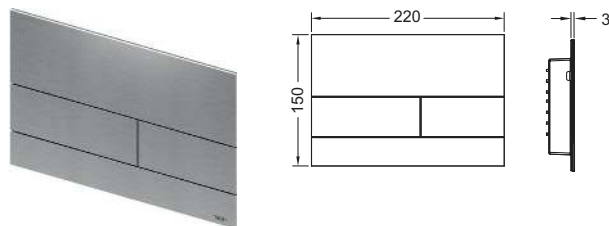
<b>Order No.</b>	<b>DU 1</b>
9030029	1 pc.

# Toilet flush plate – TECESquare

## TECESquare II metal toilet flush plate for dual-flush system

Flush plate for TECE cisterns, for front or top actuation. Extra-flat metal flush plate with two spring-mounted actuation rocker buttons. Incl. actuation rods, mounting material and disassembly tool. Compatible with insert chute for cleaning tablets.

Dimensions (W x H x D): 220 x 150 x 3 mm



**Product supplied with toilet installation frame integrated!**

**Note:**

Ensure minimum wall finish of 30 mm!

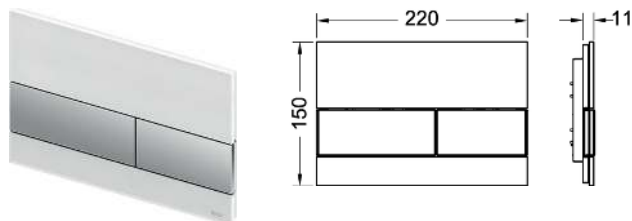
Color	Exhibition samples	Order No.	DU 1	DU 2
Brushed stainless steel (with anti-fingerprint)	Yes	9240830	1 pc.	10 pc.
Bright chrome	Yes	9240831	1 pc.	10 pc.
Bright white	Yes	9240832	1 pc.	10 pc.
Matte white	Yes	9240834	<b>NEW</b> 1 pc.	10 pc.
Matte black	Yes	9240833	1 pc.	10 pc.

Also available in other colours on request. Information on exhibition samples can be found in the "Exhibition samples" section.

## TECESquare glass toilet flush plate for dual-flush system

Flush plate for TECE cisterns, for front or top actuation. Flat glass flush plate with two spring-mounted actuation rocker buttons. Suitable for flush-mounted installation in combination with toilet installation frame for flush-mounted install (e.g. order no. 9240649). Compatible with insert chute for cleaning tablets.

Dimensions (W x H x D): 220 x 150 x 11 mm



**Toilet installation frame for flush-mounted installation not contained in the scope of delivery; please order separately!**

Color	Exhibition samples	Order No.	DU 1	DU 2
White glass, white buttons	Yes	9240800	1 pc.	10 pc.
White glass, brushed stainless steel look buttons (with anti-fingerprint)	Yes	9240801	1 pc.	10 pc.
White glass, bright chrome buttons	Yes	9240802	1 pc.	10 pc.
Mint green glass, white buttons	—	9240803	1 pc.	10 pc.
Mint green glass, brushed stainless steel look buttons (with anti-fingerprint)	Yes	9240804	1 pc.	10 pc.
Mint green glass, bright chrome buttons	—	9240805	1 pc.	10 pc.
Black glass, brushed stainless steel look buttons (with anti-fingerprint)	Yes	9240806	1 pc.	10 pc.
Black glass, bright chrome buttons	Yes	9240807	1 pc.	10 pc.
Black glass, gold buttons	—	9240808	1 pc.	10 pc.
Black glass, black buttons	Yes	9240809	1 pc.	10 pc.

Information on exhibits is available in the section "Exhibition samples".

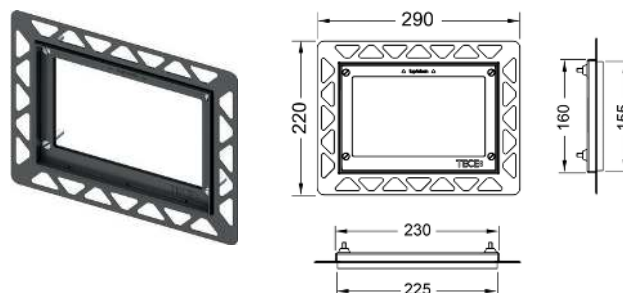
## Installation frame for flush-mounted installation

Installation kit for flush-mounted installation of toilet flush plates TECEloop/ TECESquare glass, TECElux Mini as well as TECEnow. Depth-adjustable tile frame for wall coverings from 5-18 mm (from 18-33 mm with adjustment bolt - Order No. 9820181). Including disassembly tool for flush plate.

**Installation frame required during shell assembly!**

### Caution:

Suitable for dry-wall toilet modules; also for brick-wall constructions in combination with the TECEbox bare-wall protection system (order no. 9030029). To obtain a clean edge, please use a water jet cutter to prepare the tile cut-out.



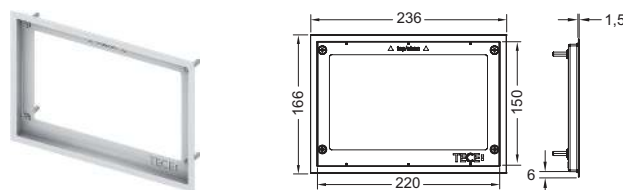
Color	Exhibition samples	Order No.	DU 1	DU 2
White	Yes	9240646	1 pc.	20 pc.
Black	Yes	9240647	1 pc.	20 pc.
Bright chrome	Yes	9240649	1 pc.	20 pc.
Gold plated	—	9240648	1 pc.	20 pc.
Metal bright	—	9240644	1 pc.	20 pc.

Information on exhibits is available in the section "Exhibition samples".

## Decorative toilet frame for toilet installation frame

Metal decorative frame for combination with toilet installation frame. To cover uneven tile edges. Depth-adjustable decorative frame for wall coverings from 5-18 mm (from 18-33 mm with adjustment bolt - Order No. 9820181).

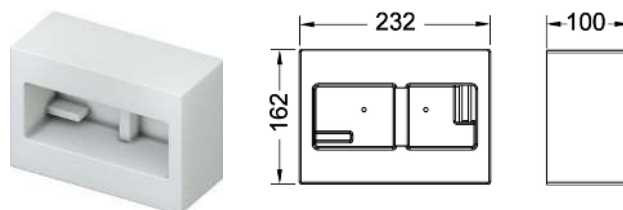
Color	Order No.	DU 1	DU 2
Bright	9240645	1 pc.	10 pc.
Brushed	9240643	1 pc.	10 pc.



## TECEbox brick-wall protection system for flush-mounted installation

Larger bare-wall protection system for brick-wall construction to prepare the installation of the installation frame for toilet flush plates. Suitable for use with all TECEbox toilet modules.

**Wall thickness at least 30 mm!**



Order No.	DU 1
9030029	1 pc.

# Toilet flush plate – TECEloop

## TECEloop modular system

The TECEloop modular system can be used to individually combine the covers and push-buttons. The choice of twelve (glass) cover colours and a slate slab as well as eight different push-button colours produces a multitude of combinations. By harmonising the cover colours to the colours of manufacturers, such as Alape, EMCO or Burgbad the bathroom can be designed harmoniously.

In combination with the installation frame for toilet flush plates suitable for flush mounting.

Modular system consisting of:

- Actuation unit with push-button for TECEloop toilet flush plate
- Cover for TECEloop toilet flush plate

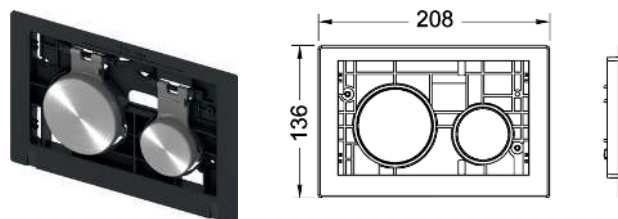
Compatible with insert chute for cleaning tablets.



## TECEloop actuation unit for toilet flush plate

Actuation unit with buttons for TECEloop flush plates for front or top actuation, for combination with the cover of the TECEloop modular system.

Cover not contained in the scope of delivery.



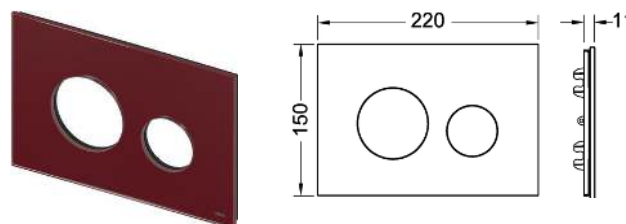
Color	Exhibition samples	Order No.	DU 1	DU 2
White buttons	Yes	9240663	1 pc.	10 pc.
White buttons antibac	—	9240664	1 pc.	10 pc.
Matte chrome buttons	Yes	9240665	1 pc.	10 pc.
Bright chrome buttons	Yes	9240666	1 pc.	10 pc.
Black buttons	—	9240667	1 pc.	10 pc.
Gold buttons	—	9240668	1 pc.	10 pc.
Brushed round stainless steel look buttons (with anti-fingerprint)	Yes	9240669	1 pc.	10 pc.
Pergamon buttons	—	9240684	1 pc.	10 pc.

Information on exhibits is available in the section "Exhibition samples".

## TECEloop cover for toilet flush plate

Cover for TECEloop flush plates for front or top actuation, for combination with the actuation unit of the TECEloop modular system.

Actuation unit not contained in the scope of delivery.



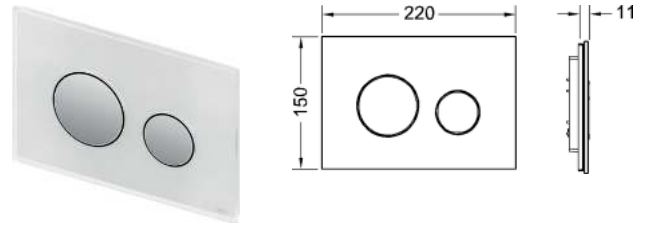
Color	Suitable for	Exhibition samples	Order No.	DU 1	DU 2
Mint green glass	-	—	9240670	1 pc.	10 pc.
White glass	-	—	9240671	1 pc.	10 pc.
Asis green glass	Emco	Yes	9240672	1 pc.	10 pc.
Orange glass	-	—	9240673	1 pc.	10 pc.
Black glass	Alape / Emco	—	9240674	1 pc.	10 pc.
Slate slab	-	Yes	9240675*	1 pc.	10 pc.
Silver-grey glass	Alape	Yes	9240676	1 pc.	10 pc.
Blue-grey glass	-	—	9240677	1 pc.	10 pc.
Coffee brown glass	-	Yes	9240678	1 pc.	10 pc.
Ruby red glass	Alape	Yes	9240679	1 pc.	10 pc.
Ivory glass	Alape	—	9240680	1 pc.	10 pc.
Mirror	-	—	9240683	1 pc.	10 pc.
Grass green glass	Burgbad	Yes	9240685	1 pc.	10 pc.

Information on exhibits is available in the section "Exhibition samples".

## TECEloop toilet flush plate for dual-flush system

Flush plate for TECE cisterns, for front or top actuation. Flat glass flush plate with two spring-mounted flush buttons. Suitable for flush-mounted installation in combination with toilet installation frame (e.g. 9240649). Compatible with insert chute for cleaning tablets.

Dimensions (W x H x D): 220 x 150 x 11 mm



Toilet installation frame not contained in the scope of delivery.

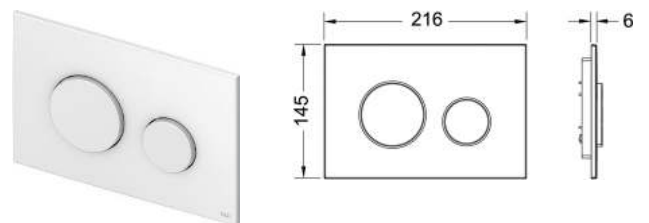
Color	Exhibition samples	Order No.	DU 1	DU 2
White glass, white buttons	Yes	9240650	1 pc.	10 pc.
White glass, matte chrome buttons	Yes	9240659	1 pc.	10 pc.
White glass, bright chrome buttons	Yes	9240660	1 pc.	10 pc.
Mint green glass, white buttons	Yes	9240651	1 pc.	10 pc.
Mint green glass, matte chrome buttons	Yes	9240652	1 pc.	10 pc.
Mint green glass, bright chrome buttons	Yes	9240653	1 pc.	10 pc.
Black glass, white buttons	Yes	9240654	1 pc.	10 pc.
Black glass, matte chrome buttons	Yes	9240655	1 pc.	10 pc.
Black glass, bright chrome buttons	Yes	9240656	1 pc.	10 pc.
Black glass, black buttons	Yes	9240657	1 pc.	10 pc.
Black glass, gold buttons	Yes	9240658	1 pc.	10 pc.

Information on exhibits is available in the section "Exhibition samples".

## TECEloop plastic toilet flush plate for dual-flush system

Flush plate for TECE cisterns, for front or top actuation. Extremely flat plastic flush plate with two spring-mounted buttons. Compatible with insert chute for cleaning tablets.

Dimensions (W x H x D): 216 x 145 x 6 mm



Color	Exhibition samples	Order No.	DU 1	DU 2
White	Yes	9240600	1 pc.	10 pc.
White, antibacterial	—	9240640	1 pc.	10 pc.
White, bright chrome buttons	Yes	9240627	1 pc.	10 pc.
Pergamon	Yes	9240601	1 pc.	10 pc.
Matte chrome	Yes	9240625	1 pc.	10 pc.
Bright chrome	Yes	9240626	1 pc.	10 pc.

Also available in other colours on request. Information on exhibition samples can be found in the "Exhibition samples" section.

# Toilet flush plate – TECEloop

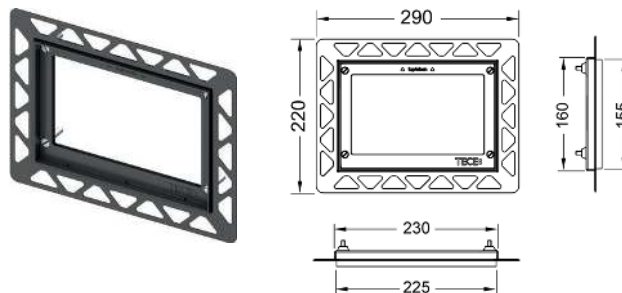
## Installation frame for flush-mounted installation

Installation kit for flush-mounted installation of toilet flush plates TECEloop/ TECEsquare glass, TECElux Mini as well as TECEnow. Depth-adjustable tile frame for wall coverings from 5-18 mm (from 18-33 mm with adjustment bolt - Order No. 9820181). Including disassembly tool for flush plate.

**Installation frame required during shell assembly!**

### Caution:

Suitable for dry-wall toilet modules; also for brick-wall constructions in combination with the TECEbox bare-wall protection system (order no. 9030029). To obtain a clean edge, please use a water jet cutter to prepare the tile cut-out.

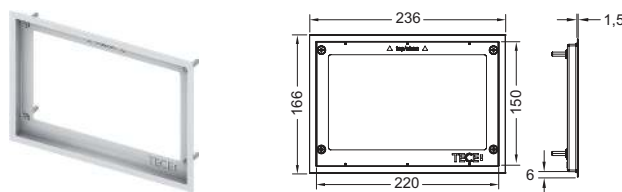


Color	Exhibition samples	Order No.	DU 1	DU 2
White	Yes	9240646	1 pc.	20 pc.
Black	Yes	9240647	1 pc.	20 pc.
Bright chrome	Yes	9240649	1 pc.	20 pc.
Gold plated	—	9240648	1 pc.	20 pc.
Metal bright	—	9240644	1 pc.	20 pc.

Information on exhibits is available in the section "Exhibition samples".

## Decorative toilet frame for toilet installation frame

Metal decorative frame for combination with toilet installation frame. To cover uneven tile edges. Depth-adjustable decorative frame for wall coverings from 5-18 mm (from 18-33 mm with adjustment bolt - Order No. 9820181).

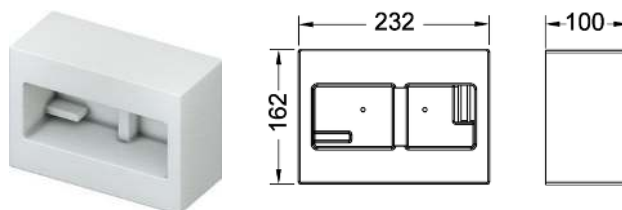


Color	Order No.	DU 1	DU 2
Bright	9240645	1 pc.	10 pc.
Brushed	9240643	1 pc.	10 pc.

## TECEbox brick-wall protection system for flush-mounted installation

Larger bare-wall protection system for brick-wall construction to prepare the installation of the installation frame for toilet flush plates. Suitable for use with all TECEbox toilet modules.

**Wall thickness at least 30 mm!**

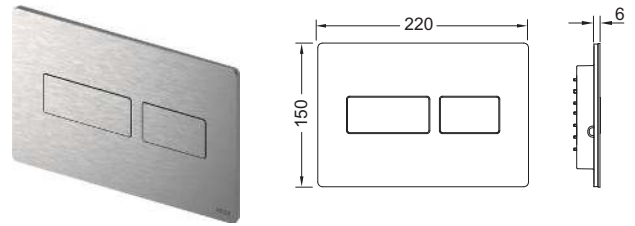


Order No.	DU 1
9030029	1 pc.

## TECESolid toilet flush plate for dual-flush system NEW

Flush plate for TECE cisterns, for front or top actuation. Very flat stainless steel flush plate with rubber inlays on flush buttons, incl. actuating rods and mounting material. Flush plate covertly screwable. Compatible with insert chute for cleaning tablets

Dimensions (W x H x D): 220 x 150 x 6 mm



Color	Exhibition samples	Order No.		DU 1	DU 2
Bright white	Yes	9240432*	NEW	1 pc.	10 pc.
Matte white	—	9240433*	NEW	1 pc.	10 pc.
Brushed stainless steel	—	9240430*	NEW	1 pc.	10 pc.
Brushed stainless steel (with anti-fingerprint)	Yes	9240434*	NEW	1 pc.	10 pc.
Bright chrome	Yes	9240431*	NEW	1 pc.	10 pc.

Information on exhibits is available in the section "Exhibition samples".

## TECESolid concealed screws NEW

Concealed screw connection for anti-theft protection of TECESolid flush plate, includes assembly tool.

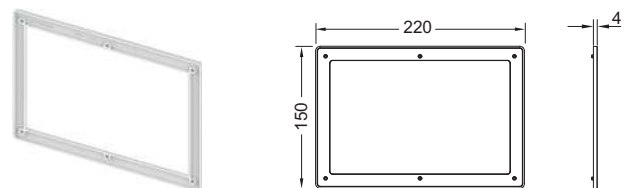
Order No.		DU 1
9240442*	NEW	1 pc.



## TECESolid spacing frame NEW

For combination with the TECESolid flush plate, usable as intermediate spacing frame.

Dimensions (W x H x D): 220 x 150 x 4 mm



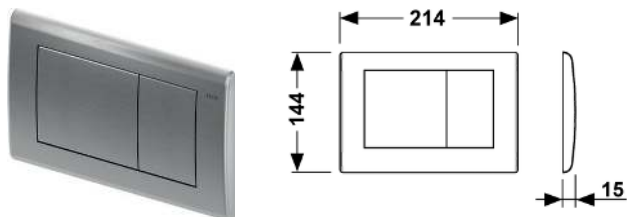
Color	Order No.		DU 1	DU 2
White	9240440*	NEW	1 pc.	10 pc.
grey	9240441*	NEW	1 pc.	10 pc.

# Toilet flush plate – TECEplanus

## TECEplanus toilet flush plate for dual-flush system

Stainless steel flush plate for TECE cisterns, for front or top actuation, attached with concealed screws. Stop collar with rubber inlays on both sides. Incl. actuating rods and mounting material. Compatible with insert chute for cleaning tablets.

Dimensions (W x H x D): 214 x 144 x 15 mm



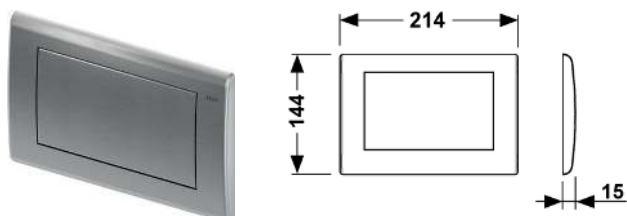
Color	Exhibition samples	Order No.	DU 1	DU 2
Silky matte white	Yes	9240322	1 pc.	10 pc.
Bright white	Yes	9240324	1 pc.	10 pc.
Brushed stainless steel	Yes	9240320	1 pc.	10 pc.
Bright chrome	Yes	9240321	1 pc.	10 pc.
Antique copper	Yes	9240365	1 pc.	10 pc.
Old brass	Yes	9240366	1 pc.	10 pc.

Also available in other colours on request. Information on exhibition samples can be found in the "Exhibition samples" section.

## TECEplanus toilet flush plate for single-flush system

Stainless steel flush plate for TECE cisterns, for front or top actuation, attached with concealed screws. Stop collar with rubber inlays on both sides. Incl. actuation rod and mounting material. Compatible with insert chute for cleaning tablets.

Dimensions (W x H x D): 214 x 144 x 15 mm



Color	Exhibition samples	Order No.	DU 1	DU 2
Silky matte white	Yes	9240312	1 pc.	10 pc.
Bright white	Yes	9240314	1 pc.	10 pc.
Brushed stainless steel	Yes	9240310	1 pc.	10 pc.
Bright chrome	Yes	9240311	1 pc.	10 pc.

Also available in other colours on request. Information on exhibition samples can be found in the "Exhibition samples" section.



# Toilet flush plate – TECEplanus electronic flushing systems

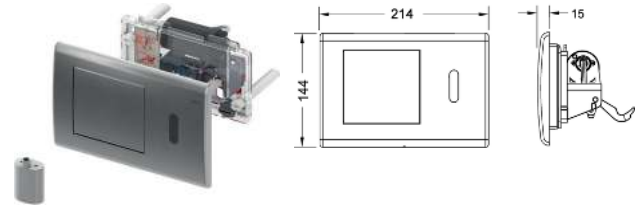
## TECEplanus toilet electronics with IR sensor, 6 V battery

For touch-free flush actuation of TECE cisterns. Suitable for all TECE cisterns (installation depth 13 cm) with actuation from the front and actuation height of approx. 1 m.

Consisting of:

- Autofocus infra-red sensor with two recognition areas for the recognition of standing or sitting persons
- Flush plate made of stainless steel for optional manual flush triggering
- Water-proof battery compartment including lithium battery, type 2CR5, 6 VDC
- Electric lifting device with servo-motor completely mounted on the actuation block
- Pre-set flush volume 4.5/6/7.5 or 9 litres
- Actuation rod and mounting materials
- Programming key
- Hygiene function can be configured

Compatible with insert chute for cleaning tablets.



Color	Order No.	DU 1
Brushed stainless steel	9240350*	1 pc.
Bright chrome	9240351*	1 pc.
Bright white	9240361*	1 pc.

## TECEplanus toilet electronics with IR sensor, 12 V mains

For touch-free flush actuation of TECE cisterns. Suitable for all TECE cisterns (installation depth 13 cm) with actuation from the front and actuation height of approx. 1 m.

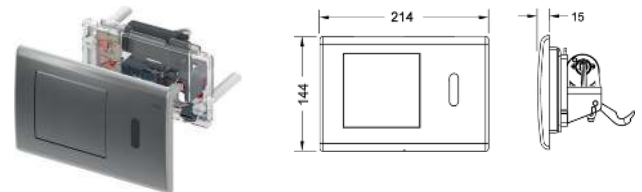
Consisting of:

- Autofocus infra-red sensor with two recognition areas for the recognition of standing or sitting persons
- Flush plate made of stainless steel for optional manual flush triggering
- Mains operation by external 230/12 V transformer (not contained in the scope of delivery)
- Electric lifting device with servo-motor completely mounted on the actuation block
- Pre-set flush volume 4.5/6/7.5 or 9 litres
- Actuation rod and mounting materials
- Programming key
- Hygiene function can be configured

Please order separately:

- TECEplanus 230/12 V transformer – Order No. 9810003
- TECEplanus 12 V connection cable – Order No. 9810004

Compatible with insert chute for cleaning tablets.



Color	Order No.	DU 1
Brushed stainless steel	9240352*	1 pc.
Bright chrome	9240353*	1 pc.
Bright white	9240362*	1 pc.

\* Not in combination with Octa cistern, 8 cm

# Toilet flush plate – TECEplanus electronic flushing systems

## TECEplanus toilet remote release for safety arm support, 6 V battery

For barrier-free construction, for remote actuation of TECE cisterns via radio switch in the safety support arm. Suitable for all TECE cisterns (installation depth 13 cm) with front actuation. Additional manual flush actuation via single-flush flush plate.

Suitable for safety support arms with radio actuation:

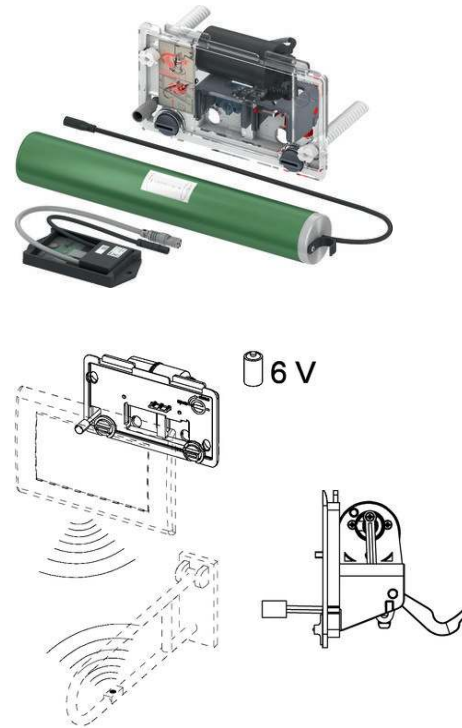
- HEWI series LifeSystem safety support arms 802.50.., with upgrade set HEWI 802.50.060R (right) or HEWI 802.50.060L (left)
- HEWI series 801 safety support arms 801.50.., with upgrade set HEWI 801.50.060
- HEWI series 805 safety support arms 805.50.., with upgrade set HEWI 801.50.060
- KEUCO Plan Care 34903 and 34905 radio triggering

Consisting of:

- Retrofittable battery-operated radio receiver
- Electric lifting device with servo-motor completely mounted on the actuation block
- Adjustable full flush volume 4.5/6/7.5 or 9 litres
- Water-tight battery compartment for installation in the cistern
- Four batteries, mono type Mono/D/LR20

Please order separately:

- Single-flush flush plate



Order No.

9240354\*

DU 1

1 pc.

## TECEplanus toilet remote release for safety arm support, 12 V mains

For barrier-free construction, for remote actuation of TECE cisterns via switch in the safety arm support. Suitable for all TECE cisterns with front actuation. Additional manual flush actuation via single-flush flush plate.

Suitable for arm support with radio triggering:

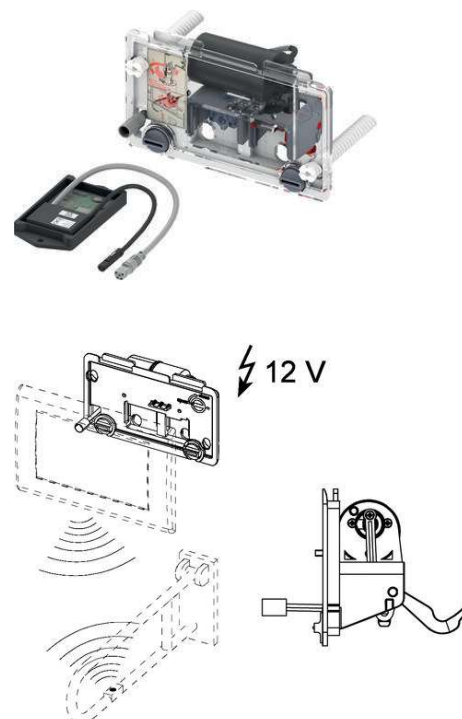
- HEWI series LifeSystem support arms 802.50.., with upgrade kit HEWI 802.50.060R (right) or HEWI 802.50.060L (left)
- HEWI series 801 support arms 801.50.., with upgrade kit HEWI 801.50.060
- HEWI series 805 support arms 805.50.., with upgrade kit HEWI 801.50.060
- KEUCO Plan Care 34903 and 34905 radio triggering

Consisting of:

- Retrofittable battery-operated radio receiver
- Electric lifting device with servo-motor completely mounted on the actuation block
- Preset full flush volume 4.5/6/7.5 or 9 litres
- Power supply via external 230/12 V transformer (transformer not contained in scope of supply)

Please order separately:

- TECEplanus 230/12 V transformer – Order No. 9810003
- TECEplanus 12 V connection cable – Order No. 9810004
- Single-flush flush plate



Order No.

9240355\*

DU 1

1 pc.

## TECEplanus toilet remote release for cable-connected electronic buttons, 6 V battery

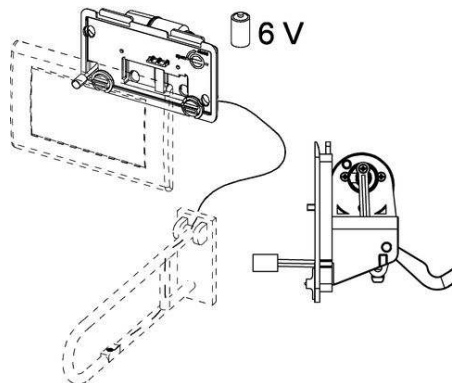
For barrier-free construction, for remote actuation of TECE cisterns by cable-connected electric buttons in the safety support arm or in the wall. Suitable for all TECE cisterns (installation depth 13 cm) with front actuation. Additional manual single flush actuation possible via flush plate (not contained in the delivery).

Consisting of:

- Retrofittable, battery-operated lifting device with servo-motor completely mounted on the actuation block
- Pre-set flush volume 4.5/6/7.5 or 9 litres
- Water-proof battery compartment including lithium battery, type 2CR5, 6 VDC

Please order separately:

- Single-flush flush plate



<b>Order No.</b>	<b>DU 1</b>
9240356*	1 pc.

## TECEplanus toilet remote release for cable-connected electronic buttons, 12 V mains

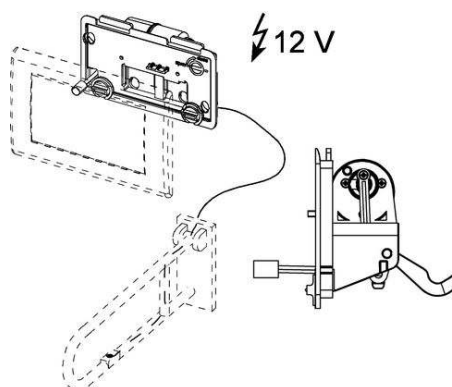
For barrier-free construction, for remote actuation of TECE cisterns by cable-connected electric buttons in the safety support arm or in the wall. Suitable for all TECE cisterns (installation depth 13 cm) with front actuation. Additional manual single flush actuation possible via flush plate (not contained in the delivery).

Consisting of:

- Retrofittable battery-operated lifting device with servo-motor completely mounted on the actuation block
- Adjustable full flush volume 4.5/6/7.5 or 9 litres
- Power supply via external 230/12 V transformer (transformer not contained in scope of delivery)

Please order separately:

- TECEplanus 230/12 V transformer – Order No. 9810003
- TECEplanus 12 V connection cable – Order No. 9810004
- Single-flush flush plate



<b>Order No.</b>	<b>DU 1</b>
9240357*	1 pc.

## TECEplanus transformer for 230/12 V mains electronics, toilet / urinal

For installation in standard concealed containers with ø 60 mm, up to 5 urinal electronics or 1 toilet electronics can be connected.

Electrical connection: 230 V

Output: 12 V DC



<b>Order No.</b>	<b>DU 1</b>
9810003	1 pc.

\* Not in combination with Octa cistern, 8 cm

## Toilet flush plate – TECEplanus electronic flushing systems

TECEplanus connection cable for 12 V mains electronics, toilet / urinal

Twin-core power cable, length 10 m.



<b>Order No.</b>	<b>DU 1</b>
9810004	1 pc.

TECEplanus radio button

Retrofit button for safety arm support, suitable for TECE radio controlled toilet flush system.



<b>Order No.</b>	<b>DU 1</b>
9240360	1 pc.

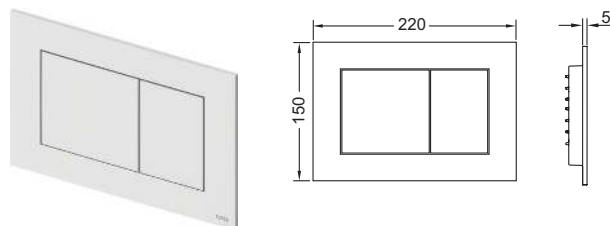
## TECEnow toilet flush plate for dual-flush system

Flush plate for TECE cisterns, for front or top actuation. Very flat plastic flush plate, buttons with rubber inlays on both sides. Incl. actuating rods and mounting material. Suitable for flush-mounted installation in combination with toilet installation frame and the TECEnow spacing frame. Compatible with insert chute for cleaning tablets.

Dimensions (W x H x D): 220 x 150 x 5 mm

### Note:

Ensure minimum brick-wall construction thickness of 23 mm!



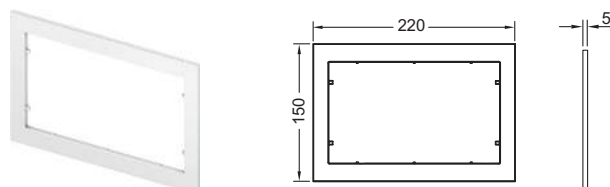
Color	Exhibition samples	Order No.	DU 1	DU 2
White	Yes	9240400	1 pc.	10 pc.
White, antibacterial	—	9240405	1 pc.	10 pc.
Bright chrome	Yes	9240401	1 pc.	10 pc.
Matte chrome	Yes	9240402	1 pc.	10 pc.
Black	Yes	9240403	1 pc.	10 pc.

Also available in other colours on request. Information on exhibition samples can be found in the "Exhibition samples" section.

## TECEnow spacing frame

For combination with TECEnow flush plate. Usable as intermediate spacing frame or for flush-mounted installation of TECEnow flush plate.

Dimensions (W x H x D): 220 x 150 x 5 mm



Color	Exhibition samples	Order No.	DU 1	DU 2
White	—	9240410	1 pc.	10 pc.
Bright chrome	—	9240411	1 pc.	10 pc.
Matte chrome	—	9240412	1 pc.	10 pc.
Black	—	9240415	1 pc.	10 pc.

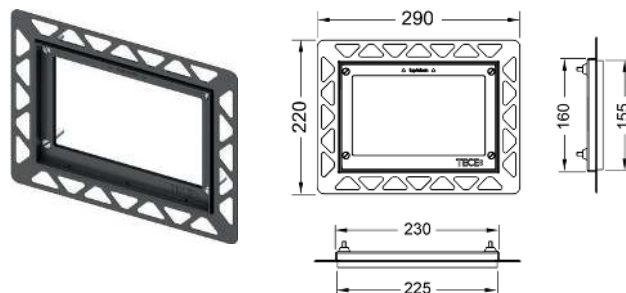
## Installation frame for flush-mounted installation

Installation kit for flush-mounted installation of toilet flush plates TECEloop/TECESquare glass, TECElux Mini as well as TECEnow. Depth-adjustable tile frame for wall coverings from 5-18 mm (from 18-33 mm with adjustment bolt - Order No. 9820181). Including disassembly tool for flush plate.

### Installation frame required during shell assembly!

### Caution:

Suitable for dry-wall toilet modules; also for brick-wall constructions in combination with the TECEbox bare-wall protection system (order no. 9030029). To obtain a clean edge, please use a water jet cutter to prepare the tile cut-out.



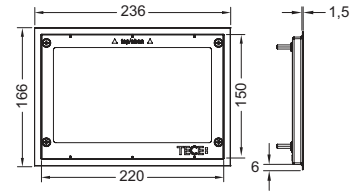
Color	Exhibition samples	Order No.	DU 1	DU 2
White	Yes	9240646	1 pc.	20 pc.
Black	Yes	9240647	1 pc.	20 pc.
Bright chrome	Yes	9240649	1 pc.	20 pc.
Gold plated	—	9240648	1 pc.	20 pc.
Metal bright	—	9240644	1 pc.	20 pc.

Information on exhibits is available in the section "Exhibition samples".

# Toilet flush plate – TECEnow

## Decorative toilet frame for toilet installation frame

Metal decorative frame for combination with toilet installation frame. To cover uneven tile edges. Depth-adjustable decorative frame for wall coverings from 5-18 mm (from 18-33 mm with adjustment bolt - Order No. 9820181).

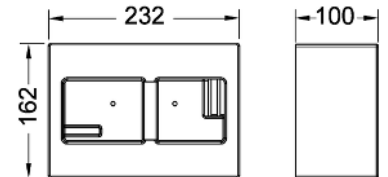


Color	Order No.	DU 1	DU 2
Bright	9240645	1 pc.	10 pc.
Brushed	9240643	1 pc.	10 pc.

## TECEbox brick-wall protection system for flush-mounted installation

Larger bare-wall protection system for brick-wall construction to prepare the installation of the installation frame for toilet flush plates. Suitable for use with all TECEbox toilet modules.

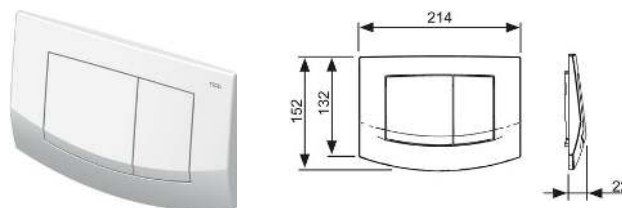
Wall thickness at least 30 mm!



Order No.	DU 1
9030029	1 pc.

## TECEambia toilet flush plate for dual-flush system

Flush plate for TECE cisterns, for front or top actuation. Plastic flush plate, buttons with rubber inlays on both sides. Incl. actuating rods and mounting material. Compatible with insert chute for cleaning tablets. Dimensions (W x H x D): 214 x 152 x 22 mm

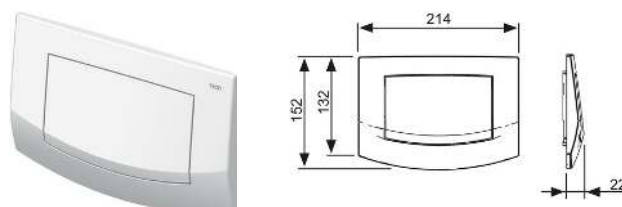


Color	Exhibition samples	Order No.	DU 1	DU 2	DU 3
White	Yes	9240200	1 pc.	10 pc.	320 pc.
White, antibacterial	Yes	9240240	1 pc.	10 pc.	-
Matte chrome	Yes	9240225	1 pc.	10 pc.	-
Bright chrome	Yes	9240226	1 pc.	10 pc.	-
Matte chrome frame, bright chrome buttons	Yes	9240253	1 pc.	10 pc.	-
Bright chrome frame, matte chrome buttons	Yes	9240254	1 pc.	10 pc.	-

Also available in other colours on request. Information on exhibition samples can be found in the "Exhibition samples" section.

## TECEambia toilet flush plate for single-flush system

Flush plate for TECE cisterns, for front or top actuation. Plastic flush plate, button with rubber inlays on both sides. Incl. actuating rod and mounting material. Compatible with insert chute for cleaning tablets. Dimensions (W x H x D): 214 x 152 x 22 mm



Color	Exhibition samples	Order No.	DU 1	DU 2
White	—	9240100	1 pc.	10 pc.
White, antibacterial	—	9240140	1 pc.	10 pc.
Matte chrome	—	9240125	1 pc.	10 pc.
Bright chrome	—	9240126	1 pc.	10 pc.

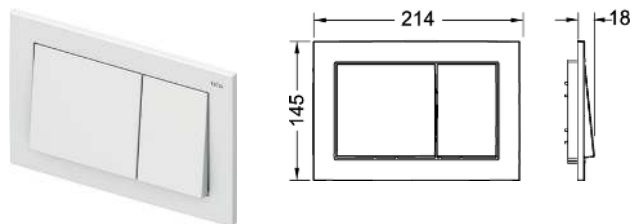
Also available in other colours on request.

# Toilet flush plate – TECEbase

## TECEbase toilet flush plate for dual-flush system

Flush plate for TECE cisterns, for front or top actuation. Plastic flush plate incl. actuating rods and mounting material. Compatible with insert chute for cleaning tablets.

Dimensions (W x H x D): 214 x 145 x 18 mm



Color	Exhibition samples	Order No.	DU 1	DU 2
White	—	9240700	1 pc.	10 pc.
Bright chrome	—	9240701	1 pc.	10 pc.
Matte chrome	—	9240702	1 pc.	10 pc.



## TECE insert chute for cleaning tablets

For inserting toilet cleaning tablets into TECE standard cistern (installation depth 13 cm). In combination with all TECE flush plates or TECElux glass facing with actuation unit, for front installation. Suitable for flush-mounted installation. All TECE flush plates can be retrofitted.

In brick-wall construction, to be used as of 16 mm wall thickness.  
Maximum brick-wall construction thickness: 60 mm dry-wall construction, 75 mm brick-wall construction.

### Caution:

The cleaning tablets used must not contain chlorine or any other oxidizing substances.



<b>Order No.</b>	<b>DU 1</b>
9240950*	1 pc.

## Extension set for TECE toilet flush plates

For extending attachment and actuation rods by max. 12 cm.

<b>Order No.</b>	<b>DU 1</b>
9820030	1 pc.



## Extension set for flush-mounted installation of installation frame

4 adjustment bolts 18-33 mm incl. safety washer, for toilet, urinal and TECEfilo installation frame.

<b>Order No.</b>	<b>DU 1</b>
9820181	1 pc.

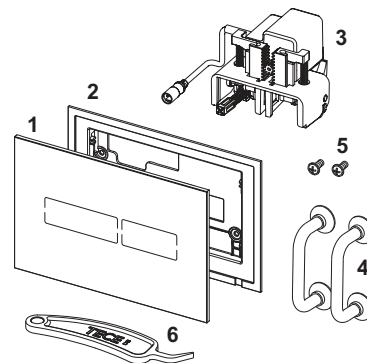


\* Not in combination with Octa cistern, 8 cm

# Toilet flush plate – Spare parts

## TECElux Mini flush plate with electronic touchless actuation

Pos.	Order No.	Designation	DU 1
1	9820369	Cover plate white glass	1 pc.
	9820370	Cover plate black glass	1 pc.
2	9820397	Support frame	1 pc.
3	9820284	actuation motor	1 pc.
4	9820180	Bow-type handles	1 pc.
5	9820263	Fastening screw	1 pc.
6	9820390	Dismounting and programming key	1 pc.



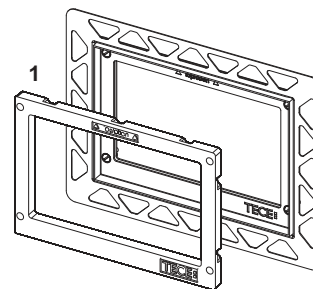
## 9240970 – TECElux Mini transformer incl. connection cable

Pos.	Order No.	Designation	DU 1
1	9820352	Connection cable (5 meters)	1 pc.



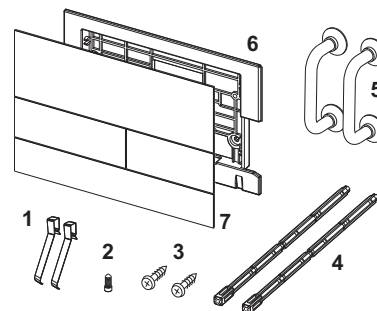
## Installation frame for flush-mounted installation

Pos.	Order No.	Designation	DU 1
1	9820196	Toilet support frame for flush-mounted installation	1 pc.



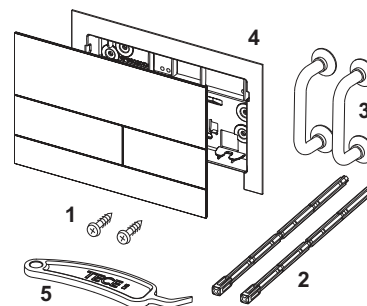
## TECEsquare metal toilet flush plate for dual-flush system

Pos.	Order No.	Designation	DU 1
1	9820253	Push-button springs, set of two	1 pc.
2	9820249	Safety bolt	1 pc.
3	9820263	Fastening screw	1 pc.
4	9820022	Actuation rods	1 pc.
5	9820180	Bow-type handles	1 pc.
6	9820328	Support frame	1 pc.
7	9820391	TECEsquare metal stainless steel	1 pc.
	9820392	TECEsquare metal chrome gloss	1 pc.
	9820393	TECEsquare metal white	1 pc.



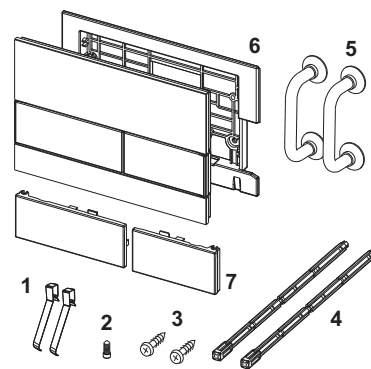
## TECEsquare II metal toilet flush plate for dual-flush system

Pos.	Order No.	Designation	DU 1
1	9820263	Fastening screw	1 pc.
2	9820022	Actuation rods	1 pc.
3	9820180	Bow-type handles	1 pc.
4	9820347	Support frame	1 pc.
5	9820390	Dismounting and programming key	1 pc.



## TECEsquare glass toilet flush plate for dual-flush system

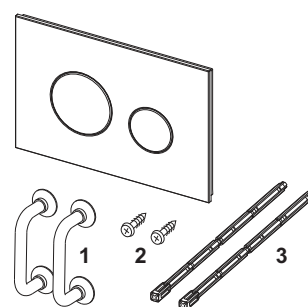
Pos.	Order No.	Designation	DU 1
1	9820253	Push-button springs, set of two	1 pc.
2	9820249	Safety bolt	1 pc.
3	9820263	Fastening screw	1 pc.
4	9820022	Actuation rods	1 pc.
5	9820180	Bow-type handles	1 pc.
6	9820328	Support frame	1 pc.
7	9820557	Flush buttons white	<b>NEW</b> 1 pc.
	9820559	Flush buttons, brushed stainless steel look	<b>NEW</b> 1 pc.
	9820558	Flush buttons, bright chrome	<b>NEW</b> 1 pc.
	9820560	Flush buttons black	<b>NEW</b> 1 pc.



## TECEloop toilet flush plate for dual-flush system

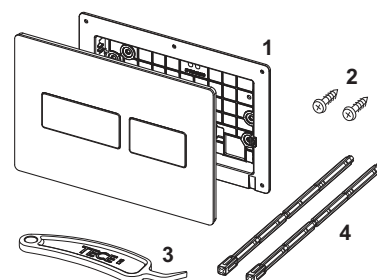
### TECEloop plastic toilet flush plate for dual-flush system

Pos.	Order No.	Designation	DU 1
1	9820180	Bow-type handles	1 pc.
2	9820263	Fastening screw	1 pc.
3	9820022	Actuation rods	1 pc.



## TECESolid toilet flush plate for dual-flush system

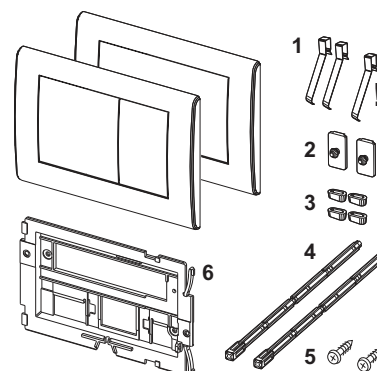
Pos.	Order No.	Designation	DU 1
1	9820426	Attachment frame	<b>NEW</b> 1 pc.
2	9820263	Fastening screw	1 pc.
3	9820390	Dismounting and programming key	1 pc.
4	9820022	Actuation rods	1 pc.



## TECEplanus toilet flush plate for dual-flush system

### TECEplanus toilet flush plate for single-flush system

Pos.	Order No.	Designation	DU 1
1	9820020	Push-button springs, set of two	1 pc.
2	9820021	Locking rubber	1 pc.
3	9820024	Rubber buffer, set of two	1 pc.
4	9820022	Actuation rods	1 pc.
5	9820263	Fastening screw	1 pc.
6	9820327	Support frame	1 pc.

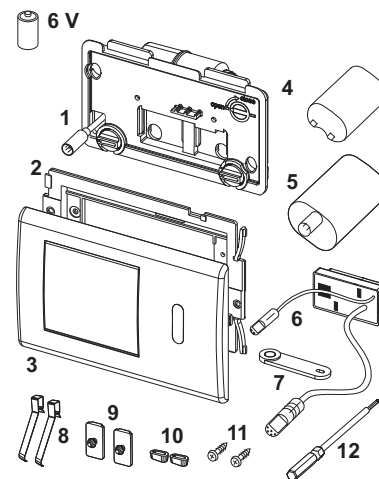


# Toilet flush plate – Spare parts

Flush plates

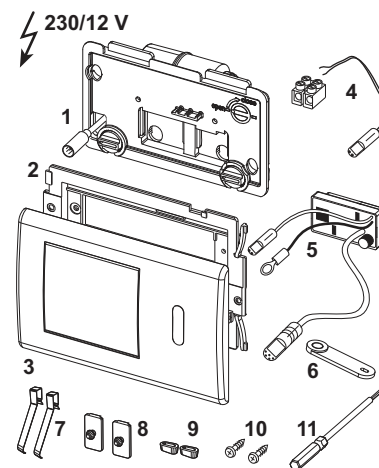
## TECEplanus toilet electronics with IR sensor, 6 V battery

Pos.	Order No.	Designation	DU 1
1	9820140	Motor with splash guard	1 pc.
2	9820327	Support frame	1 pc.
3	9820199	Flush plate, brushed stainless steel	1 pc.
	9820200	Flush plate, bright chrome	1 pc.
4	9820092	6 V battery 2CR5	1 pc.
5	9820195	Battery housing	1 pc.
6	9820198	IR sensor, 6 V	1 pc.
7	9820080	Programming key	1 pc.
8	9820020	Push-button springs, set of two	1 pc.
9	9820021	Locking rubber	1 pc.
10	9820024	Rubber buffer, set of two	1 pc.
11	9820263	Fastening screw	1 pc.
12	9820091	Hollow hexagon wrench	1 pc.



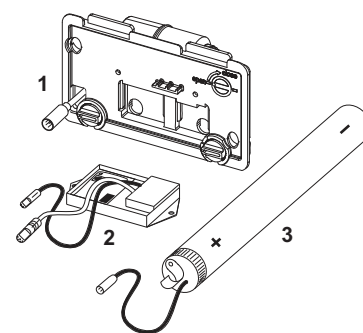
## TECEplanus toilet electronics with IR sensor, 12 V mains

Pos.	Order No.	Designation	DU 1
1	9820140	Motor with splash guard	1 pc.
2	9820327	Support frame	1 pc.
3	9820199	Flush plate, brushed stainless steel	1 pc.
	9820200	Flush plate, bright chrome	1 pc.
4	9820094	Mains connection adapter	1 pc.
5	9820201	IR sensor, 12 V	1 pc.
6	9820080	Programming key	1 pc.
7	9820020	Push-button springs, set of two	1 pc.
8	9820021	Locking rubber	1 pc.
9	9820024	Rubber buffer, set of two	1 pc.
10	9820263	Fastening screw	1 pc.
11	9820091	Hollow hexagon wrench	1 pc.



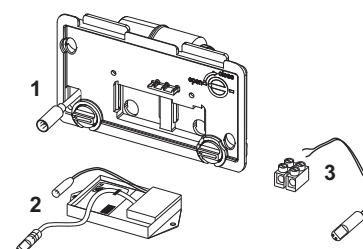
## 9240354 – TECEplanus toilet remote release for safety arm support, 6 V battery

Pos.	Order No.	Designation	DU 1
1	9820140	Motor with splash guard	1 pc.
2	9820203	Radio electronics 6 V	1 pc.
3	9820202	Battery housing, long	1 pc.



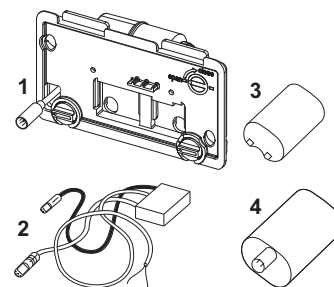
## 9240355 – TECEplanus toilet remote release for safety arm support, 12 V mains

Pos.	Order No.	Designation	DU 1
1	9820140	Motor with splash guard	1 pc.
2	9820204	Radio electronics 12 V	1 pc.
3	9820094	Mains connection adapter	1 pc.



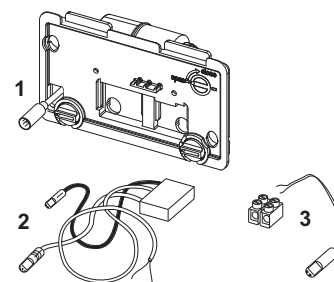
## 9240356 – TECEplanus toilet remote release for cable-connected electronic buttons, 6 V battery

Pos.	Order No.	Designation	DU 1
1	9820140	Motor with splash guard	1 pc.
2	9820205	Electronics 6 V, cable-connected	1 pc.
3	9820092	6 V battery 2CR5	1 pc.
4	9820195	Battery housing	1 pc.



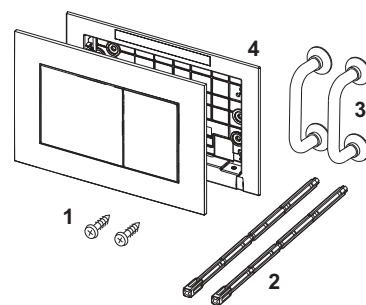
## 9240357 – TECEplanus toilet remote release for cable-connected electronic buttons, 12 V mains

Pos.	Order No.	Designation	DU 1
1	9820140	Motor with splash guard	1 pc.
2	9820206	Electronics 12 V, cable-connected	1 pc.
3	9820094	Mains connection adapter	1 pc.



## TECEnow toilet flush plate for dual-flush system

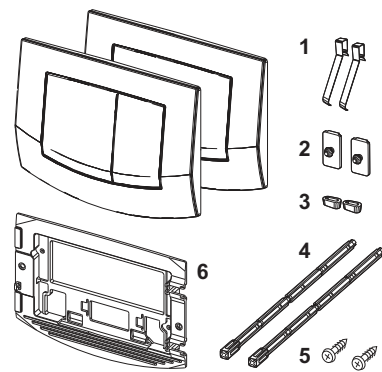
Pos.	Order No.	Designation	DU 1
1	9820263	Fastening screw	1 pc.
2	9820022	Actuation rods	1 pc.
3	9820180	Bow-type handles	1 pc.
4	9820346	Support frame	1 pc.



## TECEambia toilet flush plate for dual-flush system

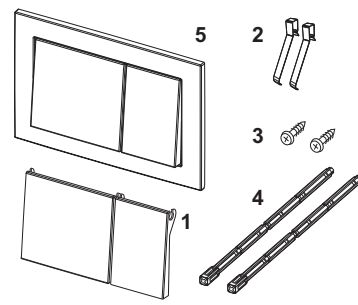
### TECEambia toilet flush plate for single-flush system

Pos.	Order No.	Designation	DU 1
1	9820020	Push-button springs, set of two	1 pc.
2	9820021	Locking rubber	1 pc.
3	9820024	Rubber buffer, set of two	1 pc.
4	9820022	Actuation rods	1 pc.
5	9820263	Fastening screw	1 pc.
6	9820326	Support frame	1 pc.



## TECEbase toilet flush plate for dual-flush system

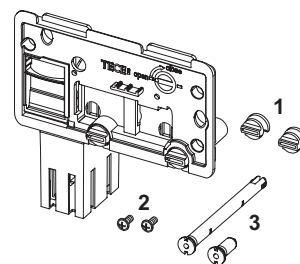
Pos.	Order No.	Designation	DU 1
1	9820241	Button set, white	1 pc.
2	9820020	Push-button springs, set of two	1 pc.
3	9820263	Fastening screw	1 pc.
4	9820022	Actuation rods	1 pc.



# Toilet flush plate – Spare parts

9240950 – TECE insert chute for cleaning tablets

Pos.	Order No.	Designation	DU 1
1	9820191	Clamping screws set	1 pc.
2	9820263	Fastening screw	1 pc.
3	9820349	Guide rods for insert chute	1 pc.



Sanitary Systems

# URINAL FLUSH PLATES

ASSORTMENT LIST 2019





	Page
TECEfilo electronic flushing systems	58
TECESquare	63
TECEloop	65
TECESolid	67
TECEplanus	68
TECEplanus electronic flushing systems	69
TECEnow	70
TECEambia	71
Accessories	72
Spare parts	73

References to standards and installation recommendations are based on standards and building regulations currently applicable in Germany. Different or supplementary regulations may apply in other countries. Observe all local regulations.

# Urinal flush plate – TECEfilo electronic flushing systems

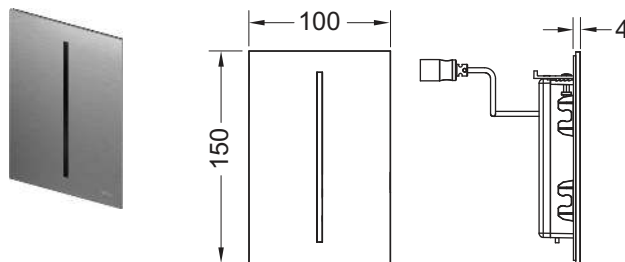
## TECEfilo stainless steel urinal electronics 230 V mains electr.

Fine assembly set for contactless infrared flush device, suitable for TECE urinal flush valve housing U 2; usable from 0.5 bar minimum flow pressure; flush time, water-saving pause function, function for cover urinals, cleaning mode, pre-flush and hygiene flush can be set.

Consisting of:

- Magnetic valve with dirt filter
- Extra-flat screw-down cover panel with sensor field
- Attachment hardware
- Programming key

Dimensions (W x H x D): 100 x 150 x 4 mm



Color	Exhibition samples	Order No.	DU 1
Brushed stainless steel (with anti-fingerprint)	Yes	9242070	1 pc.

Information on exhibits is available in the section "Exhibition samples".

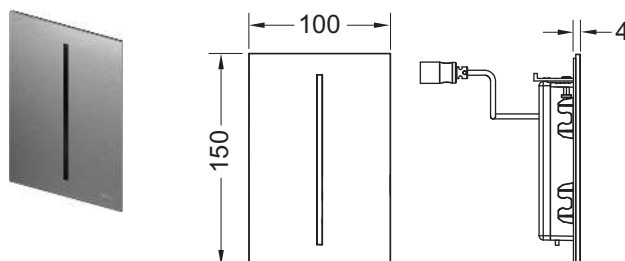
## TECEfilo urinal electronics, stainless steel 7.2 V battery

Fine assembly set for contactless infrared flush device, suitable for TECE urinal flush valve housing U 2; usable from 0.5 bar minimum flow pressure; flush time, water-saving pause function, function for cover urinals, cleaning mode, pre-flush and hygiene flush can be set.

Consisting of:

- Magnetic valve with dirt filter
- Extra-flat screw-down cover panel with sensor field
- Attachment hardware
- Programming key
- Battery 7.2 V DC

Dimensions (W x H x D): 100 x 150 x 4 mm



Color	Exhibition samples	Order No.	DU 1
Brushed stainless steel (with anti-fingerprint)	Yes	9242071	1 pc.

Information on exhibits is available in the section "Exhibition samples".

# Urinal flush plate – TECEfilo electronic flushing systems

## TECEfilo urinal electronics, glass 230 V mains electr.

Fine assembly set for contactless infrared flush device, suitable for TECE urinal flush valve housing U 2; usable from 0.5 bar minimum flow pressure; flush time, water-saving pause function, function for cover urinals, cleaning mode, pre-flush and hygiene flush can be set.

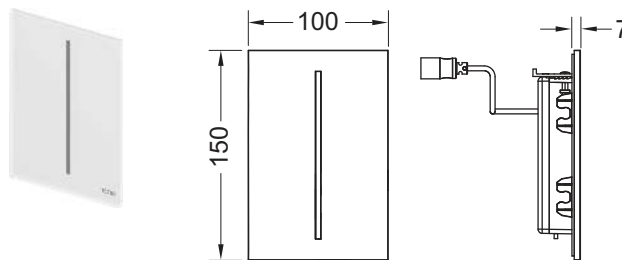
Consisting of:

- Magnetic valve with dirt filter
- Flat screw-down cover panel with sensor field
- Attachment hardware
- Programming key

Suitable for flush-mounted installation together with the TECEfilo installation frame.

Dimensions (W x H x D): 100 x 150 x 7 mm

**TECEfilo installation frame for flush-mounted installation not contained in the scope of delivery.**



Color	Exhibition samples	Order No.	DU 1
White glass	Yes	9242060	1 pc.
Black glass	—	9242062	1 pc.

Information on exhibits is available in the section "Exhibition samples".

## TECEfilo urinal electronics, glass 7.2 V battery

Fine assembly set for contactless infrared flush device, suitable for TECE urinal flush valve housing U 2; usable from 0.5 bar minimum flow pressure; flush time, water-saving pause function, function for cover urinals, cleaning mode, pre-flush and hygiene flush can be set.

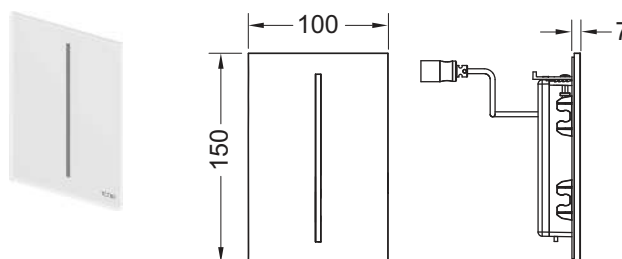
Consisting of:

- Magnetic valve with dirt filter
- Flat screw-down cover panel with sensor field
- Attachment hardware
- Programming key
- Battery 7.2 V DC

Suitable for flush-mounted installation together with the TECEfilo installation frame.

Dimensions (W x H x D): 100 x 150 x 7 mm

**TECEfilo installation frame for flush-mounted installation not contained in the scope of delivery.**



Color	Exhibition samples	Order No.	DU 1
White glass	Yes	9242061	1 pc.
Black glass	—	9242063	1 pc.

Information on exhibits is available in the section "Exhibition samples".

# Urinal flush plate – TECEfilo electronic flushing systems

## TECEfilo-Solid urinal electronics 230 V mains

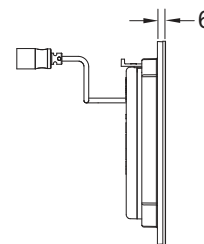
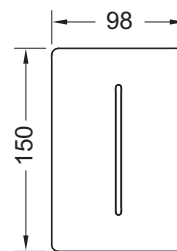
**NEW**

Fine assembly set for contactless infrared flush device, suitable for TECE urinal flush valve housing U 2; usable from 0.5 bar minimum flow pressure; screws on covertly. Flush time, water-saving pause function, function for cover urinals, cleaning function, pre-flush and hygiene flush can be set.

Consisting of:

- Magnetic valve with dirt filter
- Very flat screw-down metal cover panel with sensor field
- Attachment hardware
- Programming key

Dimensions (W x H x D): 100 x 150 x 6 mm



Color	Exhibition samples	Order No.		DU 1
Bright white	—	9242032*	<b>NEW</b>	1 pc.
Matte white	—	9242036*	<b>NEW</b>	1 pc.
Brushed stainless steel	—	9242030*	<b>NEW</b>	1 pc.
Brushed stainless steel (with anti-fingerprint)	Yes	9242037*	<b>NEW</b>	1 pc.
Bright chrome	—	9242031*	<b>NEW</b>	1 pc.

Information on exhibits is available in the section "Exhibition samples".

## TECEfilo-Solid urinal electronics 7.2 V battery

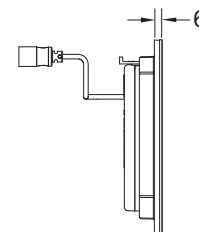
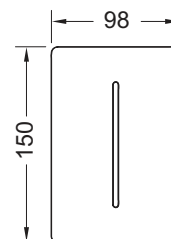
**NEW**

Fine assembly set for contactless infrared flush device, suitable for TECE urinal flush valve housing U 2; usable from 0.5 bar minimum flow pressure; screws on covertly. Flush time, water-saving pause function, function for cover urinals, cleaning function, pre-flush and hygiene flush can be set.

Consisting of:

- Magnetic valve with dirt filter
- Very flat screw-down cover panel with sensor field
- Attachment hardware
- Programming key

Dimensions (W x H x D): 100 x 150 x 6 mm



Color	Exhibition samples	Order No.		DU 1
Bright white	—	9242035*	<b>NEW</b>	1 pc.
Matte white	—	9242038*	<b>NEW</b>	1 pc.
Brushed stainless steel	—	9242033*	<b>NEW</b>	1 pc.
Brushed stainless steel (with anti-fingerprint)	Yes	9242039*	<b>NEW</b>	1 pc.
Bright chrome	—	9242034*	<b>NEW</b>	1 pc.

Information on exhibits is available in the section "Exhibition samples".

# Urinal flush plate – TECEfilo electronic flushing systems

## TECEfilo plastic urinal electronics 230 V mains electr.

Fine assembly set for contactless infrared flush device, suitable for TECE urinal flush valve housing U 2; usable from 0.5 bar minimum flow pressure; flush time, water-saving pause function, function for cover urinals, cleaning mode, pre-flush and hygiene flush can be set.

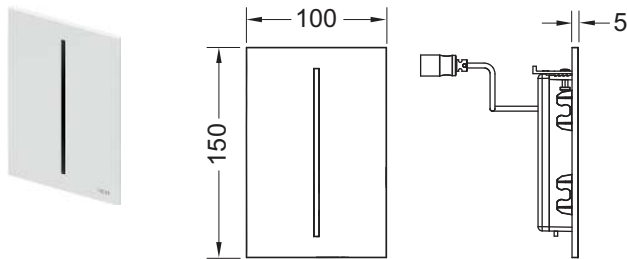
Consisting of:

- Magnetic valve with dirt filter
- Extra-flat screw-down cover panel with sensor field
- Attachment hardware
- Programming key

Suitable for flush-mounted installation together with the TECEfilo installation frame.

Dimensions (W x H x D): 100 x 150 x 5 mm

TECEfilo installation frame for flush-mounted installation not contained in the scope of delivery.



Color	Exhibition samples	Order No.	DU 1
White	Yes	9242050	1 pc.
Bright chrome	—	9242054	1 pc.

Information on exhibits is available in the section "Exhibition samples".

## TECEfilo plastic urinal electronics 7.2 V battery

Fine assembly set for contactless infrared flush device, suitable for TECE urinal flush valve housing U 2; usable from 0.5 bar minimum flow pressure; flush time, water-saving pause function, function for cover urinals, cleaning mode, pre-flush and hygiene flush can be set.

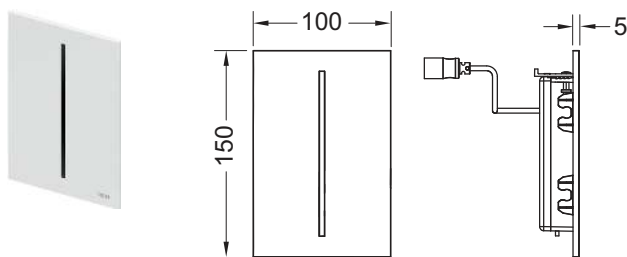
Consisting of:

- Magnetic valve with dirt filter
- Extra-flat screw-down cover panel with sensor field
- Attachment hardware
- Programming key
- Battery 7.2 V DC

Suitable for flush-mounted installation together with the TECEfilo installation frame.

Dimensions (W x H x D): 100 x 150 x 5 mm

TECEfilo installation frame for flush-mounted installation not contained in the scope of delivery.



Color	Exhibition samples	Order No.	DU 1
White	Yes	9242051	1 pc.
Bright chrome	—	9242055	1 pc.

Information on exhibits is available in the section "Exhibition samples".

# Urinal flush plate – TECEfilo electronic flushing systems

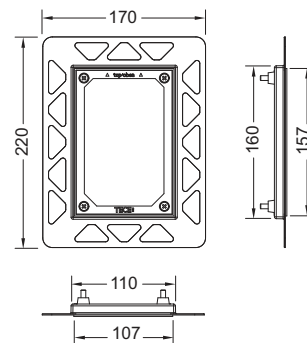
## TECEfilo installation frame for flush-mounted installation

Installation kit for flush-mounted installation of TECEfilo urinal electronics in a dry-wall. Depth-adjustable tile frame for wall coverings from 5-18 mm (from 18-33 mm with adjustment bolt - order no. 9820181). Including disassembly tool for cover panel.

Required during shell assembly.

### Warning:

For dry-wall installation only. To obtain a clean edge, please use a water jet cutter to prepare the tile cut-out.



Color	Order No.	DU 1
Bright chrome	9242040	1 pc.
White	9242041	1 pc.
Black	9242042	1 pc.

## TECESquare metal urinal flush plate including cartridge

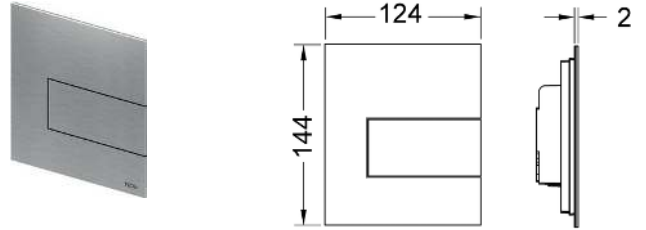
Fine assembly set for TECE flush valve housing U 1;  
 Flush valve categories 1.5 and 4 (DIN EN 12541);  
 Adjustable flush volume 1, 2 or 4 litres;  
 Usable from 0.5 bar minimum flow pressure.

Consisting of:

- Flush valve cartridge
- Extremely flat metal flush plate, installation height 2 mm
- Actuation rod and mounting materials

Dimensions (W x H x D): 124 x 144 x 2 mm

Installation only in combination with the urinal installation frame for flush-mounted installation (Order No. 9242647), please order separately!



Color	Exhibition samples	Order No.	DU 1	DU 2
Brushed stainless steel (with anti-fingerprint)	Yes	9242810	1 pc.	10 pc.
Bright chrome	Yes	9242811	1 pc.	10 pc.
Bright white	Yes	9242812	1 pc.	10 pc.

Also available in other colours on request. Information on exhibition samples can be found in the "Exhibition samples" section.

## TECESquare glass urinal flush plate including cartridge

Fine assembly set for TECE flush valve housing.  
 Flush valve categories 1.5 and 4 (DIN EN 12541).  
 Adjustable flush volume 1, 2 or 4 litres.  
 Usable from 0.5 bar minimum flow pressure.

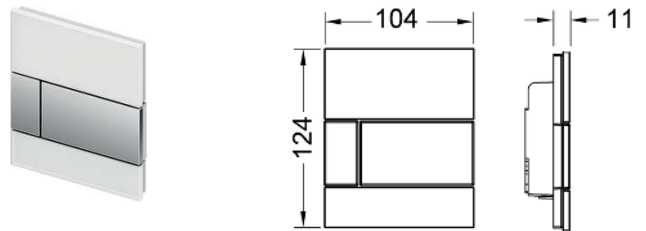
Consisting of:

- Flush valve cartridge with automatic jet cleaning needle
- Flat glass flush plate
- Actuation rod and mounting material

Suitable for flush-mounted installation in combination with urinal installation frame.

Dimensions (W x H x D): 104 x 124 x 11 mm

Urinal installation frame for flush-mounted installation (Order No. 9242647) not contained in the scope of delivery.



Color	Exhibition samples	Order No.	DU 1	DU 2
White glass, white buttons	Yes	9242800	1 pc.	15 pc.
White glass, brushed stainless steel look buttons (with anti-fingerprint)	—	9242801	1 pc.	15 pc.
White glass, bright chrome buttons	Yes	9242802	1 pc.	15 pc.
Mint green glass, white buttons	—	9242803	1 pc.	15 pc.
Mint green glass, brushed stainless steel look buttons (with anti-fingerprint)	—	9242804	1 pc.	15 pc.
Mint green glass, bright chrome buttons	—	9242805	1 pc.	15 pc.
Black glass, brushed stainless steel look buttons (with anti-fingerprint)	Yes	9242806	1 pc.	15 pc.
Black glass, bright chrome buttons	—	9242807	1 pc.	15 pc.
Black glass, gold buttons	—	9242808	1 pc.	15 pc.
Black glass, black buttons	—	9242809	1 pc.	15 pc.

Information on exhibits is available in the section "Exhibition samples".

# Urinal flush plate – TECESquare

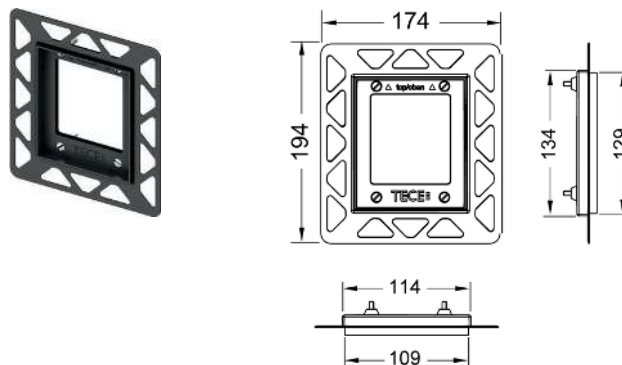
## Urinal installation frame for flush-mounted installation

Installation kit for flush-mounted installation of the urinal flush plate TECEloop/TECESquare glass and for the installation of TECESquare metal in a dry-wall construction. Depth-adjustable tile frame for wall coverings from 5-18 mm (from 18-33 mm with adjustment bolt 9820181). Incl. disassembly tool for flush plate.

Required during shell assembly.

**Caution:** For dry-wall installation only!

To obtain a clean edge, please use a water jet cutter to prepare the tile cut-out.



Color	Exhibition samples	Order No.	DU 1	DU 2
White	—	9242646	1 pc.	40 pc.
Black	—	9242647	1 pc.	40 pc.
Bright chrome	Yes	9242649	1 pc.	40 pc.
Gold plated	—	9242648	1 pc.	40 pc.

Information on exhibits is available in the section "Exhibition samples".



## TECEloop glass urinal flush plate including cartridge

Fine assembly set for TECE flush valve housing U 1;  
flush valve category 1.5 and 4 (DIN EN 12541);  
adjustable flush volume 1, 2 or 4 litres;  
usable from 0.5 bar minimum flow pressure.

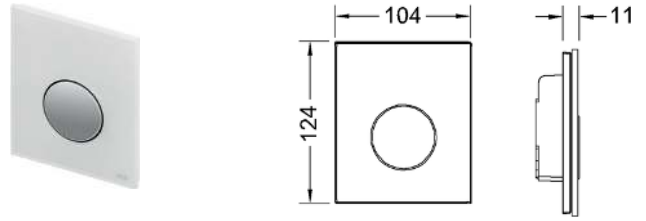
Consisting of:

- Flush valve cartridge
- Flat glass flush plate
- Actuation rod and mounting materials

Suitable for flush-mounted installation in combination with the urinal installation frame.

Dimensions (W x H x D): 104 x 124 x 11 mm

**Urinal installation frame for flush-mounted installation (Order no. 9242647) not contained in the scope of delivery.**



Color	Exhibition samples	Order No.	DU 1	DU 2
White glass, white button	Yes	9242650	1 pc.	15 pc.
White glass, matte chrome button	Yes	9242659	1 pc.	15 pc.
White glass, bright chrome button	Yes	9242660	1 pc.	15 pc.
White glass, brushed stainless steel button (with anti-fingerprint)	—	9242661	1 pc.	15 pc.
Mint green glass, white button	Yes	9242651	1 pc.	15 pc.
Mint green glass, matte chrome button	Yes	9242652	1 pc.	15 pc.
Mint green glass, bright chrome button	Yes	9242653	1 pc.	15 pc.
Mint green glass, brushed stainless steel button (with anti-fingerprint)	—	9242662	1 pc.	15 pc.
Black glass, white button	Yes	9242654	1 pc.	15 pc.
Black glass, matte chrome button	Yes	9242655	1 pc.	15 pc.
Black glass, bright chrome button	Yes	9242656	1 pc.	15 pc.
Black glass, brushed stainless steel button (with anti-fingerprint)	—	9242663	1 pc.	15 pc.
Black glass, black button	Yes	9242657	1 pc.	15 pc.
Black glass, gold button	Yes	9242658	1 pc.	15 pc.

Information on exhibits is available in the section "Exhibition samples".

# Urinal flush plate – TECEloop

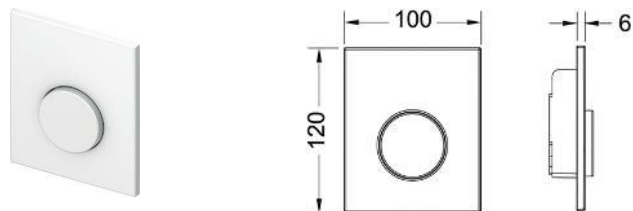
## TECEloop plastic urinal flush plate including cartridge

Fine assembly set for TECE flush valve housing U 1;  
 Flush valve categories 1.5 and 4 (DIN EN 12541);  
 Adjustable flush volume 1, 2 or 4 litres;  
 Usable from 0.5 bar minimum flow pressure.

Consisting of:

- Flush valve cartridge
- Extremely flat plastic flush plate
- Actuation rod and mounting materials

Dimensions (W x H x D): 100 x 120 x 6 mm



Color	Exhibition samples	Order No.	DU 1	DU 2
White	Yes	9242600	1 pc.	15 pc.
White, antibacterial	—	9242640	1 pc.	15 pc.
White, bright chrome button	Yes	9242627	1 pc.	15 pc.
Pergamon	Yes	9242601	1 pc.	15 pc.
Matte chrome	Yes	9242625	1 pc.	15 pc.
Bright chrome	Yes	9242626	1 pc.	15 pc.

Also available in other colours on request. Information on exhibition samples can be found in the "Exhibition samples" section.

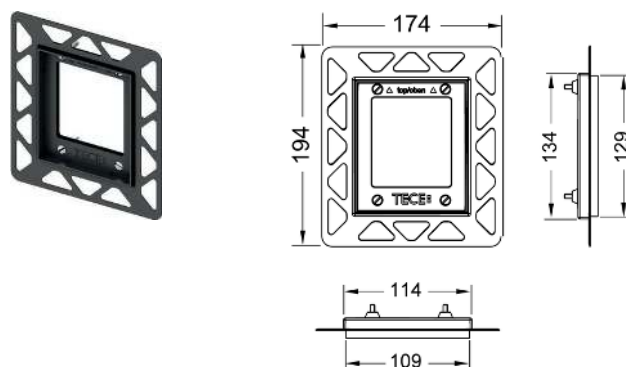
## Urinal installation frame for flush-mounted installation

Installation kit for flush-mounted installation of the urinal flush plate TECEloop/TECESquare glass and for the installation of TECESquare metal in a dry-wall construction. Depth-adjustable tile frame for wall coverings from 5-18 mm (from 18-33 mm with adjustment bolt 9820181). Incl. disassembly tool for flush plate.

Required during shell assembly.

Caution: For dry-wall installation only!

To obtain a clean edge, please use a water jet cutter to prepare the tile cut-out.



Color	Exhibition samples	Order No.	DU 1	DU 2
White	—	9242646	1 pc.	40 pc.
Black	—	9242647	1 pc.	40 pc.
Bright chrome	Yes	9242649	1 pc.	40 pc.
Gold plated	—	9242648	1 pc.	40 pc.

Information on exhibits is available in the section "Exhibition samples".

## TECESolid urinal flush plate including cartridge

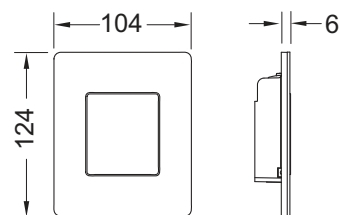
Fine assembly set for TECE flush valve housing U 1; flush valve category 1.5 and 4 (DIN 12541); adjustable flush volume 1, 2 or 4 litres; usable from 0.5 bar minimum flow pressure; flush plate that screws in covertly.

Consisting of:

- Flush valve cartridge
- Especially flat flush plate made of metal, installation height 6 mm
- Actuation rod and mounting materials

Dimensions (W x H x D): 104 x 124 x 6 mm

**NEW**



Color	Exhibition samples	Order No.		DU 1	DU 2
Bright white	—	9242432*	<b>NEW</b>	1 pc.	15 pc.
Matte white	—	9242433*	<b>NEW</b>	1 pc.	15 pc.
Brushed stainless steel	—	9242430*	<b>NEW</b>	1 pc.	15 pc.
Brushed stainless steel (with anti-fingerprint)	Yes	9242434*	<b>NEW</b>	1 pc.	15 pc.
Bright chrome	—	9242431*	<b>NEW</b>	1 pc.	15 pc.

Information on exhibits is available in the section "Exhibition samples".

## TECESolid concealed screws

**NEW**

Concealed screw connection for anti-theft protection of TECESolid flush plate, includes assembly tool.

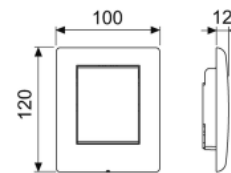


Order No.		DU 1
9240442*	<b>NEW</b>	1 pc.

# Urinal flush plate – TECEplanus

## TECEplanus urinal flush plate including cartridge

Fine assembly set for TECE flush valve housing U 1;  
Flush valve categories 1.5 and 4 (DIN EN 12541);  
Adjustable flush volume 1, 2 or 4 litres;  
Usable from 0.5 bar minimum flow pressure.



Consisting of:

- Flush valve cartridge
- Screwable stainless steel flush plate
- Actuation rod and mounting materials

Dimensions (W x H x D): 100 x 120 x 12 mm

Color	Exhibition samples	Order No.	DU 1	DU 2
Silky matte white	Yes	9242312	1 pc.	15 pc.
Bright white	Yes	9242314	1 pc.	15 pc.
Brushed stainless steel	Yes	9242310	1 pc.	15 pc.
Bright chrome	Yes	9242311	1 pc.	15 pc.

Also available in other colours on request. Information on exhibition samples can be found in the "Exhibition samples" section.

# Urinal flush plate – TECEplanus electronic flushing systems

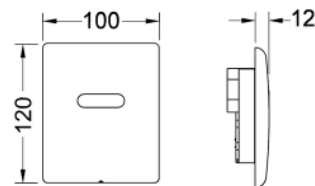
## TECEplanus urinal electronics, 6 V battery

Fine assembly set for contactless infrared flush device, suitable for TECE urinal flush valve housing U 1; usable from 0.5 bar minimum flow pressure; flush time, water-saving pause function, cleaning mode, pre-flush and hygiene flush can be set.

Consisting of:

- Magnetic valve with dirt filter
- Battery 6 V DC
- Screw-down metal cover with sensor field
- Attachment hardware
- Programming key

Dimensions (W x H x D): 100 x 120 x 12 mm



Color	Exhibition samples	Order No.	DU 1	DU 2
Silky matte white	Yes	9242354	1 pc.	10 pc.
Brushed stainless steel	Yes	9242350	1 pc.	10 pc.
Bright chrome	Yes	9242351	1 pc.	10 pc.
Bright white	—	9242356	1 pc.	10 pc.

Information on exhibits is available in the section "Exhibition samples".

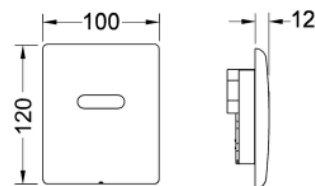
## TECEplanus urinal electronics, 12 V mains

Fine assembly set for contactless infrared flush system. Suitable for TECE urinal flush valve housing. Usable from 0.5 bar minimum flow pressure. Flush time, water-saving stop function, cleaning mode, pre-flush and hygiene flush can be set.

Consisting of:

- Solenoid valve with large dirt filter
- Screw-down metal cover with sensor field
- Mounting material
- Programming key
- Mains operated via external 230/12 V transformer (not contained in scope of delivery)

Dimensions (W x H x D): 100 x 120 x 12 mm



**Please order separately:**

- TECEplanus 230/12 V transformer – Order No. 9810003
- TECEplanus 12 V connection cable – Order No. 9810004

Color	Exhibition samples	Order No.	DU 1	DU 2
Silky matte white	Yes	9242355	1 pc.	10 pc.
Brushed stainless steel	Yes	9242352	1 pc.	10 pc.
Bright chrome	Yes	9242353	1 pc.	10 pc.
Bright white	—	9242357	1 pc.	10 pc.

Information on exhibits is available in the section "Exhibition samples".

## TECEplanus transformer for 230/12 V mains electronics, toilet / urinal

For installation in standard concealed containers with ø 60 mm, up to 5 urinal electronics or 1 toilet electronics can be connected.

Electrical connection: 230 V

Output: 12 V DC



Order No.	DU 1
9810003	1 pc.

# Urinal flush plate – TECEnow

## TECEnow urinal flush plate incl. cartridge

Fine assembly set for TECE flush valve housing U 1; flush valve category 1.5 and 4 (DIN EN 12541); adjustable flush volume 1, 2 or 4 litres; usable from 0.5 bar minimum flow pressure.

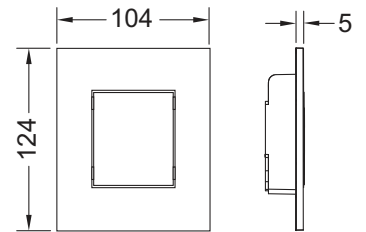
Consisting of:

- Flush valve cartridge
- Extra-flat flush plate made of plastic, installation height 5 mm
- Actuation rod and mounting materials

Suitable for flush-mounted installation in combination with the urinal installation frame.

Dimensions (W x H x D): 104 x 124 x 5 mm

**Urinal installation frame for flush-mounted installation (order no. 9242647) not contained in the scope of delivery.**



Color	Exhibition samples	Order No.	DU 1	DU 2
White	Yes	9242400	1 pc.	15 pc.
White, antibacterial	—	9242405	1 pc.	15 pc.
Bright chrome	Yes	9242401	1 pc.	15 pc.
Matte chrome	Yes	9242402	1 pc.	15 pc.
Black	—	9242403	1 pc.	15 pc.

Also available in other colours on request. Information on exhibition samples can be found in the "Exhibition samples" section.

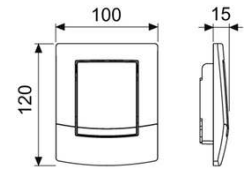
## TECEambia urinal flush plate including cartridge

Fine assembly set for TECE flush valve housing U 1;  
 Flush valve categories 1.5 and 4 (DIN EN 12541);  
 Adjustable flush volume 1, 2 or 4 litres;  
 Usable from 0.5 bar minimum flow pressure.

Consisting of:

- Flush valve cartridge
- Screwable plastic flush plate
- Actuation rod and mounting materials

Dimensions (W x H x D): 100 x 120 x 15 mm



Color	Exhibition samples	Order No.	DU 1	DU 2
White	Yes	9242100	1 pc.	15 pc.
White, antibacterial	Yes	9242140	1 pc.	15 pc.
Bright chrome	—	9242126	1 pc.	15 pc.

Also available in other colours on request. Information on exhibition samples can be found in the "Exhibition samples" section.

## Urinal flush plate – Accessories

### Extension set for TECE urinal flush plates

For extending attachment and actuation rods by max. 13 cm. For flush valve housing U 1.

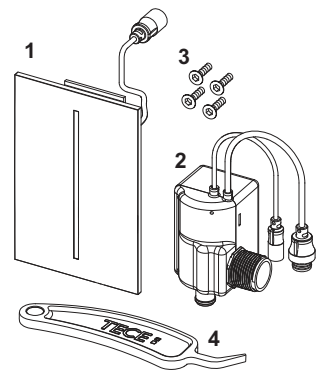


Order No.	DU 1
9820095	1 pc.



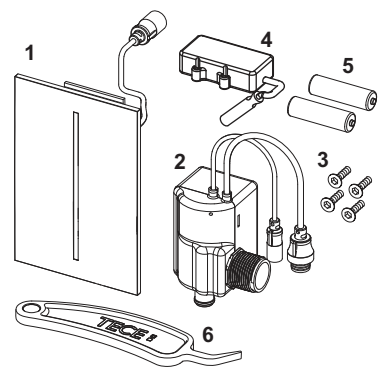
### TECEfilo stainless steel urinal electronics 230 V mains electr.

Pos.	Order No.	Designation	DU 1
1	9820538	Cover plate, stainless steel	1 pc.
2	9820533	Valve unit 230 V-mains	1 pc.
3	9820554	Fastening screws	1 pc.
4	9820390	Dismounting and programming key	1 pc.



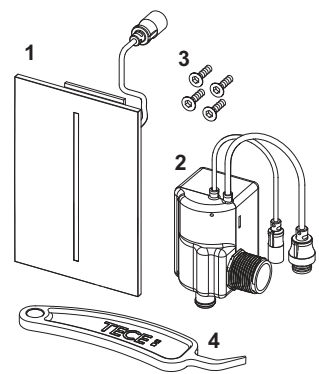
### TECEfilo urinal electronics, stainless steel 7.2 V battery

Pos.	Order No.	Designation	DU 1
1	9820538	Cover plate, stainless steel	1 pc.
2	9820540	Valve unit 7.2 V-battery	1 pc.
3	9820554	Fastening screws	1 pc.
4	9820546	Battery holder	1 pc.
5	9820545	Batteries	1 pc.
6	9820390	Dismounting and programming key	1 pc.



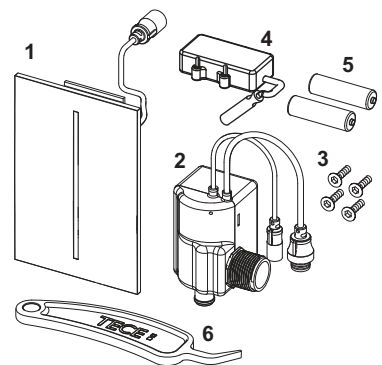
### TECEfilo urinal electronics, glass 230 V mains electr.

Pos.	Order No.	Designation	DU 1
1	9820537	Cover plate white glass	1 pc.
	9820550	Cover plate black glass	1 pc.
2	9820533	Valve unit 230 V-mains	1 pc.
3	9820554	Fastening screws	1 pc.
4	9820390	Dismounting and programming key	1 pc.



### TECEfilo urinal electronics, glass 7.2 V battery

Pos.	Order No.	Designation	DU 1
1	9820537	Cover plate white glass	1 pc.
	9820550	Cover plate black glass	1 pc.
2	9820540	Valve unit 7.2 V-battery	1 pc.
3	9820554	Fastening screws	1 pc.
4	9820546	Battery holder	1 pc.
5	9820545	Batteries	1 pc.
6	9820390	Dismounting and programming key	1 pc.

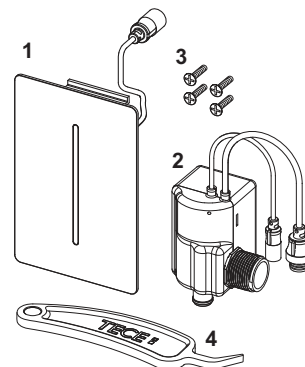


# Urinal flush plate – Spare parts

Flush plates

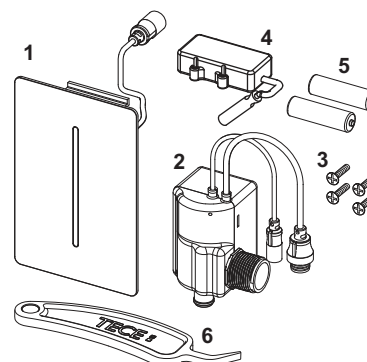
## TECEfilo-Solid urinal electronics 230 V mains

Pos.	Order No.	Designation	DU	1
1	9820436	Cover plate, brushed stainless steel	NEW	1 pc.
	9820433	Cover plate, bright chrome	NEW	1 pc.
	9820434	Cover plate, bright white	NEW	1 pc.
	9820435	Cover plate, matte white	NEW	1 pc.
	9820427	Cover plate brushed stainless steel (with anti-fingerprint)	NEW	1 pc.
2	9820533	Valve unit 230 V-mains		1 pc.
3	9820534	Cover plate plastic white		1 pc.
4	9820390	Dismounting and programming key		1 pc.



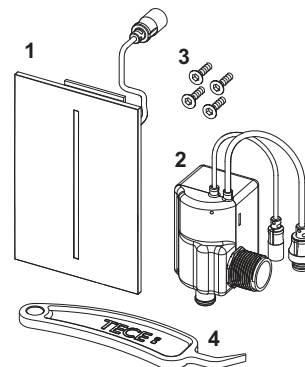
## TECEfilo-Solid urinal electronics 7.2 V battery

Pos.	Order No.	Designation	DU	1
1	9820436	Cover plate, brushed stainless steel	NEW	1 pc.
	9820433	Cover plate, bright chrome	NEW	1 pc.
	9820434	Cover plate, bright white	NEW	1 pc.
	9820435	Cover plate, matte white	NEW	1 pc.
	9820427	Cover plate brushed stainless steel (with anti-fingerprint)	NEW	1 pc.
2	9820540	Valve unit 7.2 V-battery		1 pc.
3	9820554	Fastening screws		1 pc.
4	9820546	Battery holder		1 pc.
5	9820545	Batteries		1 pc.
6	9820390	Dismounting and programming key		1 pc.



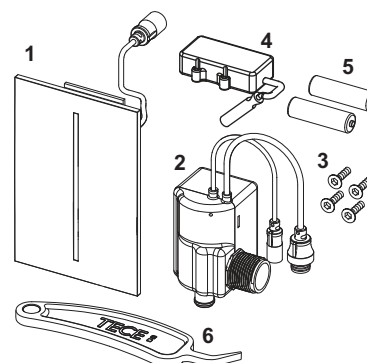
## TECEfilo plastic urinal electronics 230 V mains electr.

Pos.	Order No.	Designation	DU	1
1	9820534	Cover plate plastic white		1 pc.
	9820535	Cover plate plastic chrome gloss		1 pc.
2	9820533	Valve unit 230 V-mains		1 pc.
3	9820554	Fastening screws		1 pc.
4	9820390	Dismounting and programming key		1 pc.



## TECEfilo plastic urinal electronics 7.2 V battery

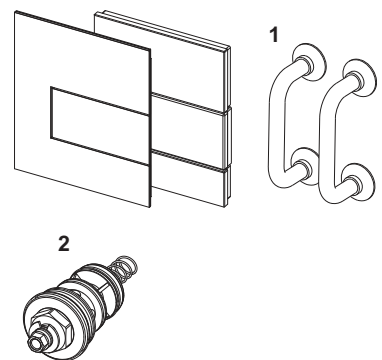
Pos.	Order No.	Designation	DU	1
1	9820534	Cover plate plastic white		1 pc.
	9820535	Cover plate plastic chrome gloss		1 pc.
2	9820540	Valve unit 7.2 V-battery		1 pc.
3	9820554	Fastening screws		1 pc.
4	9820546	Battery holder		1 pc.
5	9820545	Batteries		1 pc.
6	9820390	Dismounting and programming key		1 pc.



### TECESquare metal urinal flush plate including cartridge

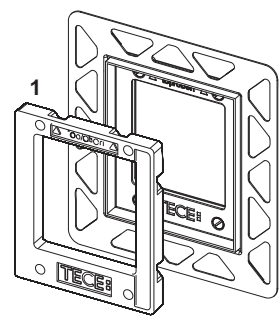
### TECESquare glass urinal flush plate including cartridge

Pos.	Order No.	Designation	DU 1
1	9820180	Bow-type handles	1 pc.
2	9820031	Flush valve cartridge U 1	1 pc.



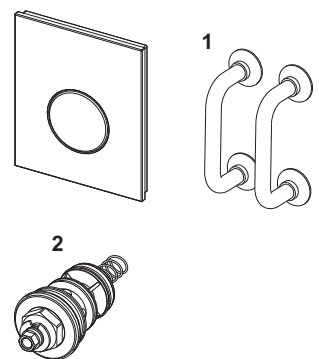
### Urinal installation frame for flush-mounted installation

Pos.	Order No.	Designation	DU 1
1	9820197	Urinal support frame for flush-mounted installation	1 pc.



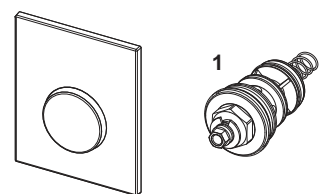
### TECEloop glass urinal flush plate including cartridge

Pos.	Order No.	Designation	DU 1
1	9820180	Bow-type handles	1 pc.
2	9820031	Flush valve cartridge U 1	1 pc.



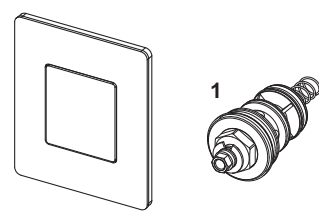
### TECEloop plastic urinal flush plate including cartridge

Pos.	Order No.	Designation	DU 1
1	9820031	Flush valve cartridge U 1	1 pc.



### TECESolid urinal flush plate including cartridge

Pos.	Order No.	Designation	DU 1
1	9820031	Flush valve cartridge U 1	1 pc.

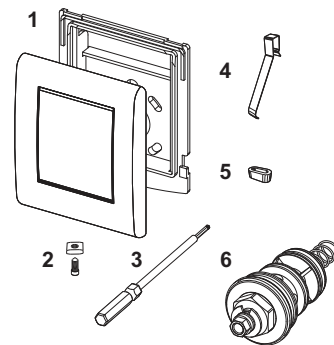


# Urinal flush plate – Spare parts

Flush plates

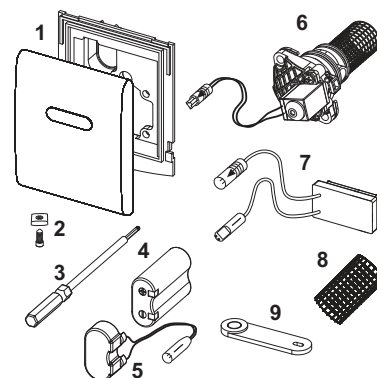
## TECEplanus urinal flush plate including cartridge

Pos.	Order No.	Designation	DU 1
1	9820083	Brushed stainless steel flush plate	1 pc.
	9820084	Flush plate, bright chrome	1 pc.
	9820082	Silk matte white flush plate	1 pc.
2	9820097	Fastening screw	1 pc.
3	9820091	Hollow hexagon wrench	1 pc.
4	9820020	Push-button springs, set of two	1 pc.
5	9820024	Rubber buffer, set of two	1 pc.
6	9820031	Flush valve cartridge U 1	1 pc.



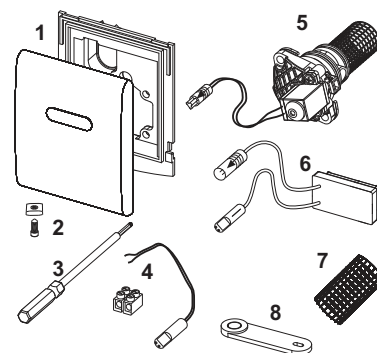
## TECEplanus urinal electronics, 6 V battery

Pos.	Order No.	Designation	DU 1
1	9820085	Cover plate, brushed stainless steel	1 pc.
	9820086	Cover plate, bright chrome	1 pc.
	9820098	Cover plate, silk matte white	1 pc.
2	9820097	Fastening screw	1 pc.
3	9820091	Hollow hexagon wrench	1 pc.
4	9820092	6 V battery 2CR5	1 pc.
5	9820093	Battery connection adapter	1 pc.
6	9820089	Urinal cartridge electronic for flushing valve U 1	1 pc.
7	9820087	Infra-red sensor 6 V battery	1 pc.
8	9820090	Grate bar	1 pc.
9	9820080	Programming key	1 pc.



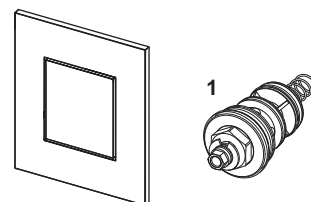
## TECEplanus urinal electronics, 12 V mains

Pos.	Order No.	Designation	DU 1
1	9820085	Cover plate, brushed stainless steel	1 pc.
	9820086	Cover plate, bright chrome	1 pc.
	9820098	Cover plate, silk matte white	1 pc.
2	9820097	Fastening screw	1 pc.
3	9820091	Hollow hexagon wrench	1 pc.
4	9820094	Mains connection adapter	1 pc.
5	9820089	Urinal cartridge electronic for flushing valve U 1	1 pc.
6	9820088	Infra-red sensor 12 V mains	1 pc.
7	9820090	Grate bar	1 pc.
8	9820080	Programming key	1 pc.



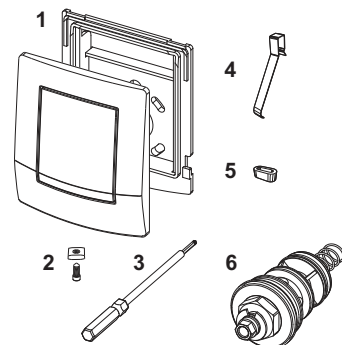
## TECEnow urinal flush plate incl. cartridge

Pos.	Order No.	Designation	DU 1
1	9820031	Flush valve cartridge U 1	1 pc.



## TECEambia urinal flush plate including cartridge

Pos.	Order No.	Designation	DU 1
1	9820081	Flush plate white	1 pc.
	9820129	Flush plate white, antibacterial	1 pc.
2	9820097	Fastening screw	1 pc.
3	9820091	Hollow hexagon wrench	1 pc.
4	9820020	Push-button springs, set of two	1 pc.
5	9820024	Rubber buffer, set of two	1 pc.
6	9820031	Flush valve cartridge U 1	1 pc.







Sanitary Systems

# SANITARY MODULES

ASSORTMENT LIST 2019





# Table of contents TECE sanitary modules

	Page
TECEprofil	83
TECEconstruct	133
TECEbox	143

References to standards and installation recommendations are based on standards and building regulations currently applicable in Germany. Different or supplementary regulations may apply in other countries. Observe all local regulations.





Sanitary Systems

# TECEprofil DRY-WALL MODULES

ASSORTMENT LIST 2019



	Page
Toilet modules	86
Washstand modules	99
Urinal modules	103
Bath/shower module	106
Bidet modules	107
Accessories	108
Starter set	117
Spare parts case	118
Spare parts	119

An overview of valid Declarations of Performances (DOP) is available at [www.tece.com](http://www.tece.com).

**Note:**

DU 1 = minimum order quantity per item; sometimes it is not possible to order smaller quantities for technical reasons  
 DU 2 = Euro palette for modules

References to standards and installation recommendations are based on standards and building regulations currently applicable in Germany. Different or supplementary regulations may apply in other countries. Observe all local regulations.

# TECEprofil – Toilet modules

## TECEprofil toilet module with Uni cistern, installation height 1120 mm

Toilet module for attaching to TECEprofil section tubes or to install in metal or wooden post-and-beam walls and as pre-wall or corner module; also suitable for single block assembly.

Completely pre-assembled unit, consisting of:

Uni cistern for front actuation:

- Safety tank made from impact-resistant plastic
- Cistern fully pre-assembled and sealed
- Cistern connection with 1/2" inner thread
- 10 litre tank volume; 6 litre pre-set standard flush volume; option of setting a 4.5/7.5/9 litre flush at any time; 3 litre low-volume flush for dual-flush system. Remaining volume can be used for immediate cleaning flush.
- Insulated against condensation water
- For TECE flush plates and toilet flush handle
- Can be set as a single or dual-flush cistern depending on the flush plate used.
- Certified in accordance with DIN EN 14055
- Acoustic group 1 in accordance with DIN 4109
- Low-noise hydraulic filling valve

Module consisting of:

- Self-supporting installation frame, powder-coated
- Two M12 retaining bolts and nuts
- Toilet drain bend DN 90 incl. toilet adapter DN 90/100 made of PP
- Joint adapter also suitable for horizontal installation
- Toilet connection set DN 90, includes assembly protection plugs

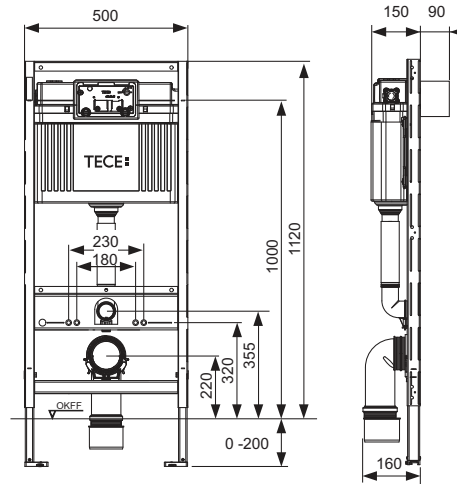
A raised ceramic mounting for a sitting height of 48 cm can be added in keeping with German standard DIN 18040 (DIN 18040: Barrier-free construction - Part 1: Publicly accessible buildings and workplaces).

**Please order separately:**

- Toilet flush plate (see flush plates)
- Fixing for pre-wall, corner or wooden post-and-beam structures
- Insert chute for cleaning tablets
- TECEone upgrade set for dry-wall

**Note:**

If toilet ceramics with a reduced supporting surface are used (= distance from middle of attachment bolt to lower edge of supporting surface is not greater than 18 cm) - e.g. V & B Memento, Sentique, Subway 2.0 - it is necessary to install the steel brace set 9041029 in the lower build space.



Order No.	DU 1	DU 2	DU 3
9300000	1 pc.	10 pc.	60 pc.

## TECEprofil toilet module with Uni cistern, installation height 980 mm

Toilet module for installation in a TECEprofil pre-wall or in front of a solid wall.

Completely pre-assembled unit, consisting of:

Uni cistern for front or top actuation:

- Safety tank made from impact-resistant plastic
- Cistern fully pre-assembled and sealed
- Cistern connection with 1/2" inner thread
- 10 litre tank volume; 6 litre preset standard flush volume; with the option of setting a 4.5/7.5/9 litre flush at any time; 3 litre low-volume flush for dual-flush system. Remaining volume can be used for immediate cleaning flush.
- Insulated against condensation water
- For TECE flush plates and toilet flush handle
- Can be set as a single or dual-flush cistern depending on the flush plate used
- Certified in accordance with DIN EN 14055
- Acoustic group 1 in accordance with DIN 4109
- Low-noise hydraulic filling valve

Module consisting of:

- Self-supporting installation frame, powder-coated
- Two M12 retaining bolts and nuts
- Two depth-adjustable module attachments
- Toilet drain bend DN 90 incl. joint adapter DN 90/100 made of PP
- Joint adapter also suitable for horizontal installation
- Toilet connection set DN 90, including protective plugs

Please order separately:

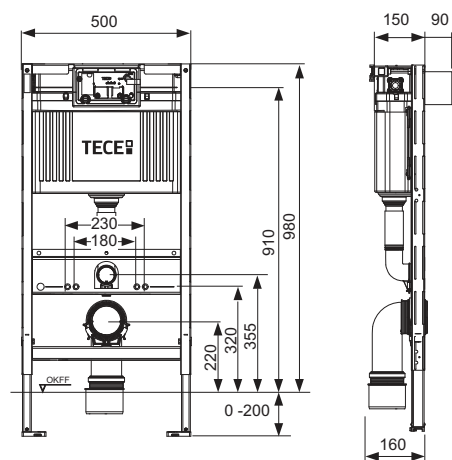
- Toilet flush plate (see flush plates)
- Insert chute for cleaning tablets (front actuation only)
- TECEone upgrade set for dry-wall

**Note:**

If toilet ceramics with a reduced supporting surface are used (= distance from middle of attachment bolt to lower edge of supporting surface is not greater than 18 cm) - e.g. V & B Memento, Sentique, Subway 2.0 - it is necessary to install the steel brace set 9041029 in the lower build space.

**Caution:**

If the flush plate is fitted in front and a compact ceramic system is used in the case of cisterns with a low installation height, the toilet lid may occasionally drop down unintentionally. When using compact ceramic systems (e.g.: Ideal-Standard: San Remo slimline R 3493; V & B: Viala 765310, Viala 765210; Keramag: Renova-Comprimo 204550; Joly 203060) fit flush plate with top actuation only.



Order No.	DU 1	DU 2	DU 3
9300022	1 pc.	10 pc.	60 pc.

# TECEprofil – Toilet modules

## TECEprofil toilet module with Uni cistern, installation height 820 mm

Toilet module for attaching to TECEprofil section tubes or as pre-wall or corner module.

Completely pre-assembled unit, consisting of:

Uni cistern for front or top actuation:

- Safety tank made from impact-resistant plastic
- Cistern fully pre-assembled and sealed
- Cistern connection with 1/2" inner thread
- 10 litre tank volume; 6 litre pre-set standard flush volume; option of setting a 4.5/7.5/9 litre flush at any time; 3 litre low-volume flush for dual-flush system. Remaining volume can be used for immediate cleaning flush.
- Insulated against condensation water
- For TECE flush plates and toilet flush handle
- Can be set as a single or dual-flush cistern depending on the flush plate used
- Certified in accordance with DIN EN 14055
- Acoustic group 1 in accordance with DIN 4109
- Low-noise hydraulic filling valve

Module consisting of:

- Self-supporting installation frame, powder-coated
- Two M12 retaining bolts and nuts
- Toilet drain bend DN 90 incl. joint adapter DN 90/100 made of PP
- Joint adapter also suitable for horizontal installation
- Toilet connection set DN 90, including protective plugs
- Two depth-adjustable module attachments

Please order separately:

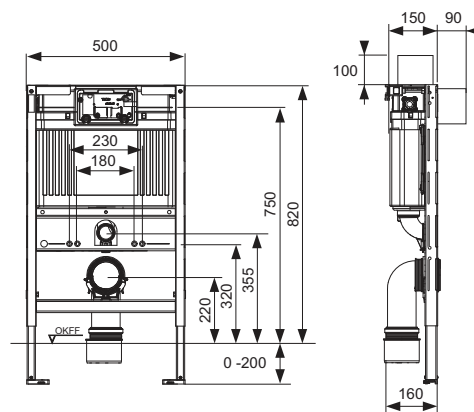
- Toilet flush plate (see flush plates)
- Insert chute for cleaning tablets (front actuation only)
- TECEone upgrade set for dry-wall

**Note:**

If toilet ceramics with a reduced supporting surface are used (= distance from middle of attachment bolt to lower edge of supporting surface is not greater than 18 cm) - e.g. V & B Memento, Sentique, Subway 2.0 - it is necessary to install the steel brace set 9041029 in the lower build space.

**Caution:**

If the flush plate is fitted in front and a compact ceramic system is used in the case of cisterns with a low installation height, the toilet lid may occasionally drop down unintentionally. When using compact ceramic systems (e.g.: Ideal-Standard: San Remo slimline R 3493; V & B: Viala 765310, Viala 765210; Keramag: Renova-Comprimo 204550; Joly 203060) fit flush plate with top actuation only.



Order No.	DU 1	DU 2	DU 3
9300001	1 pc.	10 pc.	60 pc.



## TECEprofil toilet module with Uni cistern for universal connection of a shower toilet, installation height 1120 mm

Toilet module for fitting to TECEprofil section tubes or for installation in metal or wooden post-and-beam walls and as a pre-wall or corner module; also suitable for single block assembly.

Enables the universal connection of a shower toilet with concealed water and power connection, e.g. Geberit AquaClean 8000/Sela/Mera, Duravit Senso-Wash C, V & B ViClean, TOTO RX/SX/SG 2.0/EK 2.0/GL 2.0, Vitra V-care.

Products from other manufacturers can also be connected. However, the connection positions have to be verified beforehand.

Fully pre-assembled unit consisting of:

Uni cistern for front actuation:

- Safety tank made of impact-resistant plastic
- Cistern completely pre-assembled and sealed
- Cistern connection with 1/2" inner thread
- 10-litre tank volume; 6-litre pre-set standard flush volume; 4.5/7.5/9-litre flush volume setting option at any time; 3-litre partial flush volume with dual-flush system. Remaining volume can be used for immediate cleaning flush.
- Insulated against condensation water
- For TECE flush plates and toilet flush handle
- Can be set as a single or dual-flush cistern depending on the flush plate used.
- Certified in accordance with DIN EN 14055
- Acoustic group 1 in accordance with DIN 4109
- Low-noise hydraulic filling valve

Module consisting of:

- Self-supporting installation frame, powder-coated
- Two M12 retaining bolts and nuts
- Toilet drain bend DN 90 incl. joint adapter DN 90/100 made of PP
- Joint adapter also suitable for horizontal installation
- Toilet connection set DN 90
- Conduit incl. insert funnel for universal positioning of the water connection
- Cable box for universal positioning of the power connection
- Shell structure cover with protective plugs

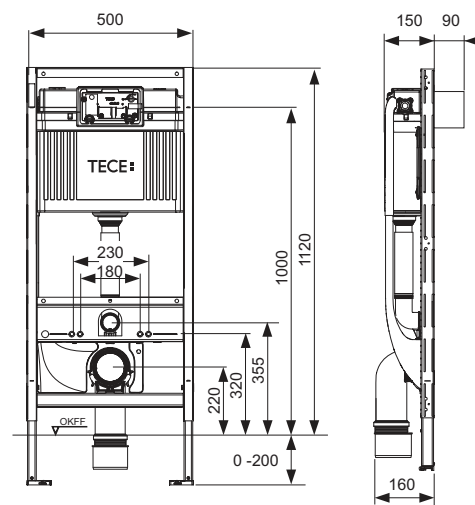
A ceramic mounting for a sitting height of 48 cm can be added in keeping with German standard DIN 18040 (DIN 18040: Barrier-free construction - Part 1: Publicly accessible buildings and workplaces).

**Please order separately:**

- Toilet flush plate (see flush plates)
- Fitting for individual pre-wall, corner or wooden post-and-beam structures
- Insert chute for cleaning tablets
- Fine installation set for universal shower toilet module 1120 mm

**Note:**

If toilet ceramics with a reduced supporting surface are used (e.g. V & B Memento, Sentique, Subway 2.0) it is necessary to install the steel brace set 9041029 in the lower build space.



Order No.	DU 1	DU 2	DU 3
9300079	1 pc.	10 pc.	60 pc.

# TECEprofil – Toilet modules

## TECEprofil toilet module with Uni cistern for universal connection of a shower toilet, installation height 980 mm

Toilet module for installation in a TECEprofil pre-wall or in front of a solid wall.

Enables the universal connection of a shower toilet with concealed water and power connection, e.g. Geberit AquaClean 8000/Sela/Mera, Duravit Senso-Wash C, V & B ViClean, TOTO RX/SX/SG 2.0/EK 2.0/GL 2.0, Vitra V-care.

Products from other manufacturers can also be connected.

However, the connection positions have to be verified beforehand.

Fully pre-assembled unit consisting of:

Uni cistern for front or top actuation:

- Safety tank made of impact-resistant plastic
- Cistern completely pre-assembled and sealed
- Cistern connection with 1/2" inner thread
- 10-litre tank volume; 6-litre pre-set standard flush volume; 4.5/7.5/9-litre flush volume setting option at any time; 3-litre partial flush volume with dual-flush system. Remaining volume can be used for immediate cleaning flush.
- Insulated against condensation water
- For TECE flush plates and toilet flush handle
- Can be set as a single or dual-flush cistern depending on the flush plate used
- Certified in accordance with DIN EN 14055
- Acoustic group 1 in accordance with DIN 4109
- Low-noise hydraulic filling valve

Module consisting of:

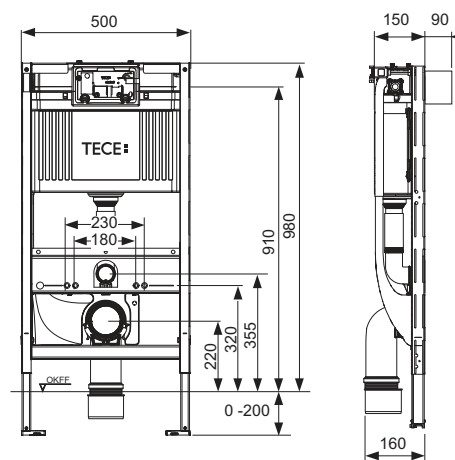
- Self-supporting installation frame, powder-coated
- Two M12 retaining bolts and nuts
- Two depth-adjustable module attachments
- Toilet drain bend DN 90 incl. joint adapter DN 90/100 made of PP
- Joint adapter also suitable for horizontal installation
- Toilet connection set DN 90
- Conduit incl. insert funnel for universal positioning of the water connection
- Cable box for universal positioning of the power connection
- Shell structure cover with protective plugs

**Please order separately:**

- Toilet flush plate (see flush plates)
- Insert chute for cleaning tablets
- Fine installation set for universal shower toilet module 980 mm

**Note:**

- If toilet ceramics with a reduced supporting surface are used (= distance from middle of attachment bolt to lower edge of supporting surface is not greater than 18 cm) - e.g. V & B Memento, Sentique, Subway 2.0 - it is necessary to install the steel brace set 9041029 in the lower build space.
- If the flush plate is fitted in front and a compact ceramic system is used in the case of cisterns with a low installation height, the toilet lid may occasionally drop down unintentionally. When using compact ceramic systems (e.g.: Ideal-Standard: San Remo slimline R 3493; V & B: Viala 765310, Viala 765210; Keramag: Renova-Comprimo 204550; Joly 203060) fit flush plate with top actuation only.



Order No.	DU 1	DU 2	DU 3
9300082	1 pc.	10 pc.	60 pc.

## TECEprofil toilet module with Uni cistern for universal connection of a shower toilet, installation height 820 mm

Toilet module for installation in a TECEprofil pre-wall or in front of a solid wall.

Enables the universal connection of a shower toilet with concealed water and power connection, e.g. Geberit AquaClean 8000/Sela/Mera, Duravit Senso-Wash C, V & B ViClean, TOTO RX/SX/SG 2.0/EK 2.0/GL 2.0, Vitra V-care.

Products from other manufacturers can also be connected. However, the connection positions have to be verified beforehand.

Fully pre-assembled unit consisting of:

Uni cistern for front or top actuation:

- Safety tank made of impact-resistant plastic
- Cistern completely pre-assembled and sealed
- Cistern connection with 1/2" inner thread
- 10-litre tank volume; 6-litre pre-set standard flush volume; 4.5/7.5/9-litre flush volume setting option at any time; 3-litre partial flush volume with dual-flush system. Remaining volume can be used for immediate cleaning flush.
- Insulated against condensation water
- For TECE flush plates and toilet flush handle
- Can be set as a single or dual-flush cistern depending on the flush plate used
- Certified in accordance with DIN EN 14055
- Acoustic group 1 in accordance with DIN 4109
- Low-noise hydraulic filling valve

Module consisting of:

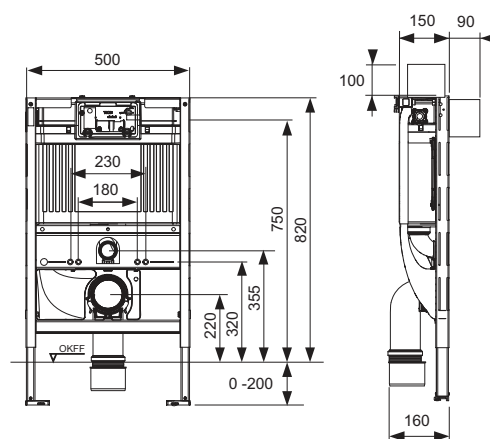
- Self-supporting installation frame, powder-coated
- Two M12 retaining bolts and nuts
- Two depth-adjustable module attachments
- Toilet drain bend DN 90 incl. joint adapter DN 90/100 made of PP
- Joint adapter also suitable for horizontal installation
- Toilet connection set DN 90
- Conduit incl. insert funnel for universal positioning of the water connection
- Cable box for universal positioning of the power connection
- Shell structure cover with protective plugs

Please order separately:

- Toilet flush plate (see flush plates)
- Insert chute for cleaning tablets
- Fine installation set for universal shower toilet module 820 mm

Note:

- If toilet ceramics with a reduced supporting surface are used (= distance from middle of attachment bolt to lower edge of supporting surface is not greater than 18 cm) - e.g. V & B Memento, Sentique, Subway 2.0 - it is necessary to install the steel brace set 9041029 in the lower build space.
- If the flush plate is fitted in front and a compact ceramic system is used in the case of cisterns with a low installation height, the toilet lid may occasionally drop down unintentionally. When using compact ceramic systems (e.g.: Ideal-Standard: San Remo slimline R 3493; V & B: Viala 765310, Viala 765210; Keramag: Renova-Comprimo 204550; Joly 203060) fit flush plate with top actuation only.



Order No.	DU 1	DU 2	DU 3
9300080	1 pc.	10 pc.	60 pc.

# TECEprofil – Toilet modules

## TECEprofil toilet module TECEprofil with Uni cistern, for TOTO Neorest Washlet (WC) AC 2.0/EW 2.0, installation height 1120 mm

Toilet module for attaching to TECEprofil section tubes or to install in metal or wooden post-and-beam walls and as pre-wall or corner module; also suitable for single block assembly.

Completely pre-assembled unit, consisting of:

Uni cistern for front actuation:

- Safety tank made from impact-resistant plastic
- Cistern fully pre-assembled and sealed
- Cistern connection with 1/2" inner thread
- 10 litre tank volume; 6 litre pre-set standard flush volume; option of setting a 4.5/7.5/9 litre flush at any time; 3 litre low-volume flush for dual-flush system. Remaining volume can be used for immediate cleaning flush.
- Insulated against condensation water
- For TECE flush plates and toilet flush handle
- Can be set as a single or dual-flush cistern depending on the flush plate used.
- Certified in accordance with DIN EN 14055
- Acoustic group 1 in accordance with DIN 4109
- Low-noise hydraulic filling valve

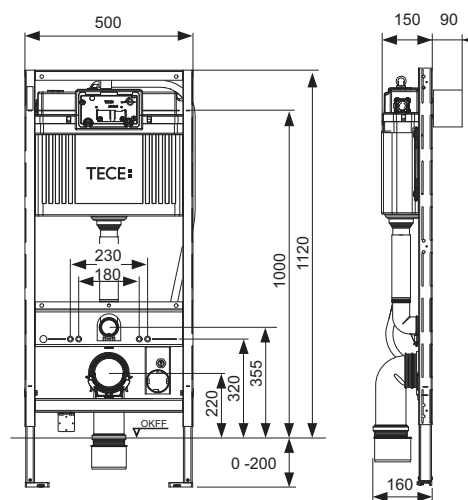
Module consisting of:

- Self-supporting installation frame, powder-coated
- Two M 12 retaining bolts and nuts
- Toilet drain bend DN 90 incl. toilet adapter DN 90/100 made of PP
- Joint adapter also suitable for horizontal installation
- Toilet connection set DN 90, includes assembly protection plugs
- Pre-mounted control cable for automatic actuation flush function with TOTO Neorest shower toilet
- Pre-mounted hollow-wall box for power connection of the shower toilet
- Pre-mounted retaining plate for water connection of the shower toilet
- Wall disk 1/2" x 1/2" incl. sound insulation
- Four depth-adjustable wall attachments

A raised ceramic mounting for a sitting height of 48 cm can be added in keeping with German standard DIN 18040 (DIN 18040: Barrier-free construction - Part 1: Publicly accessible buildings and workplaces).

Please order separately:

- Toilet flush plate (see flush plates)
- Insert chute for cleaning tablets



Order No.	DU 1	DU 2	DU 3
9300044	1 pc.	10 pc.	60 pc.

## TECEprofil toilet Geronto module, with Uni cistern, in accordance with DIN 18040-1, installation height 1120 mm

Toilet module for the installation to TECEprofil section tubes or to flush-mounted profile walls or in front of a solid wall. For barrier-free construction with raised ceramic mounting.

Module with lateral steel frames and conduits for cable laying including mounting materials.

**Safety support arm = 760 mm**

Partially pre-assembled unit, consisting of:

Uni cistern for front actuation:

- Safety tank made of impact-resistant plastic
- Cistern completely pre-assembled and sealed
- Cistern connection with 1/2" inner thread
- 10-litre tank volume; 6-litre pre-set standard flush volume; 4.5/7.5/9-litre flush volume setting option at any time; 3-litre partial flush volume with dual-flush system. Remaining volume can be used for immediate cleaning flush.
- Insulated against condensation water
- For TECE flush plates, toilet electronics and toilet flush handle
- Can be set as a single or dual-flush cistern depending on the flush plate used
- Certified in accordance with DIN EN 14055
- Acoustic group 1 in accordance with DIN 4109
- Low-noise hydraulic filling valve

Module consisting of:

- Self-supporting installation frame, powder-coated
- Two adjustable supports for floor projections of 0-200 mm
- Two M12 retaining bolts and nuts
- Eight depth-adjustable modular attachments
- Four multi-clips for attachment to a TECEprofil wall
- Lateral steel frames to hold the steel plate sets
- Toilet drain bend DN 90 incl. joint adapter DN 90/100 made of PP
- Joint adapter also suitable for horizontal installation
- Toilet connection set DN 90, including protective plugs

**Please order separately:**

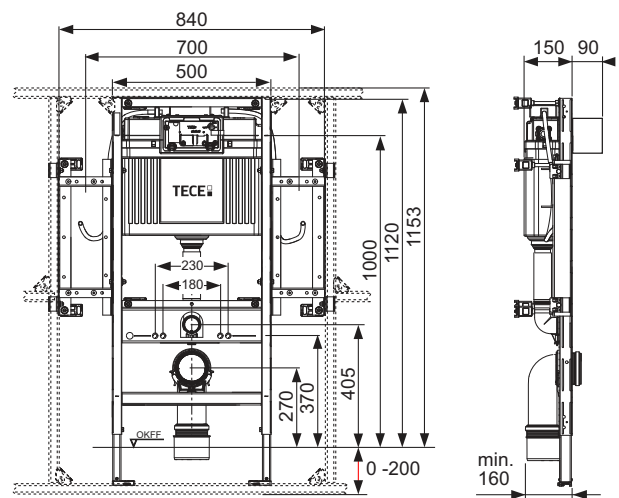
- Steel plate set to hold the safety support arms (90420xx)
- Toilet electronics (such as TECEplanus toilet remote actuation)
- Toilet flush plate (see actuations)
- TECEone dry-wall upgrade set

**Note:**

If toilet ceramics with a reduced supporting surface are used (= distance from middle of attachment bolt to lower edge of supporting surface is not greater than 18 cm) - e.g. V & B Memento, Sentique, Subway 2.0 - it is necessary to install the steel brace set 9041029 in the lower build space.

**Warning:**

Matching steel/wooden plate set for holding the safety arm support must be ordered separately! Depending on the manufacturer, concealed cabling may not be possible for all safety support arms.

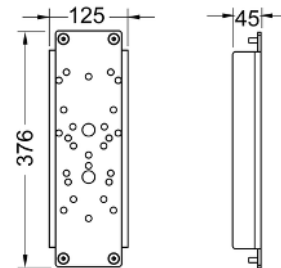


Order No.	DU 1	DU 2	DU 3
9300009	1 pc.	10 pc.	60 pc.

# TECEprofil – Toilet modules

## TECEprofil steel plate set to hold the safety arm support

Consisting of two steel plates including mounting material for installation to WC Geronto module 9300009. The attachment screws for assembling the safety support arms are not contained in the scope of delivery.



Order No.	Manufacturer	Type		
9042010	Erlau	Ovalgrip		
	Hewi	Serie 801/802 (Lifesystem)/805		
	Keuco	Collection Plan		
	Linido	LI2601		
	Normbau	Nylon Care		
	Pressalit	Care R3016-RF016, R3018-RF018		
9042011	Erlau	Economy		
	FSB	82 8224 06011, 82 8224 06012 82 8224 07011, 82 8224 07012		
	Linido	LI2603		
9042012	Erlau	XSE		
	Lehnen	Evolution		
	PBA	4CN.445.00RL u.a. der Serie 400-NY		
	SAM	free line		
9042013	Deubad	Maxima Typ G40		
	Emco	35 85 212 85, 35 85 212 60		
	Hergert	10.036.00.1000, 10.036.01.1000, 10.037.01.1000, 10.056.00.1000, 10.056.01.1000, 10.056.18.1000, 10.056.19.1000, 10.057.00.1000, 10.057.01.1000, 10.058.06.1000		
		Normbau	Inox Care	
		rehagrip	A-, B-, D- und E-Serie	
		Terma	Wlon	
		9042016	Deubad	DEU-WAVE
			FSB	82 8224 06001, 82 8224 06002 82 8224 07001, 82 8224 07002 82 8224 08501 bis 82 8224 08508 82 8224 08531, 82 8224 08532 82 8224 09001, 82 8224 09002 82 8224 09031, 82 8224 09032 82 8224 06041, 82 8224 06042 82 8224 07041, 82 8224 07042 82 8224 08541, 82 8224 08542
	Hewi			Serie 950
	Normbau			Cavere Care-Vario
9042017	Lehnen			Basic, Concept, Novus, Funktion
9042018	Erlau			ASK
	PROVEX			Serie 400/Serie 300/Serie 250

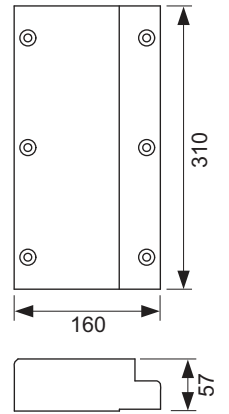
Order No.	DU 1	DU 2
9042010	1 set	10 set
9042011	1 set	10 set
9042012	1 set	10 set
9042013	1 set	10 set
9042016	1 set	10 set
9042017	1 set	10 set
9042018	1 set	10 set

## TECEprofil wooden plate set to hold the safety arm supports

Wooden plate set consisting of two waterproof wooden plates made of glued veneer including mounting materials for installation to toilet Geronto module. The attachment screws for assembling the safety support arms are not contained in the scope of delivery.

### Note:

Not prepared for safety support arm with cable-linked flush.



Order No.	DU 1	DU 2
9042008	1 set	10 set

# TECEprofil – Toilet modules

## TECEprofil toilet module with Uni cistern, with connection for odour extraction, installation height 1120 mm

Toilet module for attaching to TECEprofil section tubes or to install in metal or wooden post-and-beam walls and as pre-wall or corner module; also suitable for single block assembly.

Completely pre-assembled unit, consisting of:

Uni cistern for front actuation:

- Safety tank made from impact-resistant plastic
- Cistern fully pre-assembled and sealed
- Cistern connection with 1/2" inner thread
- 10 litre tank volume; 6 litre pre-set standard flush volume; option of setting a 4.5/7.5/9 litre flush at any time; 3 litre low-volume flush for dual-flush system. Remaining volume can be used for immediate cleaning flush.
- insulated against condensation water
- For TECE flush plates and toilet flush handle
- Can be set as a single or dual-flush cistern depending on the flush plate used.
- Certified in accordance with DIN EN 14055
- Acoustic group 1 in accordance with DIN 4109
- Low-noise hydraulic filling valve
- Connection for odour extraction (DN 70)

Module consisting of:

- Self-supporting installation frame, powder-coated
- Two M12 retaining bolts and nuts
- Toilet drain bend DN 90 incl. toilet adapter DN 90/100 made of PP
- Joint adapter also suitable for horizontal installation
- Toilet connection set DN 90, includes assembly protection plugs

Matching fan e.g.:

- Maico ER 100
- Lunos Skalar-2SG

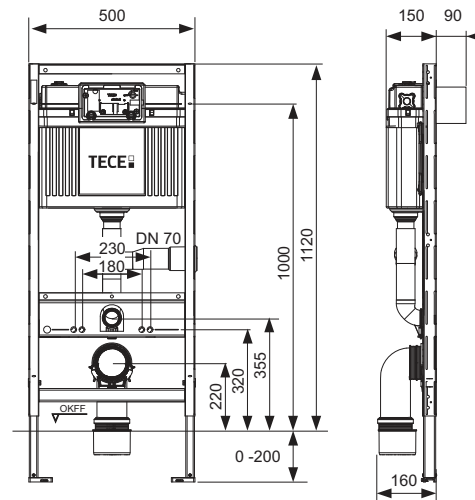
A raised ceramic mounting for a sitting height of 48 cm can be added in keeping with German standard DIN 18040 (DIN 18040: Barrier-free construction - Part 1: Publicly accessible buildings and workplaces).

**Please order separately:**

- Toilet flush plate (see flush plates)
- Insert chute for cleaning tablets
- TECEone upgrade set for dry-wall

**Note:**

- If toilet ceramics with a reduced supporting surface are used (= distance from middle of attachment bolt to lower edge of supporting surface is not greater than 18 cm) - e.g. V & B Memento, Sentique, Subway 2.0 - it is necessary to install the steel brace set 9041029 in the lower build space.
- It is possible to fit odour extraction to all common toilet ceramics. However, the flushing water remains standing in the flush pipe of some ceramics with a higher sitting position or higher flushing rim, resulting in the bowl becoming partially or completely full. The current "Technical Information" offers an overview of the affected ceramics in which it is not possible to fit the odour extraction option.



Order No.	DU 1	DU 2	DU 3
9300003	1 pc.	10 pc.	60 pc.



## TECEprofil toilet module with Uni cistern, for children's standing toilet, installation height 1120 mm

Toilet module for attaching to TECEprofil section tubes or to install in metal or wooden post-and-beam walls and as pre-wall or corner module; also suitable for single block assembly.

Completely pre-assembled unit, consisting of:

Uni cistern for front actuation:

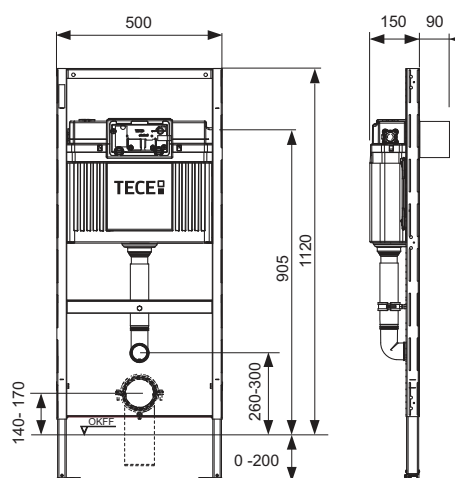
- Safety tank made from impact-resistant plastic
- Cistern fully pre-assembled and sealed
- Cistern connection with 1/2" inner thread
- 10 litre tank volume; 6 litre pre-set standard flush volume; option of setting a 4.5/7.5/9 litre flush at any time; 3 litre low-volume flush for dual-flush system. Remaining volume can be used for immediate cleaning flush
- Insulated against condensation water
- For TECE flush plates and toilet flush handle
- Can be set as a single or dual-flush cistern depending on the flush plate used
- Certified in accordance with DIN EN 14055
- Acoustic group 1 in accordance with DIN 4109
- Low-noise hydraulic filling valve

Module consisting of:

- Self-supporting installation frame, powder-coated

Please order separately:

- Toilet flush plate (see flush plates)
- Fitting for pre-wall, corner or wooden post-and-beam structures
- Insert chute for cleaning tablets
- Toilet connection elbow



Order No.

9300088

DU 1

1 pc.

# TECEprofil – Toilet modules

## TECEprofil toilet module with Uni cistern, for Keramag Espital sink, installation height 1340 mm

Toilet module for attaching to TECEprofil section tubes or to install in metal or wooden post-and-beam walls and as pre-wall or corner module.

Completely pre-assembled unit, consisting of:

Uni cistern for front actuation:

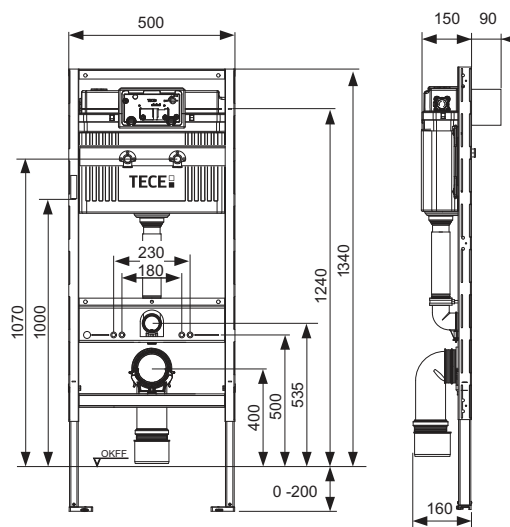
- Safety tank made from impact-resistant plastic
- Cistern fully pre-assembled and sealed
- Cistern connection with 1/2" inner thread
- 10 litre tank volume; 6 litre pre-set standard flush volume; option of setting a 4.5/7.5/9 litre flush at any time; 3 litre low-volume flush for dual-flush system. Remaining volume can be used for immediate cleaning flush.
- Insulated against condensation water
- For TECE flush plates and toilet flush handle
- Can be set as a single or dual-flush cistern depending on the flush plate used
- Certified in accordance with DIN EN 14055
- Acoustic group 1 in accordance with DIN 4109
- Low-noise hydraulic filling valve

Module consisting of:

- Self-supporting installation frame, powder-coated
- Two adjustable supports for floor projections of 0-200 mm
- Two pre-assembled, sound-insulated 1/2" x 1/2" wall disks to hold wall-mounted fittings
- Two M12 retaining bolts and nuts
- Mounting distance 180 or 230 mm
- Toilet drain bend DN 90 incl. joint adapter DN 90/100 made of PP
- Joint adapter also suitable for horizontal installation
- Toilet connection set DN 90, including protective plugs

Please order separately:

- Toilet flush plate (see flush plates)
- Fitting for pre-wall, corner or wooden post-and-beam structures
- Insert chute for cleaning tablets



Order No.	DU 1	DU 2	DU 3
9300066	1 pc.	10 pc.	60 pc.

## TECEprofil washstand module, installation height 1120 mm

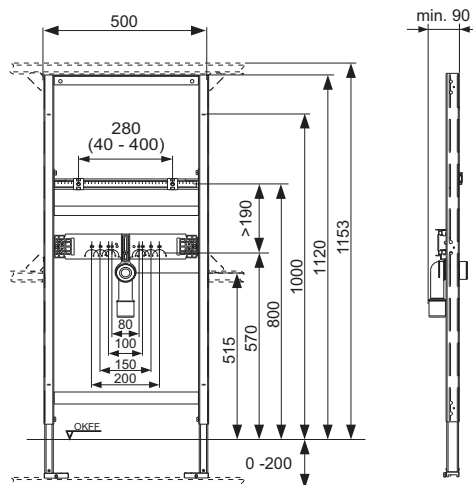
To attach to TECEprofil section tubes or to install in metal or wooden post-and-beam walls and as pre-wall or corner module.

Completely pre-assembled unit, consisting of:

- Self-supporting assembly frame, powder coated
- Two M 10 retaining bolts, vertically and laterally adjustable distance gauge
- Sound-insulated mounting crossbeams to attach wall disks
- Connection bend DN 40/50 with rubber collar, NW 30/50 (also acts as seal), protective plug

Please order separately:

- Wall disks TECEflex 16 x 1/2", TECE 1/2" x 1/2", TECElogo 16 x 1/2" or TECElogo 20 universal connection x 1/2"
- Fitting for pre-wall, corner or wooden post-and-beam structures
- Mounting crossbeam for flush-mounted/external fittings 9020041



Order No.	DU 1	DU 2	DU 3
9310000	1 pc.	10 pc.	60 pc.

## TECEprofil washstand module, installation height 980 mm

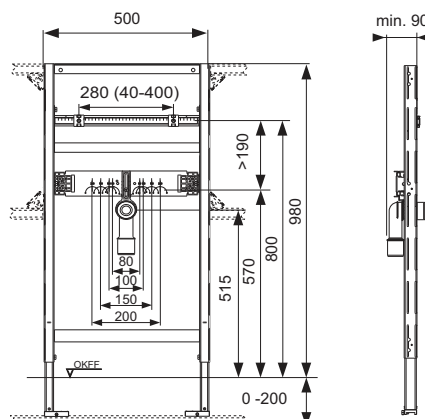
To attach to TECEprofil section tubes or to install in metal or wooden post-and-beam walls and as pre-wall or corner module.

Completely pre-assembled unit, consisting of:

- Self-supporting assembly frame, powder coated
- Two M 10 retaining bolts, vertically and laterally adjustable distance gauge
- Sound-insulated mounting crossbeams to attach wall disks
- Connection bend DN 40/50 with rubber collar, NW 30/50 (also acts as seal), protective plug

Please order separately:

- Wall disks TECEflex 16 x 1/2", TECE 1/2" x 1/2", TECElogo 16 x 1/2" or TECElogo 20 universal connection x 1/2"
- Fitting for pre-wall, corner or wooden post-and-beam structures



Order No.	DU 1	DU 2	DU 3
9310011	1 pc.	10 pc.	60 pc.

# TECEprofil – Washstand modules

## TECEprofil washstand module with concealed odour trap, installation height 1120 mm

To attach to TECEprofil section tubes or to install in metal or wooden post-and-beam walls and as pre-wall or corner module.

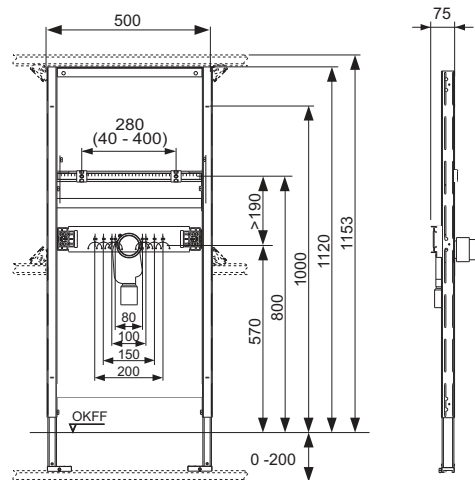
For construction of washstand units with a ground clearance to DIN 18040 – 1 (construction of accessible buildings – Part 1: Publicly accessible buildings).

Completely pre-assembled unit, consisting of:

- Self-supporting assembly frame, powder coated
- Two M 10 retaining bolts, vertically and laterally adjustable distance gauge
- Sound-insulated mounting crossbeams to affix wall disks, borehole gauges 80 mm, 120 mm, 150 mm and 200 mm
- DN 50 concealed odour trap with removable U-bend insert, nominal diameter 30, (also acts as seal) incl. protective plug

### Please order separately:

- Wall disks TECEflex 16 x 1/2", TECE 1/2" x 1/2", TECElogo 16 x 1/2" or TECElogo 20 universal connection x 1/2"
- Connection bend for concealed odour trap 9080001
- Fitting for pre-wall, corner and wooden post-and-beam installation
- Mounting crossbeam for flush-mounted/external fittings 9020041



Order No.	DU 1	DU 2	DU 3
9310004	1 pc.	10 pc.	60 pc.

TECEprofil washstand module including two assembly blocks for mounting water meter measuring capsules, installation height 1120 mm **NEW**

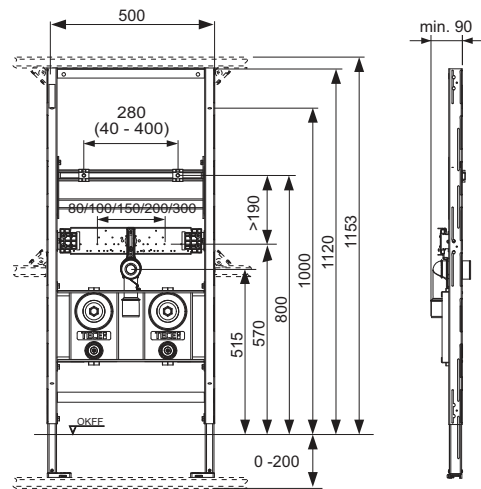
Washstand module for attaching to TECEprofil section tubes or for installation in metal or wooden post-and-beam walls and as a pre-wall or corner module.

Completely pre-assembled unit, consisting of:

- Self-supporting assembly frame, powder-coated
- Two M 10 retaining bolts, height and laterally adjustable distance gauge
- Sound-insulated mounting crossbeams to attach wall disks
- Connection elbow DN 40/50 with rubber collar, NW 30/50 (also acts as seal), including protective plugs
- Two assembly blocks for water meter G2" with connection Rp 3/4"

Please order separately:

- Two final installation sets for flush-mounted valve, chromed
- Wall disks TECEflex 16 x 1/2", TECE 1/2" x 1/2", TECElogo 16 x 1/2" or TECElogo 20 universal connection x 1/2"
- Fitting for pre-wall, corner or wooden post-and-beam structures



Order No.		DU 1	DU 2	DU 3
9310017	<b>NEW</b>	1 pc.	10 pc.	60 pc.

# TECEprofil – Washstand modules

## TECEprofil washstand module for sink, installation height 1120 mm

To attach to TECEprofil section tubes or to install in metal or wooden post-and-beam walls and as pre-wall or corner module.

Completely pre-assembled unit, consisting of:

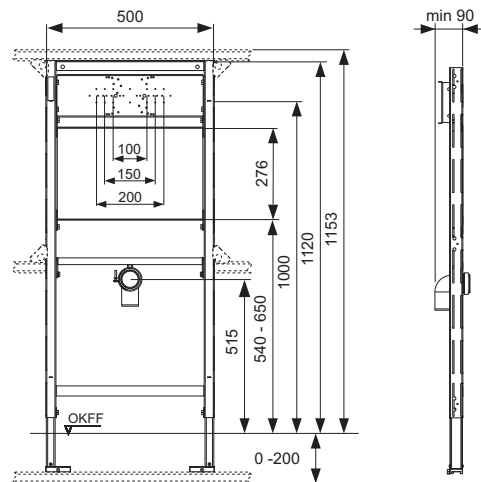
- Self-supporting assembly frame, powder coated
- Watertight glued mounting plate made of structural veneer pursuant to DIN 68705
- Mounting crossbeam for the attachment of external fittings
- High-temperature connection bend DN 50 incl. protective plug

### Please order separately:

- Wall disks TECEflex 16 x 1/2", TECE 1/2" x 1/2", TECElogo 16 x 1/2" or TECElogo 20 universal connection x 1/2"
- Fitting for pre-wall, corner or wooden post-and-beam structures



Order No.	DU 1	DU 2	DU 3
9310002	1 pc.	10 pc.	60 pc.



## TECEprofil urinal module with TECE flush valve housing U 2, installation height 1120 mm

Urinal module for combination with TECEfilo urinal electronics, for fitting to TECEprofil section tubes or for installation in metal or wooden post-and-beam walls and as a pre-wall or corner module.

Completely pre-assembled unit, consisting of:

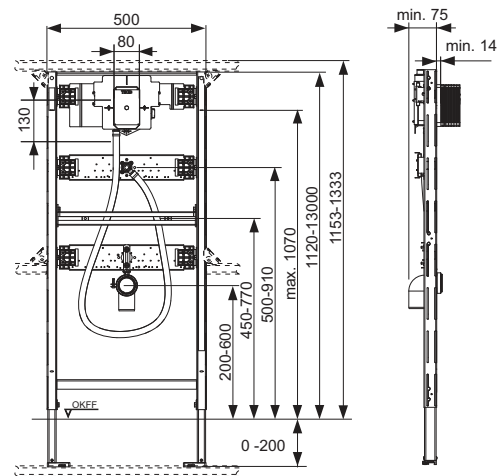
- TECE urinal flush valve housing U 2 with inlet flow control and bare-wall protection system
- 230 V/12 V integrated transformer for direct 230 V connection
- Connection IT Rp 1/2"
- Two adjustable supports for floor projections of 0-200 mm
- Installation depth 75 mm
- Two M 8 retaining bolts
- Continuously adjustable fixing rails
- Continuously height-adjustable drain connection
- Connection bend DN 50 including protective plugs
- Mounting material for urinal
- Inlet fitting 1/2"

### Please order separately:

- TECEfilo urinal electronics (see section on urinal actuators)
- Fitting for individual pre-wall, corner or wooden post-and-beam structures

### Caution:

Not suitable for semi-recessed urinals, e.g. Keramag Joly and Visit.



Order No.	DU 1	DU 2
9320013	1 pc.	10 pc.

# TECEprofil – Urinal modules

## TECEprofil urinal module with TECE flush valve housing U 1, installation height 1120 mm

Urinal module to hold manual and electronic actuation systems. For fitting to TECEprofil section tubes or for installation in metal or wooden post-and-beam walls and as a pre-wall or corner module.

Completely pre-assembled unit, consisting of:

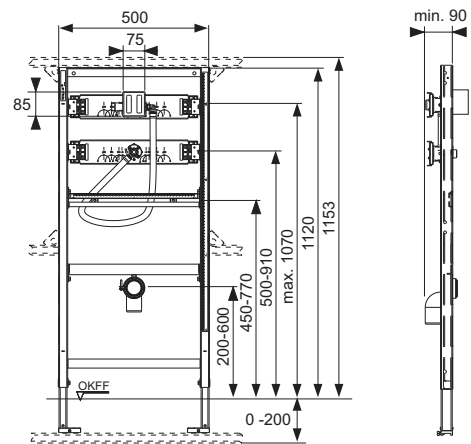
- TECE urinal flush valve housing U 1 with inlet flow control and bare-wall protection system
- Connection Rp 1/2"
- Two adjustable supports for floor projections of 0-200 mm
- Two M 8 retaining bolts
- Continuously adjustable fixing rails
- Continuously height-adjustable drain connection
- Connection bend DN 50 including protective plugs
- Mounting material for urinal
- Inlet fitting 1/2"

### Please order separately:

- Manual actuation or electronics
- Fitting for individual pre-wall, corner or wooden post-and-beam structures

### Caution:

Not suitable for semi-recessed urinals, e.g. Keramag Joly and Visit.



Order No.	DU 1	DU 2	DU 3
9320008	1 pc.	10 pc.	60 pc.



## TECEprofil urinal module for external flush valve, installation height 1120 mm

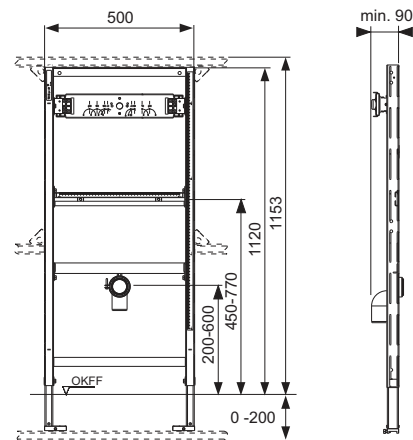
To hold external flush valves. To attach to TECEprofil section tubes or to install in metal or wooden post-and-beam walls and as pre-wall or corner module.

Completely pre-assembled unit, consisting of:

- Self-supporting mounting frame, powder coated
- Two adjustable supports for floor constructions between 0-200 mm
- Two M 8 retaining bolts
- Continuously adjustable fixing rails
- Continuously height-adjustable drain connection
- DN 50 high-temperature drain bend incl. protective plug
- Mounting material for urinal

### Please order separately:

- Fitting for pre-wall, corner or wooden post-and-beam structures



Order No.	DU 1	DU 2	DU 3
9320010	1 pc.	10 pc.	60 pc.

# TECEprofil – Bath/shower module

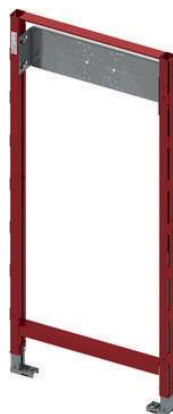
TECEprofil bath/shower module for flush-mounted and external fittings, installation height 1120 mm

To take external or flush-mounted fittings.

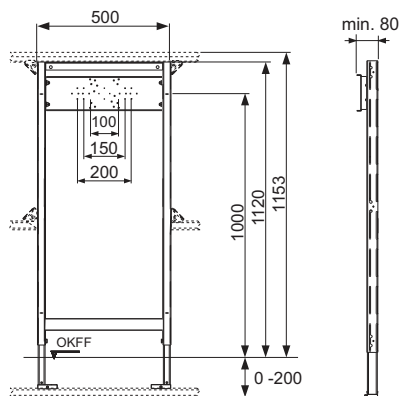
To attach to TECEprofil section tubes or to install in metal or wooden post-and-beam walls and as pre-wall or corner module.

Completely pre-assembled unit, consisting of:

- Self-supporting mounting frame, powder coated
- Two adjustable supports for floor constructions between 0-200 mm
- Continuously adjustable crossbeam to take flush-mounted fittings or wall disks



Order No.	DU 1	DU 2	DU 3
9340000	1 pc.	10 pc.	60 pc.



**TECEprofil bidet module for wall-mounted bidet, installation height 1120 mm**

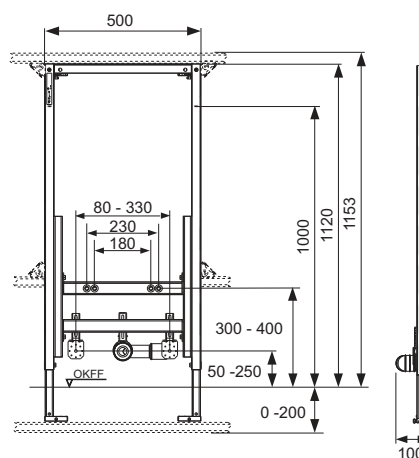
To attach to TECEprofil section tubes or to install in metal or wooden post-and-beam walls and as pre-wall or corner module.

Completely pre-assembled unit, consisting of:

- Self-supporting, powder coated assembly frame and two adjustable supports for floor constructions between 0-200 mm
- Two M 12 retaining bolts and nuts
- Continuously height-adjustable drain connection
- Connection bend DN 40/50, with rubber collar, nominal diameter 30/50, (also acts as seal), incl. protective plug

**Please order separately:**

- Wall disks TECEflex 16 x 1/2", TECE 1/2" x 1/2", TECElogo 16 x 1/2" or TECElogo 20 universal connection x 1/2"
- Fitting for pre-wall, corner or wooden post-and-beam structures



Order No.	DU 1	DU 2	DU 3
9330000	1 pc.	10 pc.	60 pc.

**TECEprofil bidet module for wall-mounted bidet, installation height 820 mm**

To attach to TECEprofil section tubes or to install in metal or wooden post-and-beam walls and as pre-wall or corner module.

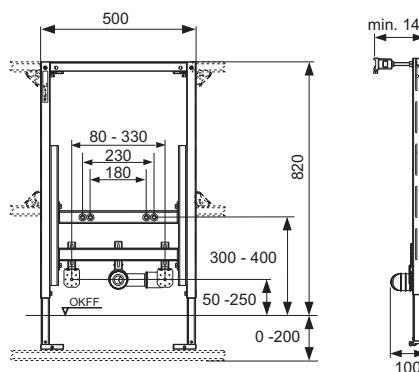
Completely pre-assembled unit, consisting of:

- Self-supporting, powder coated assembly frame and two adjustable supports for floor constructions between 0-200 mm
- Two M 12 retaining bolts and nuts
- Continuously height-adjustable drain connection
- Connection bend DN 40/50, with rubber collar, nominal diameter 30/50, (also acts as seal), incl. protective plug
- Two depth-adjustable module attachments

In combination with telescopic attachment 9380001 it can also be fitted in a TECEprofil pre-wall for installation height 980 mm.

**Please order separately:**

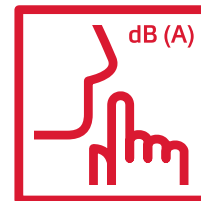
- Fitting for corner or wooden post-and-beam structures
- Wall disks TECEflex 16 x 1/2", TECE 1/2" x 1/2", TECElogo 16 x 1/2" or TECElogo 20 universal connection x 1/2"
- Telescopic attachment TECEprofil for modules 9380001



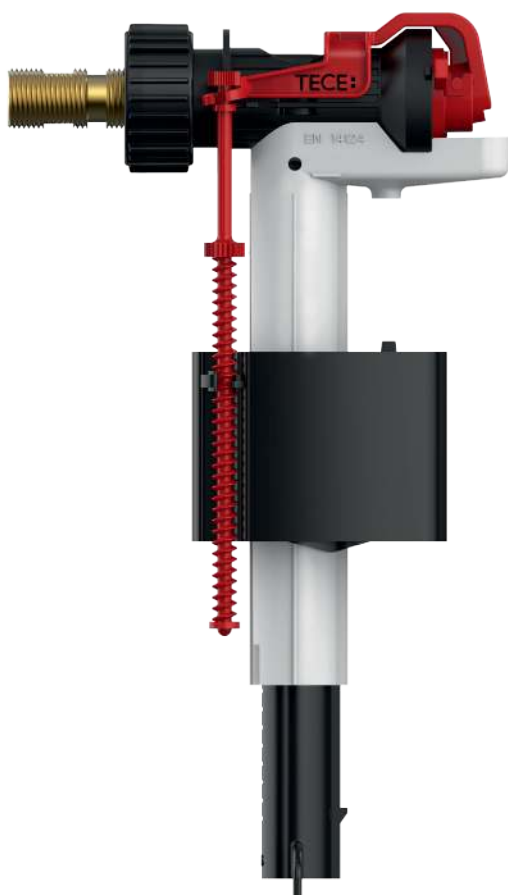
Order No.	DU 1	DU 2	DU 3
9330005	1 pc.	10 pc.	60 pc.

# The F 10 filling valve – for all conventional concealed and wall-mounted cisterns

The filling valve F 10 fits almost all standard concealed and wall-mounted cisterns with 3/8" thread. The filling valve fulfils the requirements of acoustic group 1 and is particularly quiet.



Sanitary Module



## Product Highlights

- Suitable for all conventional Geberit, Grohe / DAL, Sanit, Viega, Friatec and other cisterns
- For concealed and wall-mounted cisterns
- Extremely quiet: Acoustic group I (DIN 4109)
- Approved in accordance with DIN EN 14124, WRAS / KIWA

Compatible with manufacturer	Concealed cisterns
------------------------------	--------------------

<b>TECE</b>	All TECE cisterns
<b>Geberit</b>	UP320 / UP300 / Sigma 12 cm
	UP200 / Kappa 15 cm
	UP100 / Delta 12 cm
	UP120 (Artline) / Kappa 15 cm
	UP130 / 110.800 / Twinline 12 cm
	UP170 / 110.700 / Twinline 8 cm
	UP700 / Unica
	Omega 12 cm
	NUVO / 110.620
	Monolith
<b>Grohe / DAL</b>	Grohe DAL 320, Grohe DAL 330
	Grohe DAL 336
	Grohe DAL 337, 6 I, 6-9 I, AV 1, GD 2
<b>Sanit</b>	Ineo Plus, Ineo Solo
	Ineo 80, Ineo, Ineo In
	CC-120-L-FO-2V-L
	982N, 983N, 988C
	980N, 995N
<b>Viega</b>	1H, 1L, 1S
	2H, 2L, 2S
	1C, 2C
<b>Friatec</b>	302003 (Friabloc, Friaset, Wimo)
	302006 (Friafix, Friaset, Wimo, Friaplan)
	302010 (Friabloc, Friaset, Wimo, Friaplan)
	352005 (Friabloc, Wimo, Friaplan)
<b>Wall-mounted cisterns</b>	with 3/8" threaded connector

**TECEprofil module for safety arm support and support systems**

For installation in a UA profile stud walls or as pre-wall element.

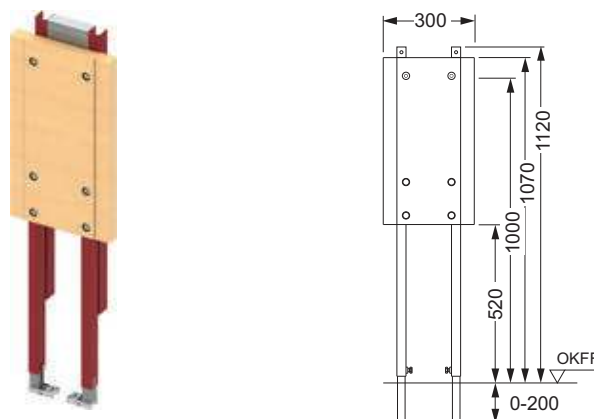
Completely pre-assembled unit, consisting of:

- self-supporting mounting frame, powder-coated
- watertight, multi-glued wood inlay panel
- Mounting materials for fixing to a UA profile wall

Please order separately:

- Depth-adjustable module attachment 9380000 for pre-wall assembly

Order No.	DU 1	DU 2
9360000	1 pc.	10 pc.



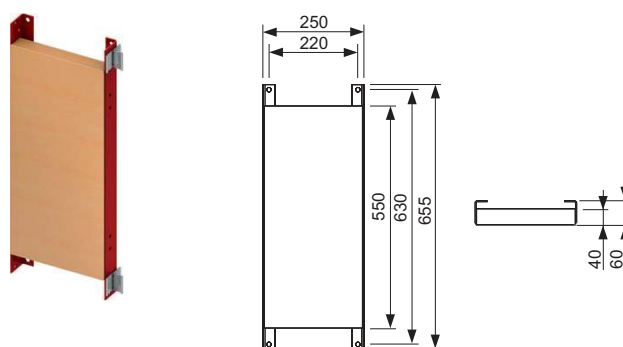
**TECEprofil mounting plate for safety arm support and support systems**

For the stable fixing of support handles and holding systems in a TECEprofil supporting structure or a UA profile stud wall.

Pre-assembled unit, consisting of:

- Attachment plate for screwing to a TECEprofil universal module, of water-tight glued veneer
- two multi-clamps for fixing to the TECEprofil supporting structure

Order No.	DU 1
9042003	1 pc.



**TECEprofil module attachment with depth adjustment and quick closure** NEW

To attach modules to a solid structural wall and to the TECEprofil section tube, installation spacing 150-240 mm.

Consisting of:

- Two depth-adjustable module attachments
- Mounting materials

Order No.	NEW	DU 1
9380014		1 pc.



**TECEprofil depth-adjustable module attachment**

To attach modules to a solid structural wall, fixing centres 150-240 mm.

Consisting of:

- Two depth-adjustable module attachments
- Fixing material

Order No.	DU 1	DU 2	DU 3
9380000	1 pc.	10 pc.	60 pc.



# TECEprofil – Accessories

## TECEprofil wall attachment

Single module attachment to fasten a module to a stable wall.

Order No.	DU 1	DU 2
9380300	1 pc.	20 pc.



## TECEprofil wall attachment 45°

Module attachment to fasten a module to a stable wall at a 45° angle.

Order No.	DU 1	DU 2
9380301	1 pc.	20 pc.



## TECEprofil hanger bolts for solid walls

Module attachment using hanger bolts in front of solid walls. For supporting structure heights of 145-175 mm.

Consisting of:

- Two hanger bolts with dowels
- Four flange nuts

Order No.	DU 1	DU 2
9380007	10 pc.	40 pc.



## TECEprofil mounting set for UA profile walls

Fixing material to attach TECEprofil modules to lateral flush-mounted profiles. Suitable for flush-mounted 50 profiles to DIN 18182 Part 1.

Consisting of:

- Four bolts with nuts
- Eight washers

Order No.	DU 1	DU 2
9380006	1 set	5 set



## TECEprofil mounting set for wooden post-and-beam walls

Fixing material to attach TECEprofil modules to lateral post-and-beam structures.

Consisting of:

- Four hexagonal head wood screws
- Four washers

Order No.	DU 1	DU 2
9380005	1 set	5 set



**TECEprofil panel kit for niches**

Panel kit to install TECEprofil modules in niches measuring between 680-1130 mm. Compatible with all TECEprofil modules.



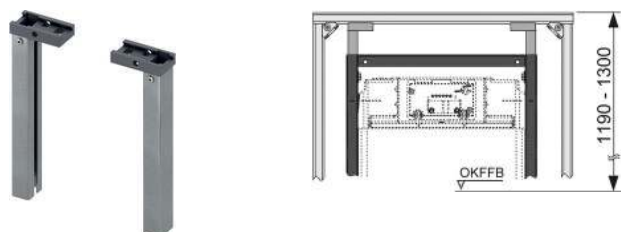
<b>Order No.</b>	<b>DU 1</b>
9380013	1 pc.

**TECEprofil telescopic attachment for modules**

To extend the lateral module braces and to fix to a horizontal TECEprofil brace.

Consisting of:

- Two height-adjustable module attachments
- Mounting material for fitting to TECEprofil section tube



<b>Order No.</b>	<b>DU 1</b>	<b>DU 2</b>
9380001	1 pc.	5 pc.

**TECEprofil height-adjustable module attachment for individual assembly**

To attach TECEprofil modules to a solid or lightweight wall. Makes it possible to adjust the depth and height of the storage surfaces.

Completely pre-assembled unit, consisting of:

- Assembly crossbeam with galvanised surface
- Two wall attachments, height-adjustable, for adjustment to tile pattern
- Mounting material for assembly in front of the wall



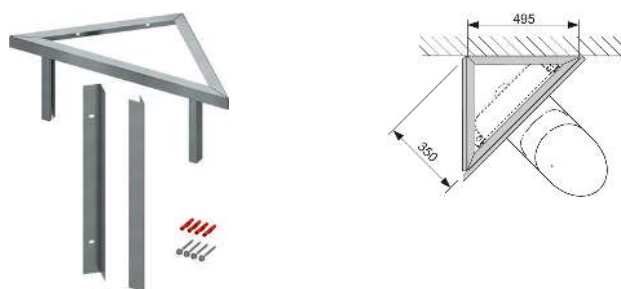
<b>Order No.</b>	<b>DU 1</b>
9380002	1 pc.

**TECEprofil module attachment for wall corner installation**

To attach TECEprofil modules to a solid or lightweight wall at a 45° angle. Only one side needs to be screwed to the wall.

Completely pre-assembled unit, consisting of:

- Assembly crossbeam with galvanised surface, height-adjustable, for adaptation to tile pattern
- Galvanised light weight wall profile to attach panel facing
- Mounting material for assembly on the wall



<b>Order No.</b>	<b>DU 1</b>
9380004	1 pc.

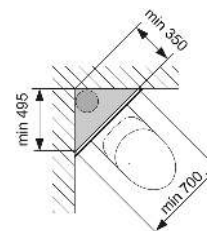
# TECEprofil – Accessories

## TECEprofil module attachment for variable corner installation

To attach TECEprofil modules in front of a structural corner. Space-saving corner assembly, incl. fitting of downpipes, ventilation pipes or supply pipes behind the module, is an option with all modules.

Consisting of:

- Two wall attachments for corner assembly, variable elbow
- Mounting material for assembly in front of the wall



Order No.	DU 1	DU 2
9380003	1 set	5 set

## TECEprofil steel brace set

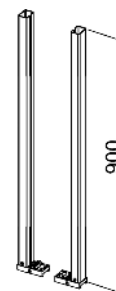
For additional support in module frames for toilet ceramics with a reduced supporting surface (= distance from middle of attachment bolt to lower edge of supporting surface is not greater than 18 cm) - e.g. V & B Memento, Sentic and Subway 2.0. Suitable for installation in all TECEprofil toilet modules.



Order No.	DU 1
9041029	1 pc.

## TECEprofil module feet, extended design

To install in TECEprofil modules with floor extensions from min. 20 cm and max. 50 cm. Galvanised version with TECEprofil module foot.

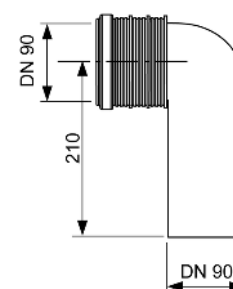


Order No.	DU 1
9030028	1 pc.

## TECEprofil 90° toilet connection elbow – DN 90/90

To connect a toilet module to a DN 90 drain pipe, three adjustable depths.

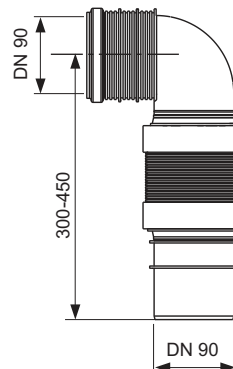
Version	Order No.	DU 1	DU 2
PE-HD	9820315	1 pc.	10 pc.
PP	9820134	1 pc.	-



## TECEprofil flexible toilet connection bend DN 90

Flexible drain bend DN 90, connection piece material PE-HD (weldable).

Order No.	DU 1
9820317	1 pc.





**TECEprofil extended toilet connection set 30 cm, DN 90**

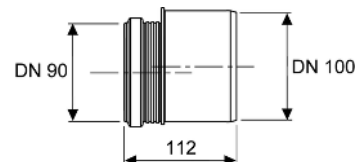
PE connection set for wall-mounted toilets.



Order No.	DU 1
9820214	1 pc.

**TECEprofil 90° toilet connector, DN 90/100**

Toilet connector to connect toilet modules horizontally to a DN 100 drain pipe.



Version	Order No.	DU 1	DU 2
PP	9820136	1 pc.	10 pc.
PVC	9820137	1 pc.	10 pc.
PE-HD	9820316	1 pc.	10 pc.

**TECEprofil flush pipe for odour extraction**

Replacement flush pipe for connection of odour extraction.



Version	Order No.	DU 1
DN 70 "right", 90°	9820078	1 pc.
DN 70 "left", 90°	9820126	1 pc.
DN 50 "right", 45°	9820127	1 pc.

**TECEprofil upgrade set for shower toilet seats**

Sound-insulated shell set for installation on all TECEprofil dry-wall modules; suitable for preparing water and power connection for shower toilet seats e.g. Duravit SensoWash D-Code and SensoWash Starck, TOTO Washlet Giovanni/GL 2.0/EK 2.0, AquaClean 4000/5000/5000plus, V & B viClean U.

Shell set consisting of:

- Hollow-wall box
- Retaining plate for hollow-wall box, for lateral assembly on the module frame
- Wall disk 1/2" x 1/2" incl. sound insulation
- Retaining plate for wall disk
- Seal sleeve
- Fixing screws



Order No.	DU 1
9880037	1 pc.

**TECE upgrade set for sh. toilet TOTO SG**

Sound-insulated shell set for installation on all TECEprofil dry-wall modules; suitable for preparing a water connection for Toto Washlet™ SG 2.0

Shell set consisting of:

- Wall disk 1/2" x 1/2" including sound insulation
- Retaining plate for wall disk
- Sealing sleeve
- Fixing screws



Order No.	DU 1
9880049	1 pc.

# TECEprofil – Accessories

Sanitary Module

## TECEprofil water connection for shower toilet

Replacement reinforced hose with integrated Tee for Uni cisterns.



Order No.	DU 1
9880036	1 pc.

## TECEprofil fine assembly set for universal shower toilet module

Fine installation set for connection of a shower toilet in combination with a universal shower toilet module.

Scope of delivery:

- Reinforced hose 3/8" IT, long
- Reinforced hose incl. 3/8" Tee with OT
- Threaded coupling 3/8" OT



Version	Order No.	DU 1
Module height 1120 mm	9880052	1 pc.
Module height 980 mm	9880053	1 pc.
Module height 820 mm	9880054	1 pc.

## TECEone upgrade set for dry-wall

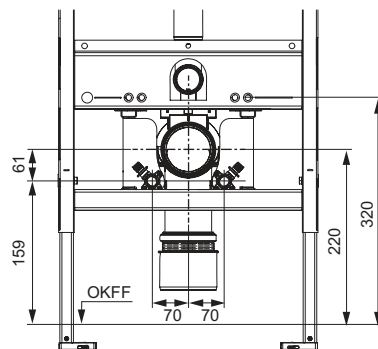
Sound-insulated shell set for pre-installation of dry-wall modules (installation depth minimum 15 cm) for the TECEone.

Shell set consisting of:

- Holding plates for hot and cold water connections
- Sound-proofing elements for wall disks
- Attachment screws for wall disks
- Safety pins for holding plates



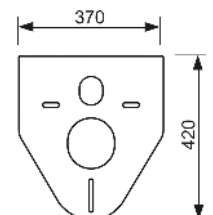
Order No.	DU 1
9880046	1 pc.



## TECEprofil sound-insulation kit for toilet and bidet

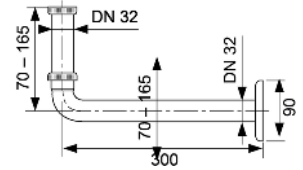
For sound insulation between the toilet or bidet ceramics and tile layer.

Order No.	DU 1	DU 2	DU 3
9200010	1 pc.	10 pc.	60 pc.



**TECEprofil connection bend for concealed odour trap**

Connection bend 1 1/4" x DN 32 with height-adjustable immersion pipe and covering anchor plate, chrome-plated brass.



Order No.	DU 1	DU 2
9080001	1 pc.	30 pc.

**TECEprofil inlet fittings for urinal**

Set consisting of:

- 1/2" connection piece
- Urinal connector



Order No.	DU 1
9820055	1 pc.

**TECE corner valve key**

For assembly/disconnection of corner valve in TECE cistern, with holder for 1/2" or 1/4" ratchet.



Order No.	DU 1
9820264	1 pc.

**TECE insert chute for cleaning tablets**

For inserting toilet cleaning tablets into TECE standard cistern (installation depth 13 cm). In combination with all TECE flush plates or TECElux glass facing with actuation unit, for front installation. Suitable for flush-mounted installation. All TECE flush plates can be retrofitted.

In brick-wall construction, to be used as of 16 mm wall thickness. Maximum brick-wall construction thickness: 60 mm dry-wall construction, 75 mm brick-wall construction.

**Caution:**

The cleaning tablets used must not contain chlorine or any other oxidizing substances.



Order No.	DU 1
9240950*	1 pc.

**TECE drain valve A 2**

For TECE standard cisterns (installation depth 13 cm), including valve seat, throttle set and actuation.



Order No.	DU 1
9820223	1 pc.

\* Not in combination with Octa cistern, 8 cm

# TECEprofil – Accessories

## TECE filling valve F 10 universal

Universal filling valve for installation in all TECE cisterns as well as almost all standard concealed and wall-mounted cisterns from other manufacturers.

Product details:

- 3/8" metal connection thread
- Flow pressure 0.1-10 bar
- Minimum flow pressure 0.5 bar
- Adjustable fill height
- Adjustable outflow pipe
- Low-noise in accordance with acoustic group I (DIN 4109)
- Compact design
- Incl. adapter and attachment nut



Order No.	DU 1	DU 2	DU 3
9820353	1 pc.	10 pc.	240 pc.

## TECE throttle set for flushing cisterns with an installation depth of 13 cm

To adapt the flushing pressure of the standard cisterns (installation depth 13 cm). Installation in valve seat of drain valve, diameter 46-28 mm.

Order No.	DU 1
9820337*	1 pc.



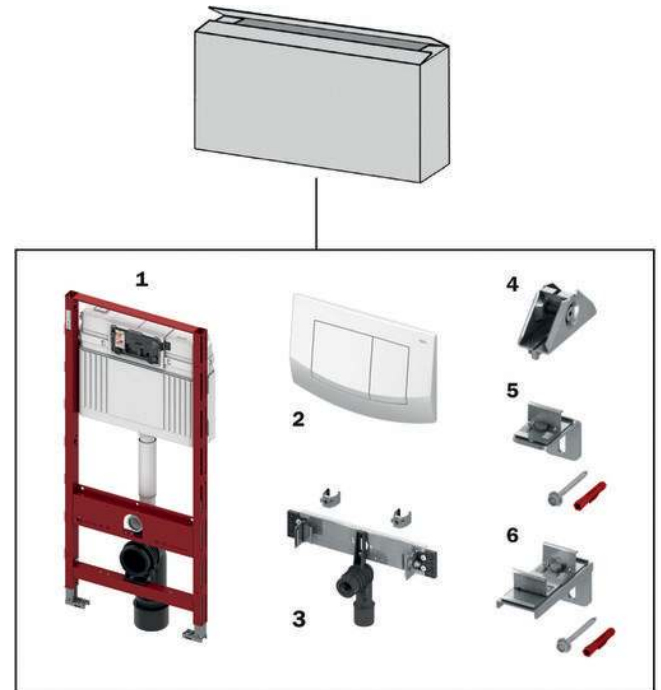
## TECEprofil starter set

Assortment of basic components, toilet and washstand unit to construct TECEprofil walls.

Consisting of:

Pos.	Order No.	Designation	Quantity
1	9300000	Toilet module with Uni cistern, installation height 1120 mm	1
2	9240200	Flush plate, dual-flush, white	1
3	9020033	Connection unit for washstand	1
4	9010002	Corner joint	30
5	9030002	Angle bracket	10
6	9030011	Double joint	5

Order No.	DU 1
9850016	1 pc.



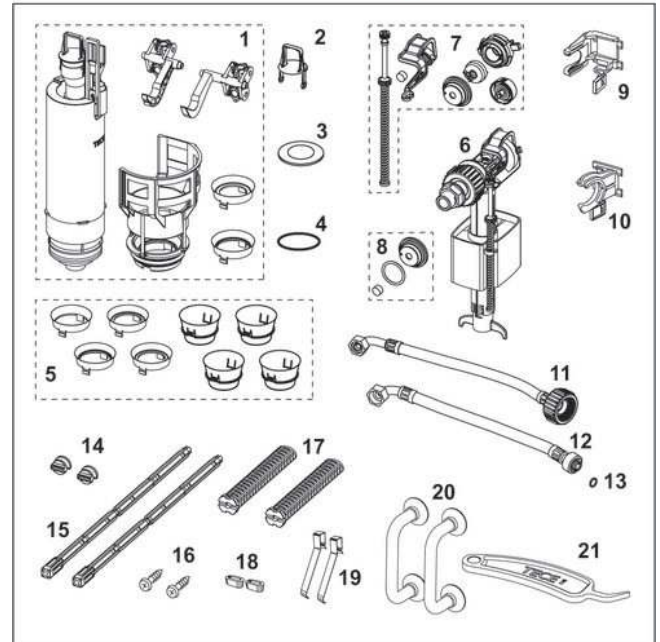
# TECEprofil – Spare parts case

## TECEprofil spare parts case for Uni cistern

Plastic assortment case with spare parts for the Uni cistern.



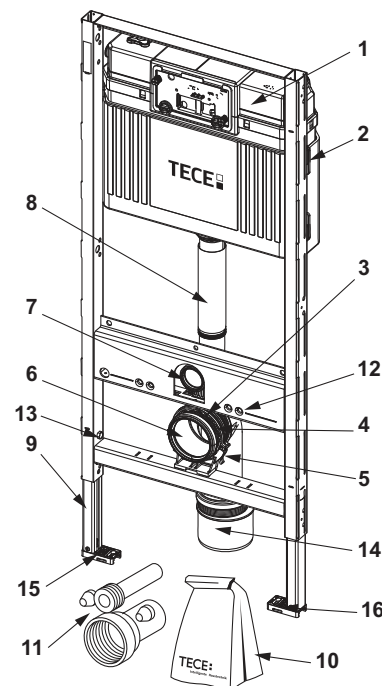
Pos.	Order No.	Designation	Quantity
1	9820223	Drain valve A2	1
2	9820222	Draw eyelet	2
3	9820233	Gasket (drain valve)	5
4	9820005	O-ring (valve seat)	10
5	9820337*	Throttle set for cisterns with an installation depth of 13 cm	1
6	9820353	Filling valve F 10 universal	1
7	9820382	Filling valve F 10 valve lever set	3
8	9820383	Filling valve F 10 sealing kit	3
9	9820372	Filling valve holder for Uni cistern (17 mm, 3/8")	2
10	9820373	Filling valve holder for Uni cistern (27 mm, M 30)	2
11	9820374	Reinforced hose M 30	1
12	9820026	Reinforced hose	1
13	9820025	O-ring	10
14	9820018	Clamping screws	5
15	9820022	Actuation rods	5
16	9820263	Fastening screw	10
17	9820019	Attaching rods	4
18	9820024	Rubber buffer, set of two	10
19	9820020	Push-button springs, set of two	10
20	9820180	Bow-type handles	1
21	9820390	Dismounting and programming key	1



Order No.	DU 1
9820000	1 pc.

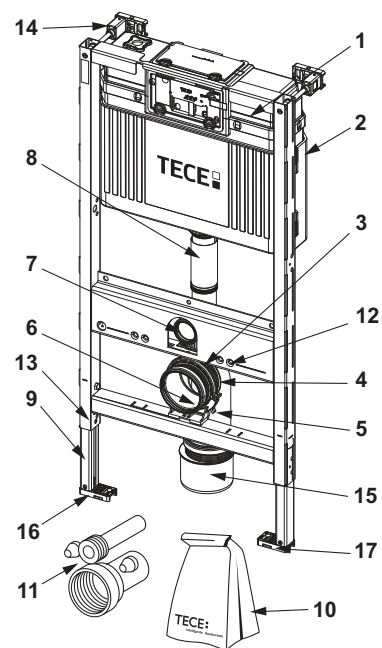
9300000 – TECEprofil toilet module with Uni cistern, installation height 1120 mm

Pos.	Order No.	Designation	DU 1
1	9820103	Uni cistern 1120 mm	1 pc.
2	9820040	Assembly kit for Uni cistern	1 pc.
3	9820041	Toilet drain bend holder (up to 03/2017)	1 pc.
	9820348	Toilet drain bend holder complete, underneath (from 04/2017)	1 pc.
4	9820042	Bracket for toilet drain bend holder (up to 03/2017)	1 pc.
5	9820134	Toilet drain bend DN 90 (PP)	1 pc.
6	9820139	Seal for toilet drain bend/adaptor	1 pc.
7	9820015	Flush pipe seal	1 pc.
8	9820011	Flush pipe with O-ring, length 269 mm	1 pc.
9	9820335	C-section for module foot	1 pc.
10	9820043	By-pack for toilet module (mounting material, etc.)	1 pc.
11	9820057	Connection set DN 90 for toilet	1 pc.
12	9820071	Clinch nut	1 pc.
13	9820447	Foot brake with steel spring	1 pc.
14	9820136	Adapter DN 90/DN 100 (PP)	1 pc.
15	9820332	Module foot with toggle left	1 pc.
16	9820333	Module foot with toggle right	1 pc.



9300022 – TECEprofil toilet module with Uni cistern, installation height 980 mm

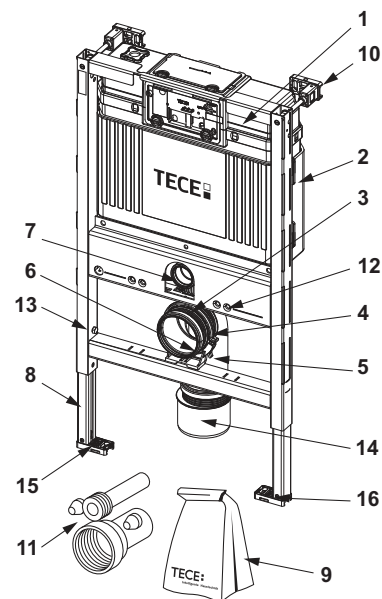
Pos.	Order No.	Designation	DU 1
1	9820101	Uni cistern 980 mm	1 pc.
2	9820040	Assembly kit for Uni cistern	1 pc.
3	9820041	Toilet drain bend holder (up to 03/2017)	1 pc.
	9820348	Toilet drain bend holder complete, underneath (from 04/2017)	1 pc.
4	9820042	Bracket for toilet drain bend holder (up to 03/2017)	1 pc.
5	9820134	Toilet drain bend DN 90 (PP)	1 pc.
6	9820139	Seal for toilet drain bend/adaptor	1 pc.
7	9820015	Flush pipe seal	1 pc.
8	9820099	Shortened flush pipe, length 185 mm	1 pc.
9	9820335	C-section for module foot	1 pc.
10	9820043	By-pack for toilet module (mounting material, etc.)	1 pc.
11	9820057	Connection set DN 90 for toilet	1 pc.
12	9820071	Clinch nut	1 pc.
13	9820447	Foot brake with steel spring	1 pc.
14	9380000	Pre-wall attachment	1 pc.
15	9820136	Adapter DN 90/DN 100 (PP)	1 pc.
16	9820332	Module foot with toggle left	1 pc.
17	9820333	Module foot with toggle right	1 pc.



# TECEprofil – Spare parts

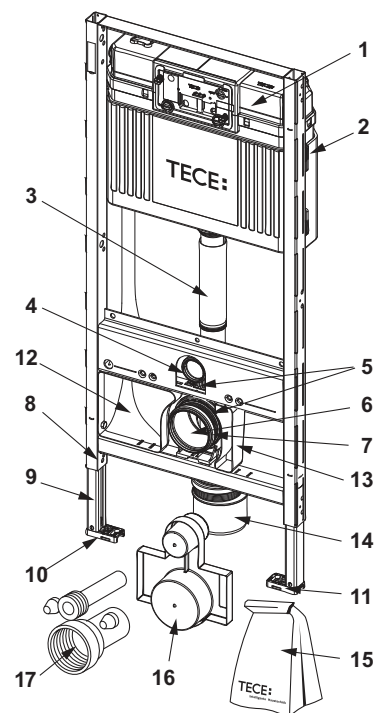
## 9300001 – TECEprofil toilet module with Uni cistern, installation height 820 mm

Pos.	Order No.	Designation	DU 1
1	9820100	Uni cistern 820 mm	1 pc.
2	9820040	Assembly kit for Uni cistern	1 pc.
3	9820041	Toilet drain bend holder (up to 03/2017)	1 pc.
	9820348	Toilet drain bend holder complete, underneath (from 04/2017)	1 pc.
4	9820042	Bracket for toilet drain bend holder (up to 03/2017)	1 pc.
5	9820134	Toilet drain bend DN 90 (PP)	1 pc.
6	9820139	Seal for toilet drain bend/adaptor	1 pc.
7	9820015	Flush pipe seal	1 pc.
8	9820335	C-section for module foot	1 pc.
9	9820043	By-pack for toilet module (mounting material, etc.)	1 pc.
10	9380000	Pre-wall attachment	1 pc.
11	9820057	Connection set DN 90 for toilet	1 pc.
12	9820071	Clinch nut	1 pc.
13	9820447	Foot brake with steel spring	1 pc.
14	9820136	Adapter DN 90/DN 100 (PP)	1 pc.
15	9820332	Module foot with toggle left	1 pc.
16	9820333	Module foot with toggle right	1 pc.



## 9300079 – TECEprofil toilet module with Uni cistern for universal connection of a shower toilet, installation height 1120 mm

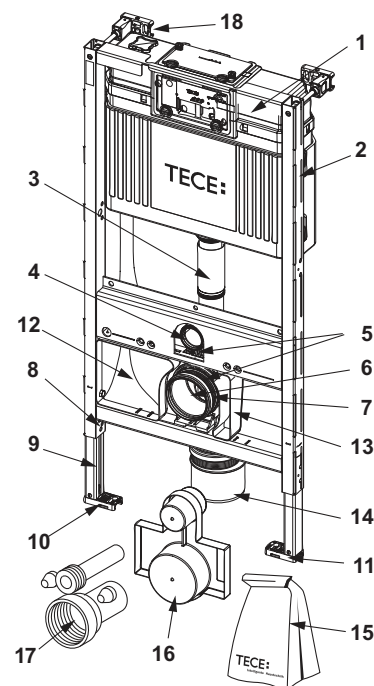
Pos.	Order No.	Designation	DU 1
1	9820103	Uni cistern 1120 mm	1 pc.
2	9820040	Assembly kit for Uni cistern	1 pc.
3	9820011	Flush pipe with O-ring, length 269 mm	1 pc.
4	9820015	Flush pipe seal	1 pc.
5	9820348	Toilet drain bend holder complete, underneath (from 04/2017)	1 pc.
6	9820134	Toilet drain bend DN 90 (PP)	1 pc.
7	9820139	Seal for toilet drain bend/adaptor	1 pc.
8	9820447	Foot brake with steel spring	1 pc.
9	9820335	C-section for module foot	1 pc.
10	9820332	Module foot with toggle left	1 pc.
11	9820333	Module foot with toggle right	1 pc.
12	9820340	Funnel for shower toilet connection and conduit	1 pc.
13	9820341	Funnel for cable connection	1 pc.
14	9820136	Adapter DN 90/DN 100 (PP)	1 pc.
15	9820043	By-pack for toilet module (mounting material, etc.)	1 pc.
16	9820342	Inspection cover for toilet module	1 pc.
17	9820057	Connection set DN 90 for toilet	1 pc.





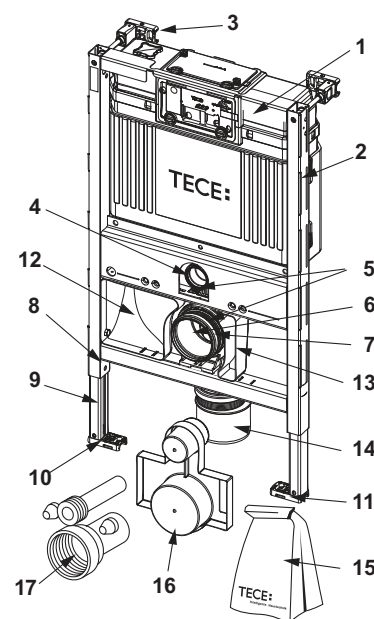
9300082 – TECEprofil toilet module with Uni cistern for universal connection of a shower toilet, installation height 980 mm

Pos.	Order No.	Designation	DU 1
1	9820101	Uni cistern 980 mm	1 pc.
2	9820040	Assembly kit for Uni cistern	1 pc.
3	9820099	Shortened flush pipe, length 185 mm	1 pc.
4	9820015	Flush pipe seal	1 pc.
5	9820348	Toilet drain bend holder complete, underneath (from 04/2017)	1 pc.
6	9820134	Toilet drain bend DN 90 (PP)	1 pc.
7	9820139	Seal for toilet drain bend/adaptor	1 pc.
8	9820447	Foot brake with steel spring	1 pc.
9	9820335	C-section for module foot	1 pc.
10	9820332	Module foot with toggle left	1 pc.
11	9820333	Module foot with toggle right	1 pc.
12	9820340	Funnel for shower toilet connection and conduit	1 pc.
13	9820341	Funnel for cable connection	1 pc.
14	9820136	Adapter DN 90/DN 100 (PP)	1 pc.
15	9820043	By-pack for toilet module (mounting material, etc.)	1 pc.
16	9820342	Inspection cover for toilet module	1 pc.
17	9820057	Connection set DN 90 for toilet	1 pc.
18	9380000	Pre-wall attachment	1 pc.



9300080 – TECEprofil toilet module with Uni cistern for universal connection of a shower toilet, installation height 820 mm

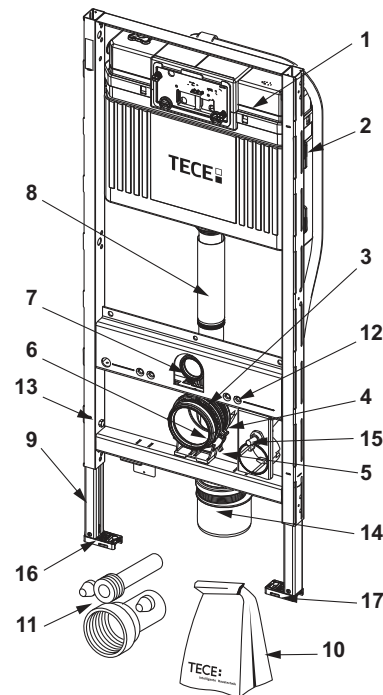
Pos.	Order No.	Designation	DU 1
1	9820100	Uni cistern 820 mm	1 pc.
2	9820040	Assembly kit for Uni cistern	1 pc.
3	9380000	Pre-wall attachment	1 pc.
4	9820015	Flush pipe seal	1 pc.
5	9820348	Toilet drain bend holder complete, underneath (from 04/2017)	1 pc.
6	9820134	Toilet drain bend DN 90 (PP)	1 pc.
7	9820139	Seal for toilet drain bend/adaptor	1 pc.
8	9820447	Foot brake with steel spring	1 pc.
9	9820335	C-section for module foot	1 pc.
10	9820332	Module foot with toggle left	1 pc.
11	9820333	Module foot with toggle right	1 pc.
12	9820340	Funnel for shower toilet connection and conduit	1 pc.
13	9820341	Funnel for cable connection	1 pc.
14	9820136	Adapter DN 90/DN 100 (PP)	1 pc.
15	9820043	By-pack for toilet module (mounting material, etc.)	1 pc.
16	9820342	Inspection cover for toilet module	1 pc.
17	9820057	Connection set DN 90 for toilet	1 pc.



# TECEprofil – Spare parts

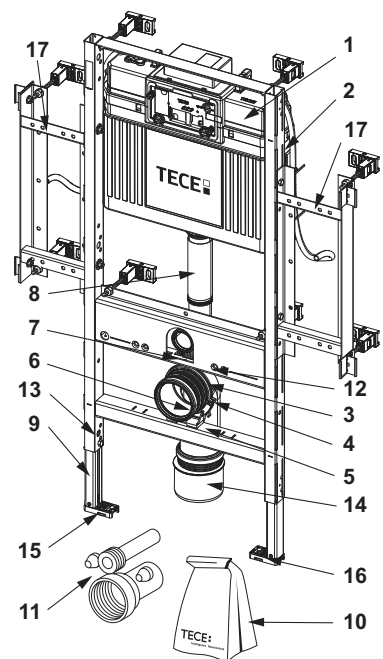
9300044 – TECEprofil toilet module TECEprofil with Uni cistern, for TOTO Neorest Washlet (WC) AC 2.0/EW 2.0, installation height 1120 mm

Pos.	Order No.	Designation	DU 1
1	9820103	Uni cistern 1120 mm	1 pc.
2	9820040	Assembly kit for Uni cistern	1 pc.
3	9820041	Toilet drain bend holder (up to 03/2017)	1 pc.
4	9820042	Bracket for toilet drain bend holder (up to 03/2017)	1 pc.
5	9820134	Toilet drain bend DN 90 (PP)	1 pc.
6	9820139	Seal for toilet drain bend/adaptor	1 pc.
7	9820015	Flush pipe seal	1 pc.
8	9820011	Flush pipe with O-ring, length 269 mm	1 pc.
9	9820335	C-section for module foot	1 pc.
10	9820043	By-pack for toilet module (mounting material, etc.)	1 pc.
11	9820057	Connection set DN 90 for toilet	1 pc.
12	9820071	Clinch nut	1 pc.
13	9820447	Foot brake with steel spring	1 pc.
14	9820136	Adapter DN 90/DN 100 (PP)	1 pc.
15	9820259	Control cable	1 pc.
16	9820332	Module foot with toggle left	1 pc.
17	9820333	Module foot with toggle right	1 pc.



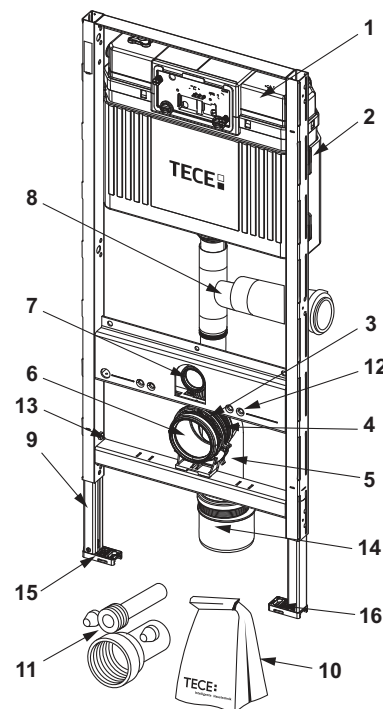
9300009 – TECEprofil toilet Geronto module, with Uni cistern, in accordance with DIN 18040-1, installation height 1120 mm

Pos.	Order No.	Designation	DU 1
1	9820103	Uni cistern 1120 mm	1 pc.
2	9820040	Assembly kit for Uni cistern	1 pc.
3	9820041	Toilet drain bend holder (up to 03/2017)	1 pc.
	9820348	Toilet drain bend holder complete, underneath (from 04/2017)	1 pc.
4	9820042	Bracket for toilet drain bend holder (up to 03/2017)	1 pc.
5	9820134	Toilet drain bend DN 90 (PP)	1 pc.
6	9820139	Seal for toilet drain bend/adaptor	1 pc.
7	9820015	Flush pipe seal	1 pc.
8	9820011	Flush pipe with O-ring, length 269 mm	1 pc.
9	9820335	C-section for module foot	1 pc.
10	9820043	By-pack for toilet module (mounting material, etc.)	1 pc.
11	9820057	Connection set DN 90 for toilet	1 pc.
12	9820071	Clinch nut	1 pc.
13	9820447	Foot brake with steel spring	1 pc.
14	9820136	Adapter DN 90/DN 100 (PP)	1 pc.
15	9820332	Module foot with toggle left	1 pc.
16	9820333	Module foot with toggle right	1 pc.
17	9820437	Support frame set	<b>NEW</b> 1 pc.



9300003 – TECEprofil toilet module with Uni cistern, with connection for odour extraction, installation height 1120 mm

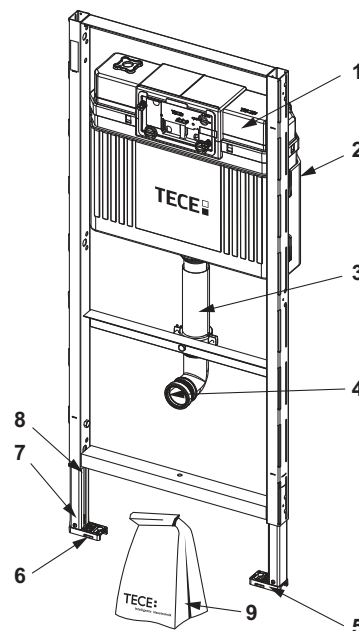
Pos.	Order No.	Designation	DU 1
1	9820103	Uni cistern 1120 mm	1 pc.
2	9820040	Assembly kit for Uni cistern	1 pc.
3	9820041	Toilet drain bend holder (up to 03/2017)	1 pc.
	9820348	Toilet drain bend holder complete, underneath (from 04/2017)	1 pc.
4	9820042	Bracket for toilet drain bend holder (up to 03/2017)	1 pc.
5	9820134	Toilet drain bend DN 90 (PP)	1 pc.
6	9820139	Seal for toilet drain bend/adaptor	1 pc.
7	9820015	Flush pipe seal	1 pc.
8	9820078	Flush pipe with odour extraction DN 70 right, 90°	1 pc.
	9820126	Flush pipe with odour extraction DN 70 left, 90°	1 pc.
	9820127	Flush pipe with odour extraction DN 50 right, 45°	1 pc.
9	9820335	C-section for module foot	1 pc.
10	9820043	By-pack for toilet module (mounting material, etc.)	1 pc.
11	9820057	Connection set DN 90 for toilet	1 pc.
12	9820071	Clinch nut	1 pc.
13	9820447	Foot brake with steel spring	1 pc.
14	9820136	Adapter DN 90/DN 100 (PP)	1 pc.
15	9820332	Module foot with toggle left	1 pc.
16	9820333	Module foot with toggle right	1 pc.



Sanitary Module

TECEprofil toilet module with Uni cistern, for children's standing toilet, installation height 1120 mm

Pos.	Order No.	Designation	DU 1
1	9820103	Uni cistern 1120 mm	1 pc.
2	9820040	Assembly kit for Uni cistern	1 pc.
3	9820011	Flush pipe with O-ring, length 269 mm	1 pc.
4	9820015	Flush pipe seal	1 pc.
5	9820333	Module foot with toggle right	1 pc.
6	9820332	Module foot with toggle left	1 pc.
7	9820335	C-section for module foot	1 pc.
8	9820447	Foot brake with steel spring	1 pc.
9	9820400	By-pack for toilet module for children's standing	1 pc.

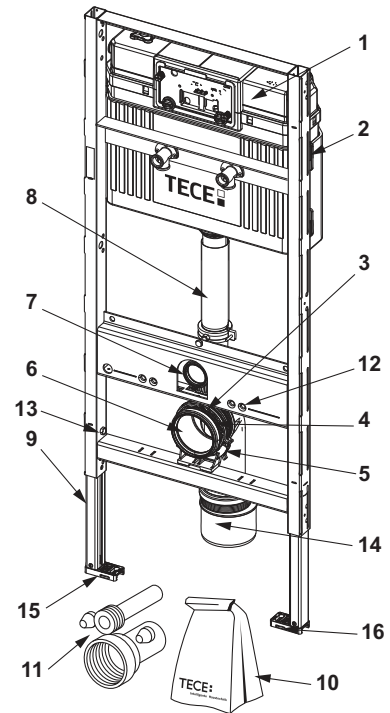


# TECEprofil – Spare parts

Sanitary Module

9300066 – TECEprofil toilet module with Uni cistern, for Keramag Espital sink, installation height 1340 mm

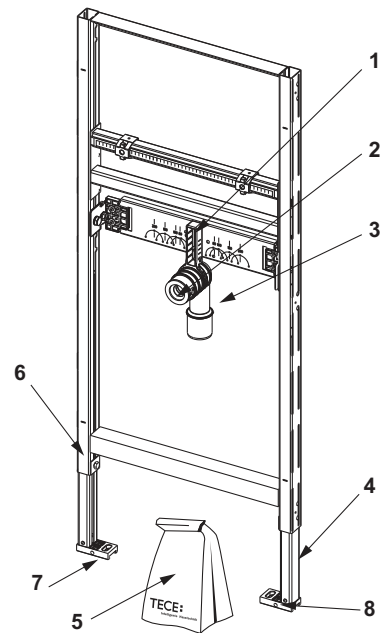
Pos.	Order No.	Designation	DU 1
1	9820103	Uni cistern 1120 mm	1 pc.
2	9820040	Assembly kit for Uni cistern	1 pc.
3	9820041	Toilet drain bend holder (up to 03/2017)	1 pc.
	9820348	Toilet drain bend holder complete, underneath (from 04/2017)	1 pc.
4	9820042	Bracket for toilet drain bend holder (up to 03/2017)	1 pc.
5	9820134	Toilet drain bend DN 90 (PP)	1 pc.
6	9820139	Seal for toilet drain bend/adaptor	1 pc.
7	9820015	Flush pipe seal	1 pc.
8	9820011	Flush pipe with O-ring, length 269 mm	1 pc.
9	9820335	C-section for module foot	1 pc.
10	9820043	By-pack for toilet module (mounting material, etc.)	1 pc.
11	9820057	Connection set DN 90 for toilet	1 pc.
12	9820071	Clinch nut	1 pc.
13	9820447	Foot brake with steel spring	1 pc.
14	9820136	Adapter DN 90/DN 100 (PP)	1 pc.
15	9820332	Module foot with toggle left	1 pc.
16	9820333	Module foot with toggle right	1 pc.



9310000 – TECEprofil washstand module, installation height 1120 mm

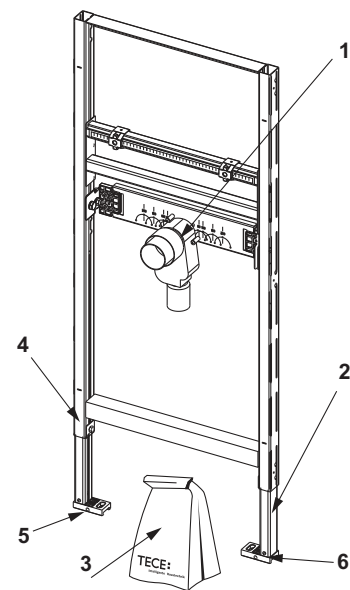
9310011 – TECEprofil washstand module, installation height 980 mm

Pos.	Order No.	Designation	DU 1
1	9820034	Drain bend holder DN 50	1 pc.
2	9820059	KA rubber collar nominal diameter 30/50	1 pc.
3	9820035	Drain bend DN 50/DN 40	1 pc.
4	9820335	C-section for module foot	1 pc.
5	9820067	By-pack for washstand module (mounting material, etc.)	1 pc.
6	9820447	Foot brake with steel spring	1 pc.
7	9820332	Module foot with toggle left	1 pc.
8	9820333	Module foot with toggle right	1 pc.



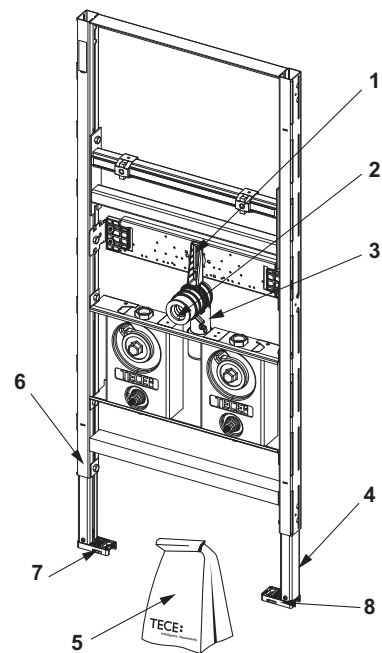
9310004 – TECEprofil washstand module with concealed odour trap, installation height 1120 mm

Pos.	Order No.	Designation	DU 1
1	9820070	UP trap (Dallmer)	1 pc.
2	9820335	C-section for module foot	1 pc.
3	9820067	By-pack for washstand module (mounting material, etc.)	1 pc.
4	9820447	Foot brake with steel spring	1 pc.
5	9820332	Module foot with toggle left	1 pc.
6	9820333	Module foot with toggle right	1 pc.



9310017 – TECEprofil washstand module including two assembly blocks for mounting water meter measuring capsules, installation height 1120 mm

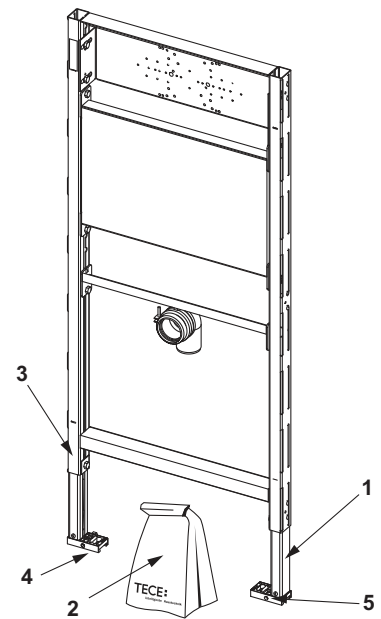
Pos.	Order No.	Designation	DU 1
1	9820034	Drain bend holder DN 50	1 pc.
2	9820059	KA rubber collar nominal diameter 30/50	1 pc.
3	9820035	Drain bend DN 50/DN 40	1 pc.
4	9820335	C-section for module foot	1 pc.
5	9820067	By-pack for washstand module (mounting material, etc.)	1 pc.
6	9820447	Foot brake with steel spring	1 pc.
7	9820332	Module foot with toggle left	1 pc.
8	9820333	Module foot with toggle right	1 pc.



# TECEprofil – Spare parts

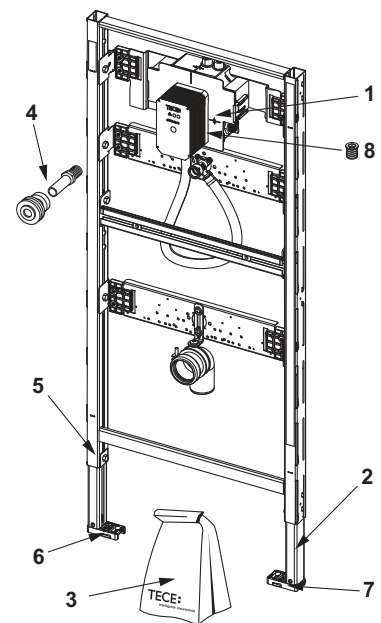
## 9310002 – TECEprofil washstand module for sink, installation height 1120 mm

Pos.	Order No.	Designation	DU 1
1	9820335	C-section for module foot	1 pc.
2	9820067	By-pack for washstand module (mounting material, etc.)	1 pc.
3	9820447	Foot brake with steel spring	1 pc.
4	9820332	Module foot with toggle left	1 pc.
5	9820333	Module foot with toggle right	1 pc.



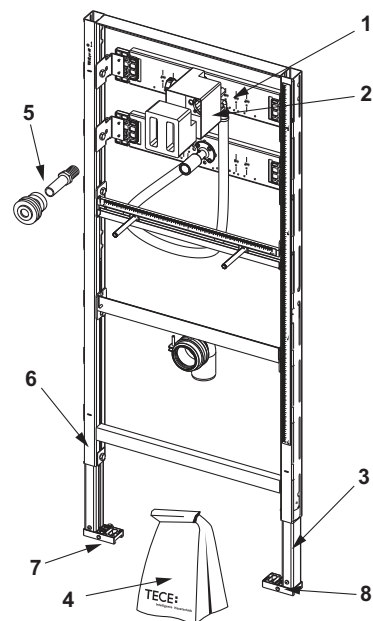
## TECEprofil urinal module with TECE flush valve housing U 2, installation height 1120 mm

Pos.	Order No.	Designation	DU 1
1	9820553	Transformer 230 V/12 V	1 pc.
2	9820335	C-section for module foot	1 pc.
3	9820076	By-pack for urinal module (mounting material, etc.)	1 pc.
4	9820055	Inlet fittings for urinal, 1/2"	1 pc.
5	9820447	Foot brake with steel spring	1 pc.
6	9820332	Module foot with toggle left	1 pc.
7	9820333	Module foot with toggle right	1 pc.
8	9820424	Seal water outlet	1 pc.



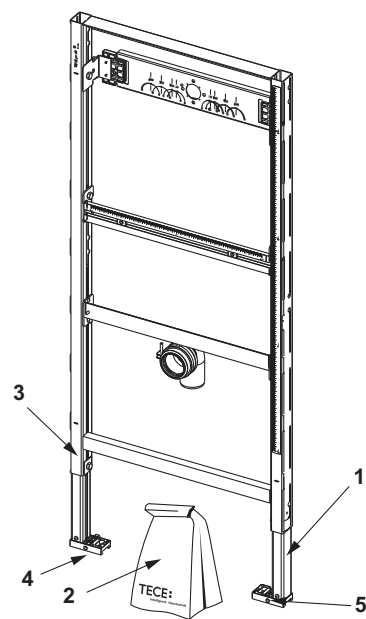
9320008 – TECEprofil urinal module with TECE flush valve housing U 1, installation height 1120 mm

Pos.	Order No.	Designation	DU 1
1	9820074	Urinal flush valve housing U 1 with plug	1 pc.
2	9820075	Bare-wall protection, supporting body, screws flush valve housing U 1	1 pc.
3	9820335	C-section for module foot	1 pc.
4	9820076	By-pack for urinal module (mounting material, etc.)	1 pc.
5	9820055	Inlet fittings for urinal, 1/2"	1 pc.
6	9820447	Foot brake with steel spring	1 pc.
7	9820332	Module foot with toggle left	1 pc.
8	9820333	Module foot with toggle right	1 pc.



9320010 – TECEprofil urinal module for external flush valve, installation height 1120 mm

Pos.	Order No.	Designation	DU 1
1	9820335	C-section for module foot	1 pc.
2	9820079	By-pack for AP urinal module (mounting material, etc.)	1 pc.
3	9820447	Foot brake with steel spring	1 pc.
4	9820332	Module foot with toggle left	1 pc.
5	9820333	Module foot with toggle right	1 pc.

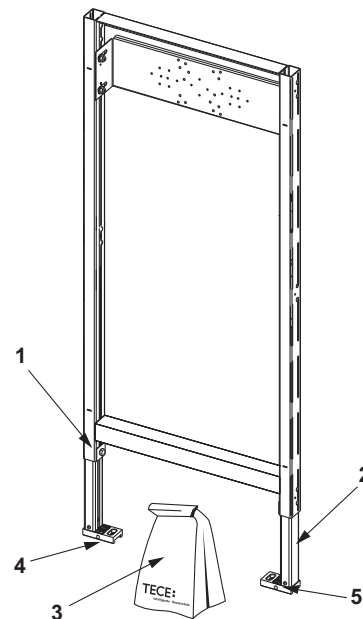


Sanitary Module

# TECEprofil – Spare parts

9340000 – TECEprofil bath/shower module for flush-mounted and external fittings, installation height 1120 mm

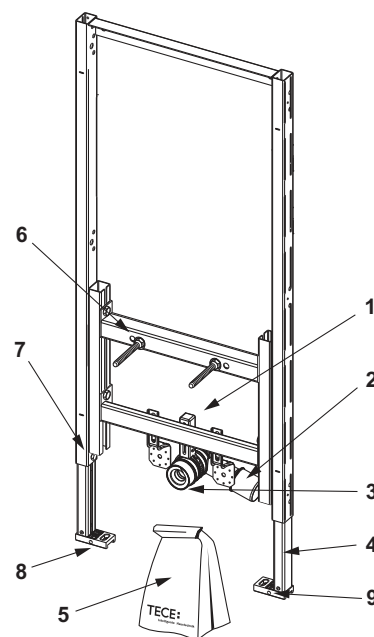
Pos.	Order No.	Designation	DU 1
1	9820335	C-section for module foot	1 pc.
2	9820447	Foot brake with steel spring	1 pc.
3	9820096	By-pack for bath/shower module (mounting material, etc.)	1 pc.
4	9820332	Module foot with toggle left	1 pc.
5	9820333	Module foot with toggle right	1 pc.



9330000 – TECEprofil bidet module for wall-mounted bidet, installation height 1120 mm

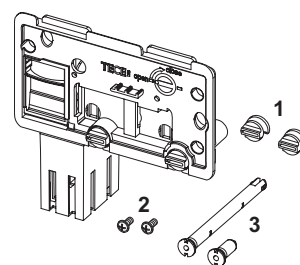
9330005 – TECEprofil bidet module for wall-mounted bidet, installation height 820 mm

Pos.	Order No.	Designation	DU 1
1	9820034	Drain bend holder DN 50	1 pc.
2	9820035	Drain bend DN 50/DN 40	1 pc.
3	9820059	KA rubber collar nominal diameter 30/50	1 pc.
4	9820335	C-section for module foot	1 pc.
5	9820047	By-pack for bidet module (mounting material, etc.)	1 pc.
6	9820071	Clinch nut	1 pc.
7	9820447	Foot brake with steel spring	1 pc.
8	9820332	Module foot with toggle left	1 pc.
9	9820333	Module foot with toggle right	1 pc.



9240950 – TECE insert chute for cleaning tablets

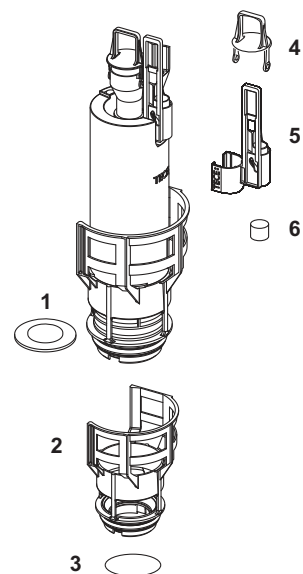
Pos.	Order No.	Designation	DU 1
1	9820191	Clamping screws set	1 pc.
2	9820263	Fastening screw	1 pc.
3	9820349	Guide rods for insert chute	1 pc.





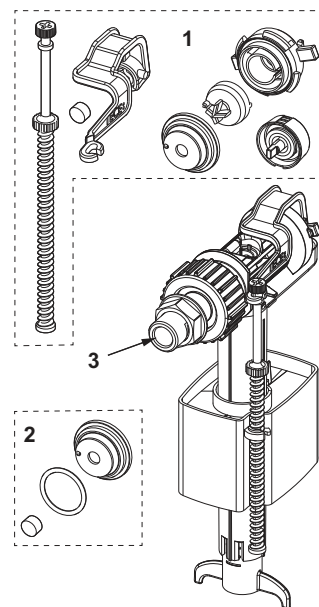
9820223 – TECE drain valve A 2

Pos.	Order No.	Designation	DU 1
1	9820233	Gasket (drain valve)	1 pc.
2	9820231	Valve seat with standard throttle (ø 42 mm)	1 pc.
3	9820005	O-ring (valve seat)	1 pc.
4	9820222	Draw eyelet	1 pc.
5	9820229	Pull rod for electrical actuation	1 pc.
6	9820420	Additional weight small pull rod	<b>NEW</b> 1 pc.



9820353 – TECE filling valve F 10 universal

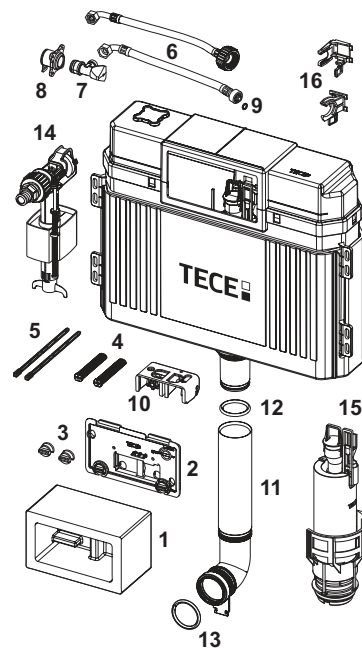
Pos.	Order No.	Designation	DU 1
1	9820382	Filling valve F 10 valve lever set	1 pc.
2	9820383	Filling valve F 10 sealing kit	1 pc.
3	9820398	Filling valve F 10 threaded connection 3/8"	1 pc.



# TECEprofil – Spare parts

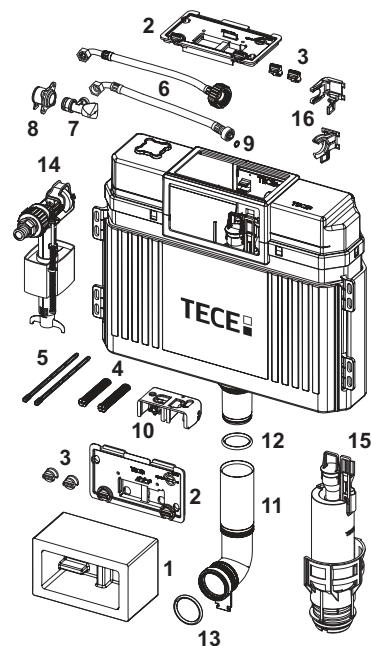
## 9820103 – TECE Uni cistern 1120 mm

Pos.	Order No.	Designation	DU 1
1	9820027	Bare-wall protection system	1 pc.
2	9820017	Splash guard, complete	1 pc.
3	9820018	Clamping screws	1 pc.
4	9820019	Attaching rods	1 pc.
5	9820022	Actuation rods	1 pc.
6	9820026	Reinforced hose	1 pc.
	9820374	Reinforced hose M 30	1 pc.
7	9820013	Corner valve	1 pc.
8	9820012	Cistern connection	1 pc.
9	9820025	O-ring	1 pc.
10	9820016	Actuation block	1 pc.
11	9820011	Flush pipe with O-ring, length 269 mm	1 pc.
	9820331	Extra long flush pipe, length 369 mm	1 pc.
12	9820014	O-ring	1 pc.
13	9820015	Flush pipe seal	1 pc.
14	9820353	Filling valve F 10 universal	1 pc.
15	9820223	Drain valve A2	1 pc.
16	9820372	Filling valve holder for Uni cistern (17 mm, 3/8")	1 pc.
	9820373	Filling valve holder for Uni cistern (27 mm, M 30)	1 pc.



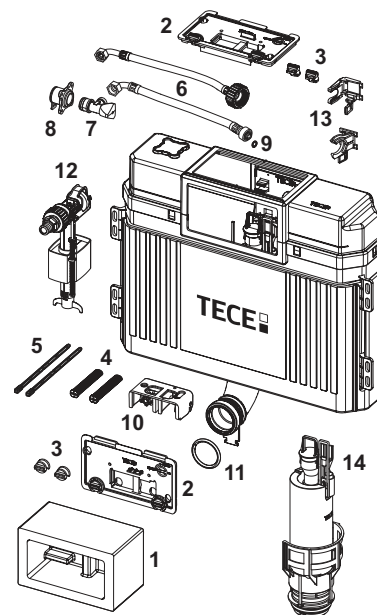
## 9820101 – TECE Uni cistern 980 mm

Pos.	Order No.	Designation	DU 1
1	9820027	Bare-wall protection system	1 pc.
2	9820017	Splash guard, complete	1 pc.
3	9820018	Clamping screws	1 pc.
4	9820019	Attaching rods	1 pc.
5	9820022	Actuation rods	1 pc.
6	9820026	Reinforced hose	1 pc.
	9820374	Reinforced hose M 30	1 pc.
7	9820013	Corner valve	1 pc.
8	9820012	Cistern connection	1 pc.
9	9820025	O-ring	1 pc.
10	9820016	Actuation block	1 pc.
11	9820099	Shortened flush pipe, length 185 mm	1 pc.
12	9820014	O-ring	1 pc.
13	9820015	Flush pipe seal	1 pc.
14	9820353	Filling valve F 10 universal	1 pc.
15	9820223	Drain valve A2	1 pc.
16	9820372	Filling valve holder for Uni cistern (17 mm, 3/8")	1 pc.
	9820373	Filling valve holder for Uni cistern (27 mm, M 30)	1 pc.



9820100 – TECE Uni cistern 820 mm

Pos.	Order No.	Designation	DU 1
1	9820027	Bare-wall protection system	1 pc.
2	9820017	Splash guard, complete	1 pc.
3	9820018	Clamping screws	1 pc.
4	9820019	Attaching rods	1 pc.
5	9820022	Actuation rods	1 pc.
6	9820026	Reinforced hose	1 pc.
	9820374	Reinforced hose M 30	1 pc.
7	9820013	Corner valve	1 pc.
8	9820012	Cistern connection	1 pc.
9	9820025	O-ring	1 pc.
10	9820016	Actuation block	1 pc.
11	9820015	Flush pipe seal	1 pc.
12	9820353	Filling valve F 10 universal	1 pc.
13	9820372	Filling valve holder for Uni cistern (17 mm, 3/8")	1 pc.
	9820373	Filling valve holder for Uni cistern (27 mm, M 30)	1 pc.
14	9820223	Drain valve A2	1 pc.



TECEprofil flush valve cartridge U 1

Flush valve cartridge for flush valve housing U 1, with automatic jet cleaning needle.

Order No.	DU 1
9820031	1 pc.



TECEprofil seal for flush pipe connection

Order No.	DU 1
9820213	1 pc.



TECEprofil flush pipe connection 20 cm

PP flush pipe connection for wall-mounted toilets.

Order No.	DU 1
9820246	1 pc.







Sanitary Systems

# TECEconstruct SANITARY MODULES

ASSORTMENT LIST 2019



	Page
Toilet modules with Octa cistern	136
Accessories	137
Spare parts	140

# TECEconstruct – Toilet modules with Octa cistern

## TECEconstruct toilet module with Octa cistern, 8 cm, installation height 1200 mm

Toilet module to install in metal or wooden post-and-beam walls and as pre-wall or corner module; also suitable for single block assembly.

Completely pre-assembled unit, consisting of:

Octa cistern, 8 cm, for front actuation:

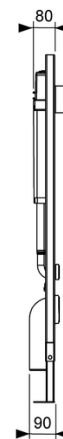
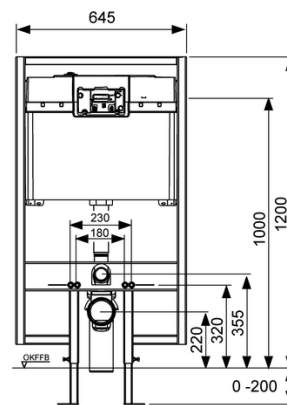
- Safety tank made of impact-resistant plastic
- Cistern completely pre-assembled and sealed
- Pre-assembled corner valve and cistern connection, cistern connection with 1/2" inner thread
- 9.5-litre tank volume; 6-litre pre-set standard flush volume; 4.5/6/9-litre flush volume setting option at any time; 3-litre partial flush volume with dual-flush system. Remaining volume can be used for immediate cleaning flush
- Certified in accordance with DIN EN 14055
- Insulated against condensation water
- For TECE flush plates and toilet flush handle
- Can be set as a single or dual-flush cistern depending on the flush plate used
- Low-noise hydraulic filling valve

Module consisting of:

- Self-supporting installation frame, powder-coated
- 180 or 230 mm ceramic mounting distance
- Drain bend DN 90/90
- Toilet connection set DN 90
- Attachment for pre-wall assembly (see 9380007)

Please order separately:

- Manual toilet flush plate (see actuations)
- TECEone dry-wall upgrade set 8 cm

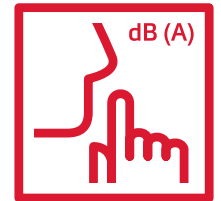
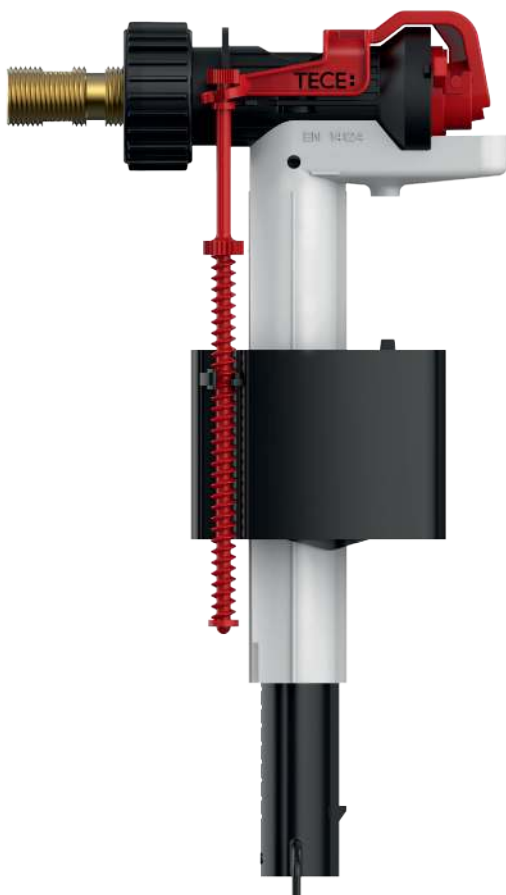


Order No.	DU 1	DU 2
9300040	1 pc.	14 pc.



# The F 10 filling valve – for all conventional concealed and wall-mounted cisterns

The filling valve F 10 fits almost all standard concealed and wall-mounted cisterns with 3/8" thread. The filling valve fulfils the requirements of acoustic group 1 and is particularly quiet.



Compatible with manufacturer	Concealed cisterns
------------------------------	--------------------

<b>TECE</b>	All TECE cisterns
<b>Geberit</b>	UP320 / UP300 / Sigma 12 cm
	UP200 / Kappa 15 cm
	UP100 / Delta 12 cm
	UP120 (Artline) / Kappa 15 cm
	UP130 / 110.800 / Twinline 12 cm
	UP170 / 110.700 / Twinline 8 cm
	UP700 / Unica
	Omega 12 cm
	NUVO / 110.620
	Monolith
<b>Grohe / DAL</b>	Grohe DAL 320, Grohe DAL 330
	Grohe DAL 336
	Grohe DAL 337, 6 I, 6-9 I, AV 1, GD 2
<b>Sanit</b>	Ineo Plus, Ineo Solo
	Ineo 80, Ineo, Ineo In
	CC-120-L-FO-2V-L
	982N, 983N, 988C
	980N, 995N
<b>Viega</b>	1H, 1L, 1S
	2H, 2L, 2S
	1C, 2C
<b>Friatec</b>	302003 (Friabloc, Friaset, Wimo)
	302006 (Friafix, Friaset, Wimo, Friaplan)
	302010 (Friabloc, Friaset, Wimo, Friaplan)
	352005 (Friabloc, Wimo, Friaplan)
<b>Wall-mounted cisterns</b>	with 3/8" threaded connector

## Product Highlights

- Suitable for all conventional Geberit, Grohe / DAL, Sanit, Viega, Friatec and other cisterns
- For concealed and wall-mounted cisterns
- Extremely quiet: Acoustic group I (DIN 4109)
- Approved in accordance with DIN EN 14124, WRAS / KIWA

# TECEconstruct – Accessories

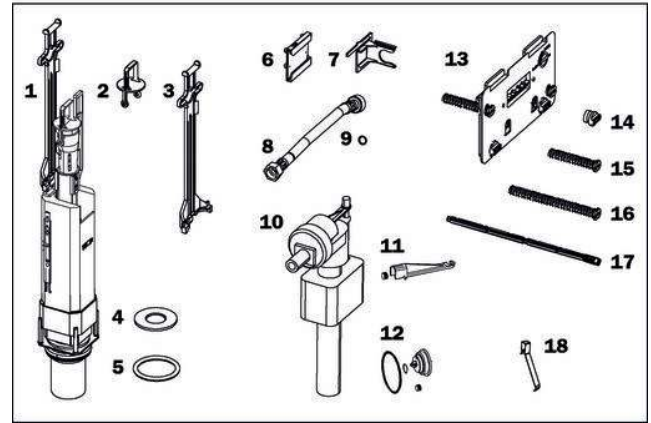
Sanitary Module

## TECE spare parts case for Octa cistern, 8 cm

Plastic assortment case with spare parts for the Octa cistern, 8 cm.



Pos.	Order No.	Designation	Quantity
1	9820224	Drain valve A3 for Octa cistern, 8 cm	2
2	9820222	Draw eyelet	2
3	9820163	Hold-down device (narrow drain valve)	5
4	9820161	Gasket (narrow drain valve)	2
5	9820220	O-ring on valve seat	2
6	9820216	Retainer for filling valve holder	5
7	9820215	Filling valve holder for Octa cistern (17 mm, 3/8")	5
8	9820217	Reinforced hose complete for Octa cistern, 8 cm	1
9	9820221	Reinforced hose O-ring	4
10	9820006	Filling valve F 1	1
11	9820010	Lever	3
12	9820009	Sealing set	5
13	9820194	Splash guard, complete	2
14	9820191	Clamping screws set	1
15	9820189	Attaching rod set, short	1
16	9820219	Attaching rod without screws	1
17	9820193	Actuation rods, blue and red	2
18	9820020	Push-button springs, set of two	5



Order No.	DU 1
9820228	1 pc.

## TECEprofil extended toilet connection set 30 cm, DN 90

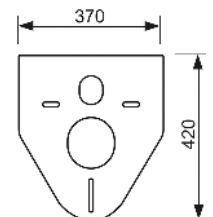
PE connection set for wall-mounted toilets.



Order No.	DU 1
9820214	1 pc.

## TECEprofil sound-insulation kit for toilet and bidet

For sound insulation between the toilet or bidet ceramics and tile layer.



Order No.	DU 1	DU 2	DU 3
9200010	1 pc.	10 pc.	60 pc.

**TECE filling valve F 10 universal**

Universal filling valve for installation in all TECE cisterns as well as almost all standard concealed and wall-mounted cisterns from other manufacturers.

Product details:

- 3/8" metal connection thread
- Flow pressure 0.1-10 bar
- Minimum flow pressure 0.5 bar
- Adjustable fill height
- Adjustable outflow pipe
- Low-noise in accordance with acoustic group I (DIN 4109)
- Compact design
- Incl. adapter and attachment nut



Order No.	DU 1	DU 2	DU 3
9820353	1 pc.	10 pc.	240 pc.

**TECE throttle set for flushing cisterns with an installation depth of 13 cm**

To adapt the flushing pressure of the standard cisterns (installation depth 13 cm). Installation in valve seat of drain valve, diameter 46-28 mm.

Order No.	DU 1
9820337*	1 pc.



**TECEone upgrade set for TECEconstruct toilet module with Octa cistern, 8 cm**

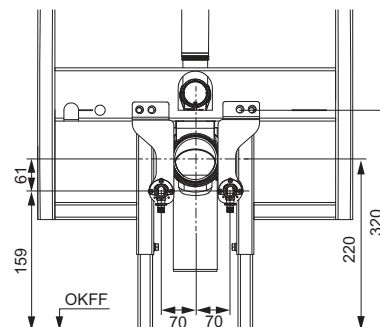
Sound-insulated shell set for pre-mounting the TECEconstruct toilet module with Octa cistern, 8 cm, for the TECEone water connection.

Shell set consisting of:

- Holding plates for hot and cold water connection
- Sound protection elements for wall disks
- Attachment screws for wall disks
- Two M 12 x 20 screws incl. spacer sleeves



Order No.	DU 1	DU 2	DU 3
9880056	1 pc.	10 pc.	60 pc.



**TECE throttle set for flushing cistern with an installation depth to 8.5 cm**

Throttle set to adjust the flushing pressure of the TECE standard cisterns with low installation depth (up to 8.5 cm). Installs in valve seat of drain valve, diameter 32-28 mm.

Order No.	DU 1
9820394	1 pc.

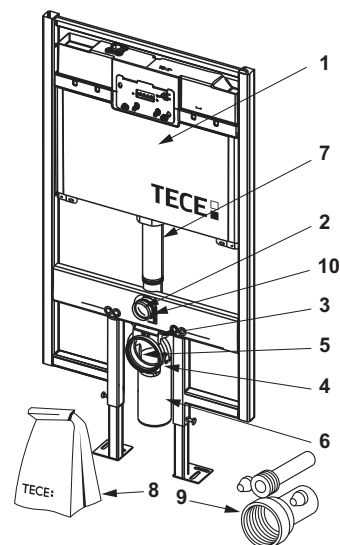


\* Not in combination with Octa cistern, 8 cm

# TECEconstruct – Spare parts

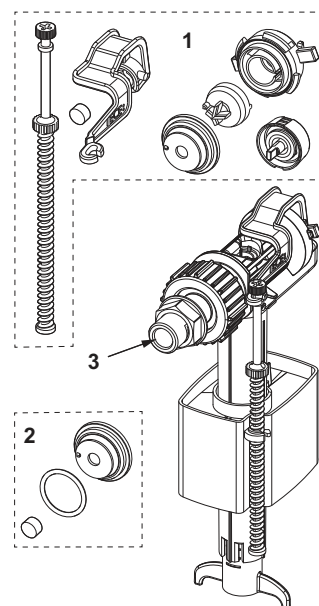
9300040 – TECEconstruct toilet module with Octa cistern, 8 cm, installation height 1200 mm

Pos.	Order No.	Designation	DU 1
1	9820250	Octa cistern, 8 cm	1 pc.
2	9820015	Flush pipe seal	1 pc.
3	9820145	Toilet drain bend holder for dry-wall modules, clip-bar	1 pc.
4	9820042	Bracket for toilet drain bend holder (up to 03/2017)	1 pc.
5	9820139	Seal for toilet drain bend/adaptor	1 pc.
6	9820150	Toilet drain bend DN 90/90 PE-HD, for cisterns 8 cm	1 pc.
7	9820192	Flush pipe with O-ring	1 pc.
8	9820147	By-pack for toilet module with Octa cistern, 8 cm (mounting material, etc.)	1 pc.
9	9820057	Connection set DN 90 for toilet	1 pc.
10	9820254	Flush pipe holder for toilet	1 pc.



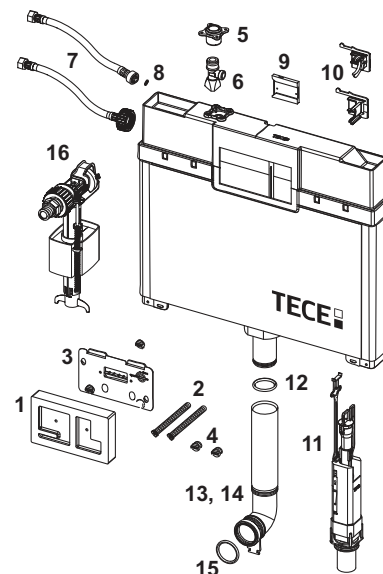
9820353 – TECE filling valve F 10 universal

Pos.	Order No.	Designation	DU 1
1	9820382	Filling valve F 10 valve lever set	1 pc.
2	9820383	Filling valve F 10 sealing kit	1 pc.
3	9820398	Filling valve F 10 threaded connection 3/8"	1 pc.



9820250 – TECE Octa cistern, 8 cm

Pos.	Order No.	Designation	DU 1
1	9820188	Bare-wall protection system, short	1 pc.
2	9820189	Attaching rod set, short	1 pc.
3	9820194	Splash guard, complete	1 pc.
4	9820191	Clamping screws set	1 pc.
5	9820012	Cistern connection	1 pc.
6	9820013	Corner valve	1 pc.
7	9820217	Reinforced hose complete for Octa cistern, 8 cm	1 pc.
	9820376	Reinforced hose M 30	1 pc.
8	9820221	Reinforced hose O-ring	1 pc.
9	9820216	Retainer for filling valve holder	1 pc.
10	9820375	Filling valve holder for Octa cistern (27 mm, M 30)	1 pc.
	9820215	Filling valve holder for Octa cistern (17 mm, 3/8")	1 pc.
11	9820224	Drain valve A3 for Octa cistern, 8 cm	1 pc.
12	9820014	O-ring	1 pc.
13	9820192	Flush pipe with O-ring	1 pc.
14	9820011	Flush pipe with O-ring, length 269 mm	1 pc.
15	9820015	Flush pipe seal	1 pc.
16	9820353	Filling valve F 10 universal	1 pc.



Sanitary Module

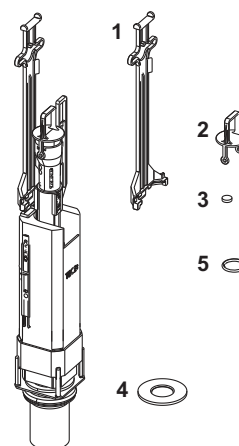
TECE drain valve A3 for Octa cistern, 8 cm

Order No.	DU 1
9820224	1 pc.



9820224 – TECE drain valve A3 for Octa cistern, 8 cm

Pos.	Order No.	Designation	DU 1
1	9820163	Hold-down device (narrow drain valve)	1 pc.
2	9820222	Draw eyelet	1 pc.
3	9820275	Additional weight	1 pc.
4	9820161	Gasket (narrow drain valve)	1 pc.
5	9820446	O-ring joint drain valve A 3	<b>NEW</b> 10 pc.







Sanitary Systems

# TECEbox BRICK-WALL MODULES

ASSORTMENT LIST 2019





	Page
Toilet modules with Uni cistern	146
Toilet modules with Octa cistern	152
Washstand, urinal	155
Accessories	157
Spare parts box	162
Spare parts	164

An overview of valid Declarations of Performances (DOP) is available at [www.tece.com](http://www.tece.com).

**Note:**

DU 1 = minimum order quantity per item; sometimes it is not possible to order smaller quantities for technical reasons  
 DU 2 = Euro palette for modules

References to standards and installation recommendations are based on standards and building regulations currently applicable in Germany. Different or supplementary regulations may apply in other countries. Observe all local regulations.

# TECEbox – Toilet modules with Uni cistern

## TECEbox toilet module with Uni cistern, installation height 1060 mm

For installation in a bricked-in pre-wall in front of a solid wall.

Consisting of:

Uni cistern for front actuation:

- Safety tank made of impact-resistant plastic
- Cistern completely pre-assembled and sealed
- Cistern connection with 1/2" inner thread
- 10-litre tank volume; 6-litre preset standard flush volume; 4.5/7.5/9-litre flush volume can be set at any time; 3-litre partial flush volume with dual-flush system. Residual volume usable for immediate flush cleaning.
- Insulated against condensation water
- For TECE flush plates and toilet flush handle
- Can be set as a single or dual-flush cistern depending on the flush plate used
- Tested to DIN EN 14055
- Acoustic group 1 in accordance with DIN 4109
- Low-noise hydraulic filling valve

Module consisting of:

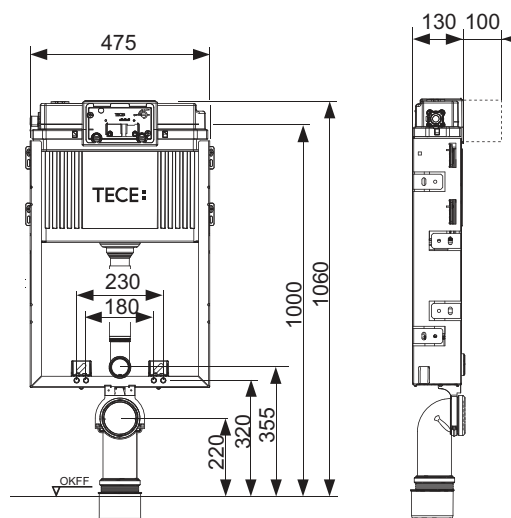
- Galvanised steel frame
- Two M 12 retaining bolts and nuts, installation spacing 180 or 230 mm
- Toilet drain bend DN 90 incl. joint adapter DN 90/100 made of PP
- Joint adapter also suitable for horizontal installation
- Toilet connection set DN 90, including protective plugs

Please order separately:

- Toilet flush plate (see flush plates)
- Insert chute for cleaning tablets
- Assembly feet 9030024
- TECEone upgrade set for brick-wall

Note:

Ideal for assembly in rows by fixing directly with corner joints and TECEprofil tube as an aid to alignment.



Order No.	DU 1	DU 2	DU 3
9370000	1 pc.	10 pc.	60 pc.

**TECEbox toilet module with Uni cistern, including assembly feet and toilet sound insulation set, installation height 1060 mm** NEW

Toilet module for installation in a bricked-in pre-wall in front of a solid wall.

Consisting of:

Uni cistern for front actuation:

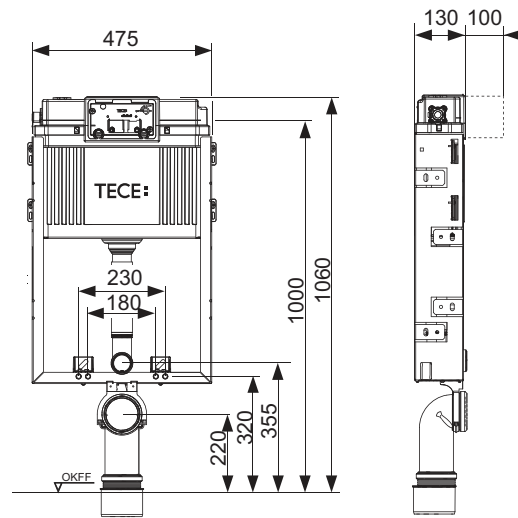
- Safety tank made of impact-resistant plastic cistern
- Cistern fully pre-assembled and sealed
- Cistern connection with 1/2" inner thread
- 10-litre tank volume; 6-litre preset standard flush volume; 4.5/7.5/9-litre flush volume can be optionally set at any time; 3-litre partial flush volume for dual-flush system. Remaining volume can be used for immediate cleaning flush.
- Insulated against condensation water
- For TECE flush plates and toilet flush handle
- Can be set as a single or dual-flush cistern depending on the flush plate used.
- Tested to DIN EN 14055
- Acoustic group 1 in accordance with DIN 4109
- Low-noise hydraulic filling valve

Module consisting of:

- Galvanised steel frame
- Two M 12 retaining bolts and nuts, installation spacing 180 or 230 mm
- Toilet drain bend DN 90 incl. joint adapter DN 90/100 made of PP
- Joint adapter also suitable for horizontal installation
- Toilet connection set DN 90, including protective plugs
- Assembly feet made of steel
- Toilet sound insulation set

Please order separately:

- toilet flush plate (see flush plates)
- Insert chute for cleaning tablets
- TECEone brick-wall upgrade set



Order No.		DU 1
9370044	NEW	1 pc.

# TECEbox – Toilet modules with Uni cistern

## TECEbox toilet module with Uni cistern and tile base front, installation height 820 mm

Toilet module for installation in a bricked-in pre-wall in front of a solid wall, depth-adjustable.

Consisting of:

Uni cistern for front actuation:

- Safety tank made of impact-resistant plastic cistern
- Cistern fully pre-assembled and sealed
- Cistern connection with 1/2" inner thread
- 10-litre tank volume; 6-litre preset standard flush volume; 4.5/7.5/9-litre flush volume can be optimally set at any time; 3-litre partial flush volume for dual-flush system. Residual volume usable for immediate flush cleaning.
- Insulated against condensation water
- For TECE flush plates and toilet flush handle
- Can be set as a single or dual-flush cistern depending on the flush plate used.
- Tested to DIN EN 14055
- Acoustic group 1 in accordance with DIN 4109
- Low-noise hydraulic filling valve

Module consisting of:

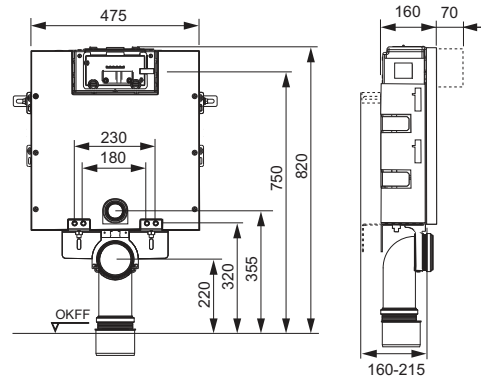
- Front tile base made of 30 mm structural board
- Toilet drain bend DN 90 incl. joint adapter DN 90/100 made of PP
- Joint adapter also suitable for horizontal installation
- Toilet connection set DN 90, including protective plugs

Please order separately:

- Toilet flush plate (see flush plates)
- Insert chute for cleaning tablets (only for front actuation)
- TECEone upgrade set for brick-wall

Caution:

If the flush plate is fitted in front and a compact ceramic system is used in the case of cisterns with a low installation height, the toilet lid may occasionally drop down unintentionally. When using compact ceramic systems (e.g.: Ideal-Standard: SAN REMO slimline R 3493; V & B: Viala 7653 10, Viala 7652 10; Keramag: Renova-Comprimo 204550; Joly 203060) fit flush plate with top actuation only.



Order No.	DU 1	DU 2	DU 3
9375000	1 pc.	10 pc.	60 pc.

## TECEbox toilet module with Uni cistern, installation height 820 mm

Toilet module for installation in a bricked-in pre-wall in front of a solid wall, depth-adjustable.

Consisting of:

Uni cistern for front actuation:

- Safety tank made of impact-resistant plastic cistern
- Cistern fully pre-assembled and sealed
- Cistern connection with 1/2" inner thread
- 10-litre tank volume; 6-litre preset standard flush volume; 4.5/7.5/9-litre flush volume can be optimally set at any time; 3-litre partial flush volume for dual-flush system. Residual volume usable for immediate flush cleaning.
- Insulated against condensation water
- For TECE flush plates and toilet flush handle
- Can be set as a single or dual-flush cistern depending on the flush plate used
- Tested to DIN EN 14055
- Acoustic group 1 in accordance with DIN 4109
- Low-noise hydraulic filling valve

Module consisting of:

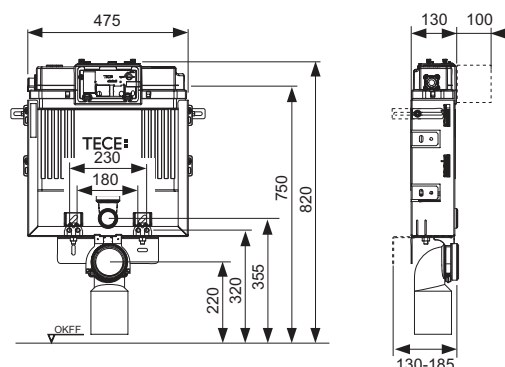
- Toilet drain bend DN 90 incl. joint adapter DN 90/100 made of PP
- Joint adapter also suitable for horizontal installation
- Toilet connection set DN 90, including protective plugs

Please order separately:

- Toilet flush plate (see flush plates)
- Insert chute for cleaning tablets (front actuation only)

### Caution:

If the flush plate is fitted in front and a compact ceramic system is used in the case of cisterns with a low installation height, the toilet lid may occasionally drop down unintentionally. When using compact ceramic systems (e.g.: Ideal Standard: SAN REMO slimline R 3493; V & B: Viala 7653 10, Viala 7652 10; Keramag: Renova-Comprimo 204550; Joly 203060) fit flush plate with top actuation only.



Order No.

9375004

DU 1

1 pc.

# TECEbox – Toilet modules with Uni cistern

## TECEbox toilet module with Uni cistern, with tileable front facing, installation height 1110 mm

Toilet module for installation in a bricked-in pre-wall. Closed surface suitable for tiling made of glass fibre lightweight concrete board.

Consisting of:

Uni cistern for front actuation:

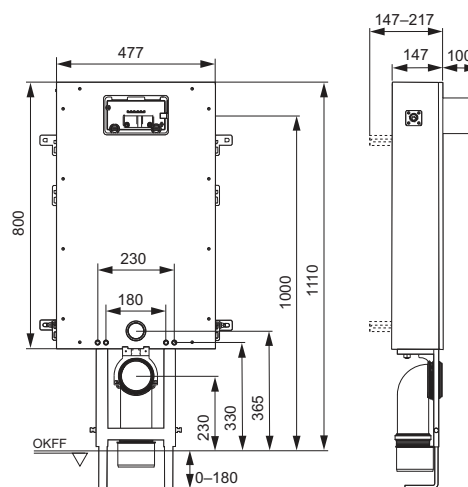
- Safety tank made of impact-resistant plastic cistern
- Cistern fully pre-assembled and sealed
- Cistern connection with 1/2" inner thread
- 10-litre tank volume; 6-litre preset standard flush volume; 4.5/7.5/9-litre flush volume can be optimally set at any time; 3-litre partial flush volume for dual-flush system. Residual volume usable for immediate flush cleaning.
- Insulated against condensation water
- For TECE flush plates and toilet flush handle
- Can be set as a single or dual-flush cistern depending on the flush plate used.
- Tested to DIN EN 14055
- Acoustic group 1 in accordance with DIN 4109
- Low-noise hydraulic filling valve

Module consisting of:

- Galvanised steel frame
- Two M 12 retaining bolts and nuts, installation spacing 180 or 230 mm
- Toilet drain bend DN 90 incl. joint adapter DN 90/100 made of PP
- Joint adapter also suitable for horizontal installation
- Toilet connection set DN 90, including protective plugs
- Including pre-assembled height-adjustable supporting feet

Please order separately:

- TECEbox plus build space cover, Order No. 9200012
- Toilet flush plate (see flush plates)
- Insert chute for cleaning tablets
- TECEone upgrade set for brick-wall



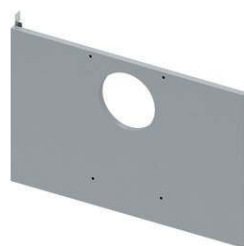
Order No.	DU 1	DU 2	DU 3
9371000	1 pc.	10 pc.	60 pc.

## TECEbox assembly area cover

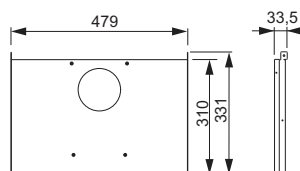
Steel sheet with screw-on glass fibre lightweight concrete plate. To face the entire surface of the lower build space of the TECEbox with tileable surface.

Consisting of:

- Steel sheet with screw-on glass fibre light concrete plate
- Mounting materials



Order No.	DU 1	DU 2	DU 3
9200012	1 pc.	10 pc.	60 pc.

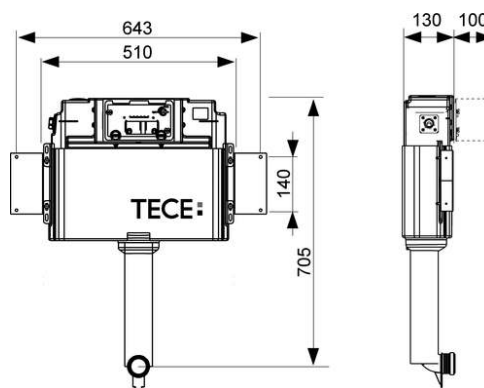


## TECEbox Uni cistern including mounting plate, installation height 1060 mm

Uni cistern for shell installation.

Consisting of:

- Safety tank made of impact-resistant plastic
- Cistern fully pre-assembled and sealed
- Corner valve and cistern connection pre-assembled, cistern connection with 1/2" inner thread
- 10 litre tank volume; 6 litre preset standard flush volume; 4.5/7.5/9 litre flush volume can be set at any time; 3 litre partial flush volume with dual-flush system. Residual volume usable for immediate flush cleaning
- Insulated against condensation water
- For TECE flush plates and toilet flush handle
- Can be set as a single or dual-flush cistern depending on the flush plate used
- Tested to DIN EN 14055
- Acoustic group 1 in accordance with DIN 4109 - test certificate P-IX3837/I
- Low-noise hydraulic filling valve
- Includes mounting plate and mounting materials
- Flush pipe elbow



Order No.	DU 1	DU 2	DU 3
9041008	1 pc.	10 pc.	60 pc.

# TECEbox – Toilet modules with Octa cistern

## TECEbox Octa cistern, 8 cm, for standing toilet, with reinforcement fabric, installation height 1110 mm

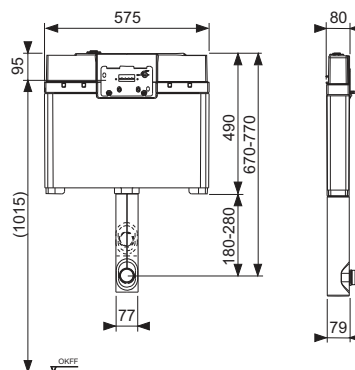
Octa cistern for standing toilet, depth 8 cm, for installation in a wall or in front of a solid wall.

Consisting of:

- Safety tank made of impact-resistant plastic
- Cistern fully pre-assembled and sealed
- Cistern connection with 1/2" inner thread
- 9.5 litre tank volume; 6 litre preset standard flush volume; 4.5/6/9 litre flush volume can be set as an option at any time; 3 litre partial flush volume with dual-flush system. Residual volume usable for immediate flush cleaning.
- Insulated against condensation water
- For TECE flush plates and toilet flush handle
- Can be set as a single or dual-flush cistern depending on the flush plate used
- Tested to DIN EN 14055
- Low-noise hydraulic filling valve
- Reinforcement fabrics for mounting

Please order separately:

- Manual toilet flush plate (see flush plates)
- TECEbox flush pipe connector



Order No.	DU 1	DU 2
9370007	1 pc.	25 pc.

## TECEbox toilet module with Octa cistern, 8 cm, for wall toilet, installation height 1110 mm

Toilet module for wall toilet, depth 8 cm, for installation in a bricked-in wall or in front of a solid wall construction.

Consisting of:

Octa cistern, 8 cm, for front actuation:

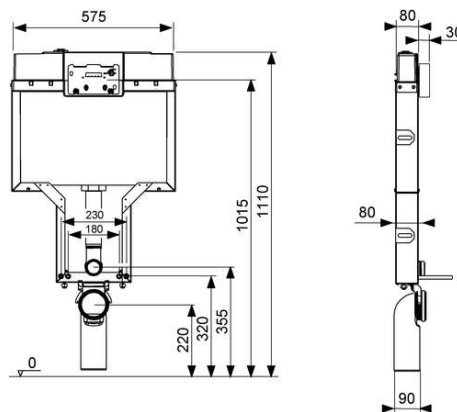
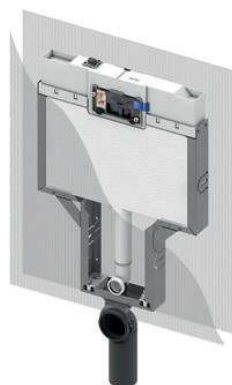
- Safety tank made of impact-resistant plastic
- Cistern completely pre-assembled and sealed
- Cistern connection with 1/2" inner thread
- 9.5-litre tank volume; 6-litre preset standard flush volume; 4.5/6/9-litre flush volume can be set at any time; 3-litre partial flush volume with dual-flush system. Residual volume usable for immediate flush cleaning.
- Insulated against condensation water
- For TECE flush plates and toilet flush handle
- Can be set as a single or dual-flush cistern depending on the flush plate used
- Tested to DIN EN 14055
- Low-noise hydraulic filling valve
- Reinforcement fabrics for mounting

Module consisting of:

- Drain bend DN 90/90
- Toilet connection set DN 90 including protection plugs
- 180 or 230 mm ceramic mounting distance

Please order separately:

- Manual toilet flush plate (see flush plates)
- TECEbox module feet
- TECEprofil sound insulation kit
- TECEone upgrade set for brick-wall, for cisterns with installation depth up to 8.5 cm



Order No.	DU 1	DU 2
9370008	1 pc.	18 pc.



## TECEbox toilet module with Octa cistern, 8 cm, with connection for odour extraction, installation height 1110 mm

Toilet module for wall toilet, depth 8 cm, for installation in a bricked-in wall or in front of a solid wall construction.

Consisting of:

Octa cistern, 8 cm, for front actuation:

- Safety tank made of impact-resistant plastic
- Cistern completely pre-assembled and sealed
- Cistern connection with 1/2" inner thread
- 9.5-litre tank volume; 6-litre preset standard flush volume; 4.5/6/9-litre flush volume can be set at any time; 3-litre partial flush volume with dual-flush system. Residual volume usable for immediate flush cleaning.
- Insulated against condensation water
- For TECE flush plates and toilet flush handle
- Can be set as a single or dual-flush cistern depending on the flush plate used.
- Tested to DIN EN 14055
- Low-noise hydraulic filling valve
- Reinforcement fabrics for mounting

Module consisting of:

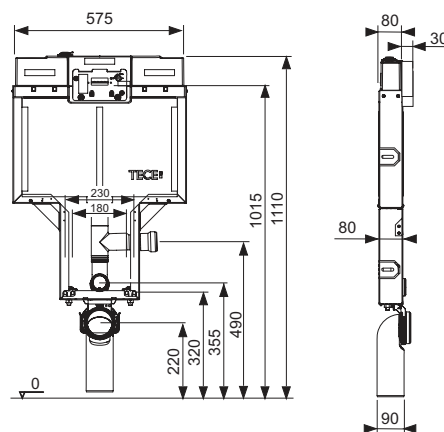
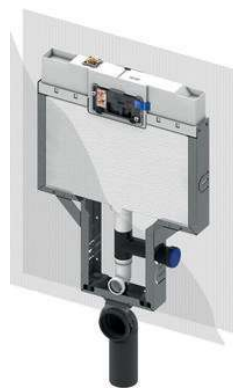
- Drain bend DN 90/90
- Toilet connection set DN 90 including protection plugs
- Connection DN 50 for odour extraction
- 180 or 230 mm ceramic mounting distance

Please order separately:

- Manual toilet flush plate (see flush plates)
- Insert chute for cleaning tablets
- TECEone upgrade set for brick-wall, for cisterns with installation depth up to 8.5 cm

**Note:**

Odour extraction is possible for all conventional toilet ceramics. However, the flushing water remains standing in the flush pipe of some ceramics with a higher sitting position or higher flushing rim, resulting in the bowl becoming partially or completely full. The current "Technical Information" offers an overview of the affected ceramics in which it is not possible to fit the odour extraction option.



Order No.	DU 1	DU 2
9370041	1 pc.	18 pc.

# TECEbox – Toilet modules with Octa cistern

## TECEbox toilet module with Octa cistern, 8 cm, for wall toilet, sound-insulated, installation height 1120 mm

Toilet module for wall toilet, depth 8 cm, for installation in a bricked-in wall or in front of a solid wall construction.

Consisting of:

Octa cistern, 8 cm, for front actuation:

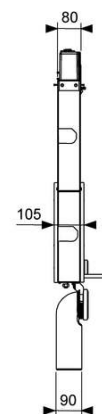
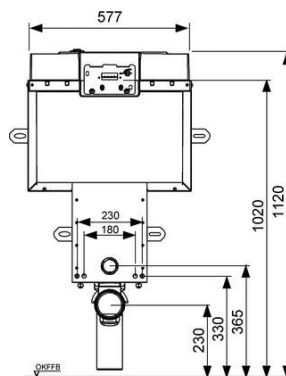
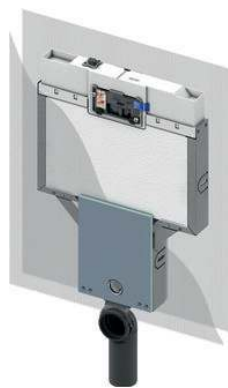
- Safety tank made of impact-resistant plastic
- Cistern completely pre-assembled and sealed
- Cistern connection with 1/2" inner thread
- 9.5-litre tank volume; 6-litre preset standard flush volume; 4.5/6/9-litre flush volume can be set at any time; 3-litre partial flush volume with dual-flush system. Residual volume usable for immediate flush cleaning.
- Insulated against condensation water
- For TECE flush plates and toilet flush handle
- Can be set as a single or dual-flush cistern depending on the flush plate used.
- Tested to DIN EN 14055
- Low-noise hydraulic filling valve

Module consisting of:

- Drain bend DN 90/90
- Toilet connection set DN 90 including protection plugs
- Sound insulation kit
- Lower build space sound-insulated
- 180 or 230 mm ceramic mounting distance

Please order separately:

- Manual toilet flush plate (see flush plates)
- TECEbox assembly feet
- TECEone upgrade set for brick-wall, for cisterns with installation depth up to 8.5 cm



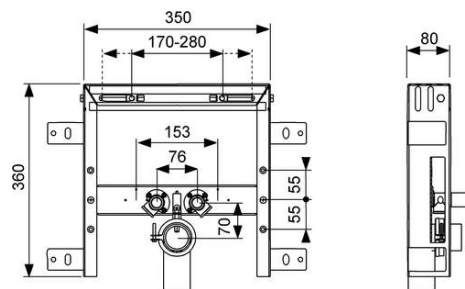
Order No.	DU 1	DU 2
9370009	1 pc.	18 pc.

**TECEbox washstand module, installation depth 8 cm**

Washstand module for installation in a wall or in front of a solid wall.

Components:

- Continuous steel profile
- Adjustable washstand fixing centres
- Two wall disks 1/2" x 1/2" inner thread
- PE-HD drain bend ø 50 mm (weldable) including flush pipe seal and installation material



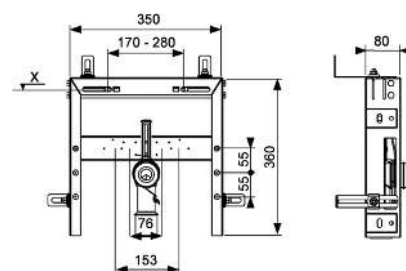
Order No.	DU 1	DU 2
9370032	1 pc.	50 pc.

**TECEbox brick-wall frame for washstand**

To be sealed in front of a solid wall, with four depth-adjustable wall attachments, installation depth 8-19 cm, ceramic mounting spacing 17-28 cm.

Consisting of:

- Surrounding steel frame
- DN 40/50 connecting elbow with NW 30/50 rubber collar (also serves as a seal) incl. protective plug
- Two threaded rods M 10 for ceramic mounting
- Fixing material



Order No.	DU 1
9370033	1 pc.

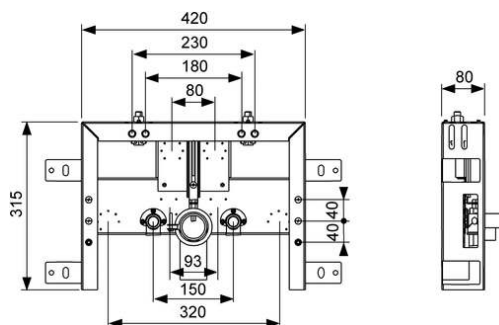
# TECEbox – Washstand, urinal

## TECEbox bidet module, installation depth 8 cm

Bidet module for installation in the wall or in front of a solid wall construction.

Components:

- Continuous steel profile
- Installation spacing 180/230 mm
- Two wall disks 1/2" x 1/2" inner thread
- PE-HD drain bend ø 50 mm including flush pipe seal
- Ceramic mounting set
- Mounting materials



Order No.	DU 1	DU 2
9370031	1 pc.	50 pc.

## TECEbox urinal flush valve housing U 2

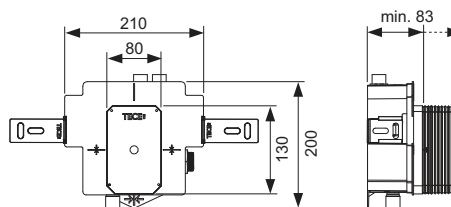
For mounting the TECE urinal valve U 2 in brick-wall construction, for combination with the TECEfilo urinal electronics.

Consisting of:

- Urinal flush valve housing U 2 inlet flow control and bare-wall protection system
- 230 V/12 V-transformer integrated for direct 230 V connection
- Connection IT 1/2"
- incl. mounting elbow and mounting materials

Please order separately:

- TECEfilo urinal electronics (see section on urinal actuators)



Order No.	DU 1
9370040	1 pc.

## TECEbox urinal flush valve housing U 1 with retaining clip

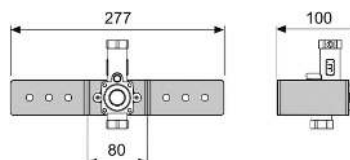
Urinal flush valve housing to fit the TECE urinal flush valve U 1 to brick-wall constructions.

Consisting of:

- Connection 1/2" IT
- Urinal flush valve housing U 1 with inlet flow control and bare-wall protection system
- Galvanised steel retaining clip

Please order separately:

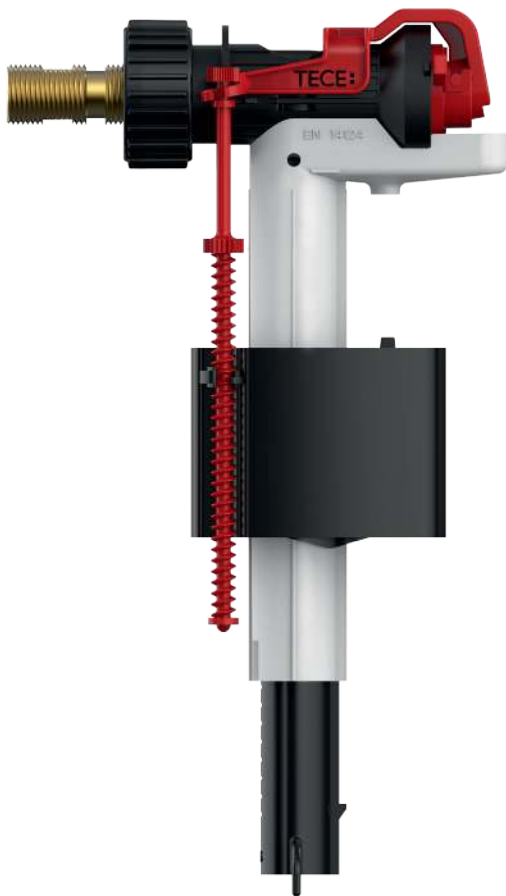
- Manual or electronic actuation (see flush plates)



Order No.	DU 1
9370021	1 pc.

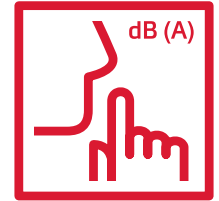
# The F 10 filling valve – for all conventional concealed and wall-mounted cisterns

The filling valve F 10 fits almost all standard concealed and wall-mounted cisterns with 3/8" thread. The filling valve fulfils the requirements of acoustic group 1 and is particularly quiet.



## Product Highlights

- Suitable for all conventional Geberit, Grohe / DAL, Sanit, Viega, Friatec and other cisterns
- For concealed and wall-mounted cisterns
- Extremely quiet: Acoustic group I (DIN 4109)
- Approved in accordance with DIN EN 14124, WRAS / KIWA



Compatible with manufacturer	Concealed cisterns
<b>TECE</b>	All TECE cisterns
<b>Geberit</b>	UP320 / UP300 / Sigma 12 cm
	UP200 / Kappa 15 cm
	UP100 / Delta 12 cm
	UP120 (Artline) / Kappa 15 cm
	UP130 / 110.800 / Twinline 12 cm
	UP170 / 110.700 / Twinline 8 cm
	UP700 / Unica
	Omega 12 cm
	NUVO / 110.620
	Monolith
<b>Grohe / DAL</b>	Grohe DAL 320, Grohe DAL 330
	Grohe DAL 336
	Grohe DAL 337, 6 I, 6-9 I, AV 1, GD 2
<b>Sanit</b>	Ineo Plus, Ineo Solo
	Ineo 80, Ineo, Ineo In
	CC-120-L-FO-2V-L
	982N, 983N, 988C
	980N, 995N
<b>Viega</b>	1H, 1L, 1S
	2H, 2L, 2S
	1C, 2C
<b>Friatec</b>	302003 (Friabloc, Friaset, Wimo)
	302006 (Friafix, Friaset, Wimo, Friaplan)
	302010 (Friabloc, Friaset, Wimo, Friaplan)
	352005 (Friabloc, Wimo, Friaplan)
<b>Wall-mounted cisterns</b>	with 3/8" threaded connector

# TECEbox – Accessories

## TECEbox assembly feet

Assembly aid for installation of the TECEbox toilet module without front facing.

Consisting of:

- Two galvanised assembly feet
- Mounting materials for floor attachment

### Caution:

TECEbox assembly feet are not suitable for assembly in a TECEprofil or stud wall.



<b>Order No.</b>	<b>DU 1</b>
9030024	1 set

## TECEone upgrade set for brick-wall, for cisterns with inst. depth up to 8.5 cm

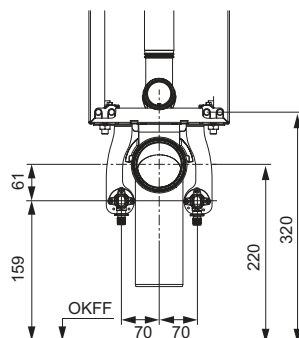
Sound-insulated shell set for pre-installation of brick-wall mounted cistern with installation depth up to 8.5 cm for the TECEone water connection.

Shell set consisting of:

- Holding plates for hot and cold water connections
- Sound-proofing elements for wall disks
- Attachment screws for wall disks



<b>Order No.</b>	<b>DU 1</b>
9880048	1 pc.



## TECEone upgrade set for brick-wall, for cisterns with inst. depth 13 cm

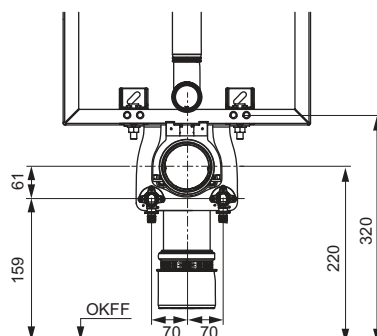
Sound-insulated shell set for pre-installation of dry-wall modules with installation depth 13 cm for the TECEone.

Shell set consisting of:

- Holding plate for hot and cold water connections
- Sound-proofing elements for wall disks
- Attachment screws for wall disks
- Mounting materials



<b>Order No.</b>	<b>DU 1</b>
9880047	1 pc.



**TECEbox assembly feet for toilet modules with Octa cistern, 8 cm**

Assembly feet made of steel, height-adjustable from 290 to 495 mm, including mounting materials for TECEbox toilet module with Octa cistern, 8 cm.

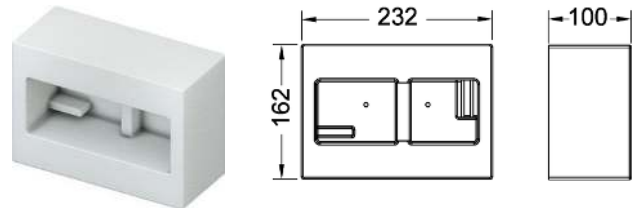
<b>Order No.</b>	<b>DU 1</b>
9030026	1 set

**TECEbox brick-wall protection system for flush-mounted installation**

Larger bare-wall protection system for brick-wall construction to prepare the installation of the installation frame for toilet flush plates. Suitable for use with all TECEbox toilet modules.

Wall thickness at least 30 mm!

<b>Order No.</b>	<b>DU 1</b>
9030029	1 pc.

**TECEbox connection set for standing toilet with Euro-rosette**

Connection set for standing toilet, in white, with flush pipe seal and Euro-rosette.

<b>Order No.</b>	<b>DU 1</b>
9221011	1 pc.

**TECE repair set for cistern made of PP**

To eliminate damage (e.g. from drilling) up to a diameter of approx. 12 mm.

Consisting of:

- Five plastic disks
- Sandpaper
- Hot glue gun
- Two glue sticks
- Cleaner (125 ml)
- Two cloths

<b>Order No.</b>	<b>DU 1</b>
9221013	1 pc.

**TECEprofil extended toilet connection set 30 cm, DN 90**

PE connection set for wall-mounted toilets.

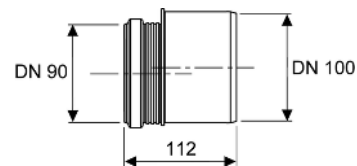
<b>Order No.</b>	<b>DU 1</b>
9820214	1 pc.



# TECEbox – Accessories

## TECEprofil 90° toilet connector, DN 90/100

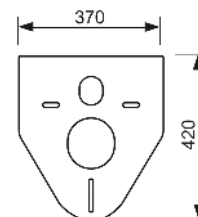
Toilet connector to connect toilet modules horizontally to a DN 100 drain pipe.



Version	Order No.	DU 1	DU 2
PP	9820136	1 pc.	10 pc.
PVC	9820137	1 pc.	10 pc.
PE-HD	9820316	1 pc.	10 pc.

## TECEprofil sound-insulation kit for toilet and bidet

For sound insulation between the toilet or bidet ceramics and tile layer.



Order No.	DU 1	DU 2	DU 3
9200010	1 pc.	10 pc.	60 pc.

## TECEprofil inlet fittings for urinal

Set consisting of:

- 1/2" connection piece
- Urinal connector



Order No.	DU 1
9820055	1 pc.

## TECE corner valve key

For assembly/disconnection of corner valve in TECE cistern, with holder for 1/2" or 1/4" ratchet.



Order No.	DU 1
9820264	1 pc.

## TECE insert chute for cleaning tablets

For inserting toilet cleaning tablets into TECE standard cistern (installation depth 13 cm). In combination with all TECE flush plates or TECElux glass facing with actuation unit, for front installation. Suitable for flush-mounted installation. All TECE flush plates can be retrofitted.

In brick-wall construction, to be used as of 16 mm wall thickness. Maximum brick-wall construction thickness: 60 mm dry-wall construction, 75 mm brick-wall construction.

### Caution:

The cleaning tablets used must not contain chlorine or any other oxidizing substances.



Order No.	DU 1
9240950*	1 pc.



**TECE drain valve A 2**

For TECE standard cisterns (installation depth 13 cm), including valve seat, throttle set and actuation.



<b>Order No.</b>	<b>DU 1</b>
9820223	1 pc.

**TECE filling valve F 10 universal**

Universal filling valve for installation in all TECE cisterns as well as almost all standard concealed and wall-mounted cisterns from other manufacturers.

Product details:

- 3/8" metal connection thread
- Flow pressure 0.1-10 bar
- Minimum flow pressure 0.5 bar
- Adjustable fill height
- Adjustable outflow pipe
- Low-noise in accordance with acoustic group I (DIN 4109)
- Compact design
- Incl. adapter and attachment nut



<b>Order No.</b>	<b>DU 1</b>	<b>DU 2</b>	<b>DU 3</b>
9820353	1 pc.	10 pc.	240 pc.

**TECE throttle set for flushing cisterns with an installation depth of 13 cm**

To adapt the flushing pressure of the standard cisterns (installation depth 13 cm). Installation in valve seat of drain valve, diameter 46-28 mm.



<b>Order No.</b>	<b>DU 1</b>
9820337*	1 pc.

**TECE throttle set for flushing cistern with an installation depth to 8.5 cm**

Throttle set to adjust the flushing pressure of the TECE standard cisterns with low installation depth (up to 8.5 cm). Installs in valve seat of drain valve, diameter 32-28 mm.



<b>Order No.</b>	<b>DU 1</b>
9820394	1 pc.

\* Not in combination with Octa cistern, 8 cm

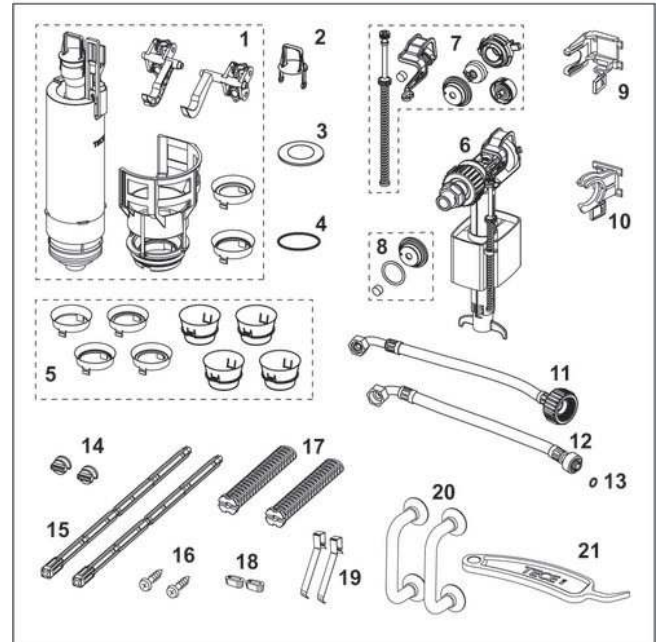
# TECEbox – Spare parts box

## TECEprofil spare parts case for Uni cistern

Plastic assortment case with spare parts for the Uni cistern.



Pos.	Order No.	Designation	Quantity
1	9820223	Drain valve A2	1
2	9820222	Draw eyelet	2
3	9820233	Gasket (drain valve)	5
4	9820005	O-ring (valve seat)	10
5	9820337*	Throttle set for cisterns with an installation depth of 13 cm	1
6	9820353	Filling valve F 10 universal	1
7	9820382	Filling valve F 10 valve lever set	3
8	9820383	Filling valve F 10 sealing kit	3
9	9820372	Filling valve holder for Uni cistern (17 mm, 3/8")	2
10	9820373	Filling valve holder for Uni cistern (27 mm, M 30)	2
11	9820374	Reinforced hose M 30	1
12	9820026	Reinforced hose	1
13	9820025	O-ring	10
14	9820018	Clamping screws	5
15	9820022	Actuation rods	5
16	9820263	Fastening screw	10
17	9820019	Attaching rods	4
18	9820024	Rubber buffer, set of two	10
19	9820020	Push-button springs, set of two	10
20	9820180	Bow-type handles	1
21	9820390	Dismounting and programming key	1



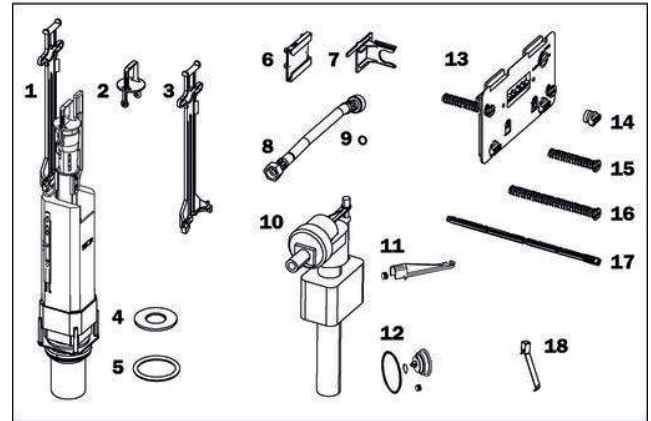
Order No.	DU 1
9820000	1 pc.

## TECE spare parts case for Octa cistern, 8 cm

Plastic assortment case with spare parts for the Octa cistern, 8 cm.



Pos.	Order No.	Designation	Quantity
1	9820224	Drain valve A3 for Octa cistern, 8 cm	2
2	9820222	Draw eyelet	2
3	9820163	Hold-down device (narrow drain valve)	5
4	9820161	Gasket (narrow drain valve)	2
5	9820220	O-ring on valve seat	2
6	9820216	Retainer for filling valve holder	5
7	9820215	Filling valve holder for Octa cistern (17 mm, 3/8")	5
8	9820217	Reinforced hose complete for Octa cistern, 8 cm	1
9	9820221	Reinforced hose O-ring	4
10	9820006	Filling valve F 1	1
11	9820010	Lever	3
12	9820009	Sealing set	5
13	9820194	Splash guard, complete	2
14	9820191	Clamping screws set	1
15	9820189	Attaching rod set, short	1
16	9820219	Attaching rod without screws	1
17	9820193	Actuation rods, blue and red	2
18	9820020	Push-button springs, set of two	5

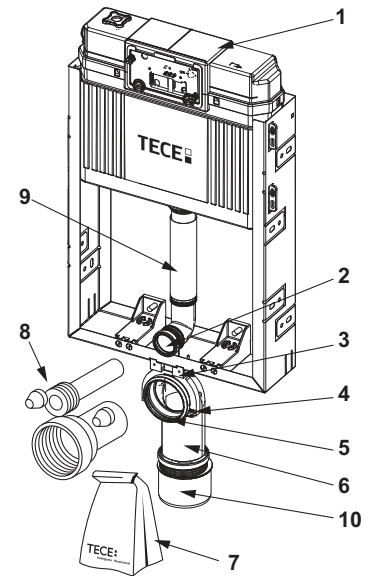


Order No.	DU 1
9820228	1 pc.

# TECEbox – Spare parts

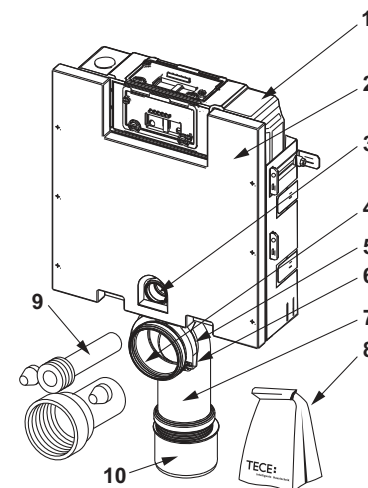
## 9370000 – TECEbox toilet module with Uni cistern, installation height 1060 mm

Pos.	Order No.	Designation	DU 1
1	9820103	Uni cistern 1120 mm	1 pc.
2	9820015	Flush pipe seal	1 pc.
3	9820048	Toilet drain bend holder	1 pc.
4	9820049	Bracket toilet drain bend holder	1 pc.
5	9820139	Seal for toilet drain bend/adaptor	1 pc.
6	9820135	Toilet drain bend DN 90 (PP)	1 pc.
7	9820051	By-pack for brick-wall-mounted cistern (mounting material, etc.)	1 pc.
8	9820057	Connection set DN 90 for toilet	1 pc.
9	9820011	Flush pipe with O-ring, length 269 mm	1 pc.
10	9820136	Adapter DN 90/DN 100 (PP)	1 pc.



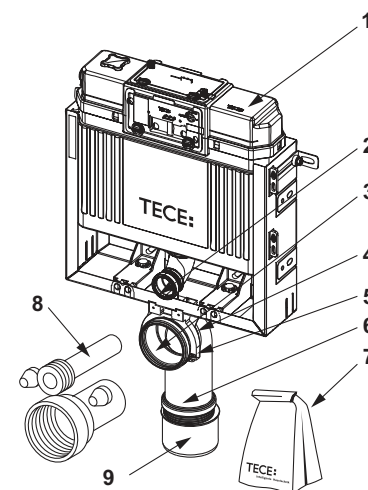
## 9375000 – TECEbox toilet module with Uni cistern and tile base front, installation height 820 mm

Pos.	Order No.	Designation	DU 1
1	9820100	Uni cistern 820 mm	1 pc.
2	9820050	Structural board with screws	1 pc.
3	9820015	Flush pipe seal	1 pc.
4	9820139	Seal for toilet drain bend/adaptor	1 pc.
5	9820048	Toilet drain bend holder	1 pc.
6	9820049	Bracket toilet drain bend holder	1 pc.
7	9820135	Toilet drain bend DN 90 (PP)	1 pc.
8	9820043	By-pack for toilet module (mounting material, etc.)	1 pc.
9	9820057	Connection set DN 90 for toilet	1 pc.
10	9820136	Adapter DN 90/DN 100 (PP)	1 pc.



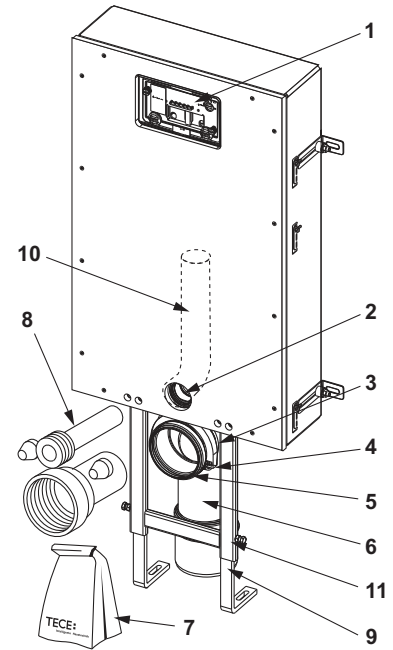
## 9375004 – TECEbox toilet module with Uni cistern, installation height 820 mm

Pos.	Order No.	Designation	DU 1
1	9820100	Uni cistern 820 mm	1 pc.
2	9820015	Flush pipe seal	1 pc.
3	9820139	Seal for toilet drain bend/adaptor	1 pc.
4	9820048	Toilet drain bend holder	1 pc.
5	9820049	Bracket toilet drain bend holder	1 pc.
6	9820135	Toilet drain bend DN 90 (PP)	1 pc.
7	9820043	By-pack for toilet module (mounting material, etc.)	1 pc.
8	9820057	Connection set DN 90 for toilet	1 pc.
9	9820136	Adapter DN 90/DN 100 (PP)	1 pc.



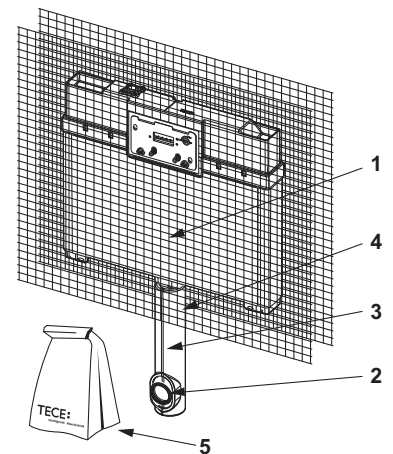
9371000 – TECEbox toilet module with Uni cistern, with tileable front facing, installation height 1110 mm

Pos.	Order No.	Designation	DU 1
1	9820103	Uni cistern 1120 mm	1 pc.
2	9820015	Flush pipe seal	1 pc.
3	9820048	Toilet drain bend holder	1 pc.
4	9820049	Bracket toilet drain bend holder	1 pc.
5	9820139	Seal for toilet drain bend/adaptor	1 pc.
6	9820135	Toilet drain bend DN 90 (PP)	1 pc.
7	9820051	By-pack for brick-wall-mounted cistern (mounting material, etc.)	1 pc.
8	9820057	Connection set DN 90 for toilet	1 pc.
9	9820073	Bases	1 pc.
10	9820011	Flush pipe with O-ring, length 269 mm	1 pc.
11	9820136	Adapter DN 90/DN 100 (PP)	1 pc.



9370007 – TECEbox Octa cistern, 8 cm, for standing toilet, with reinforcement fabric, installation height 1110 mm

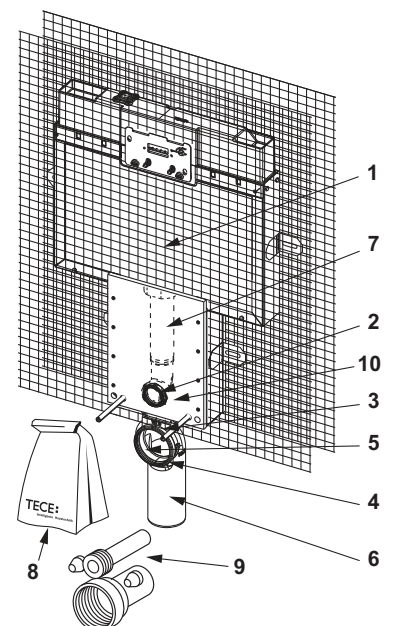
Pos.	Order No.	Designation	DU 1
	9820331	Extra long flush pipe, length 369 mm	1 pc.
1	9820250	Octa cistern, 8 cm	1 pc.
2	9820015	Flush pipe seal	1 pc.
3	9820011	Flush pipe with O-ring, length 269 mm	1 pc.
4	9820143	Flush pipe polystyrene protection for Octa cistern, 8 cm	1 pc.
5	9820144	By-pack for Octa cistern, 8 cm (mounting material, etc.)	1 pc.



9370008 – TECEbox toilet module with Octa cistern, 8 cm, for wall toilet, installation height 1110 mm

9370009 – TECEbox toilet module with Octa cistern, 8 cm, for wall toilet, sound-insulated, installation height 1120 mm

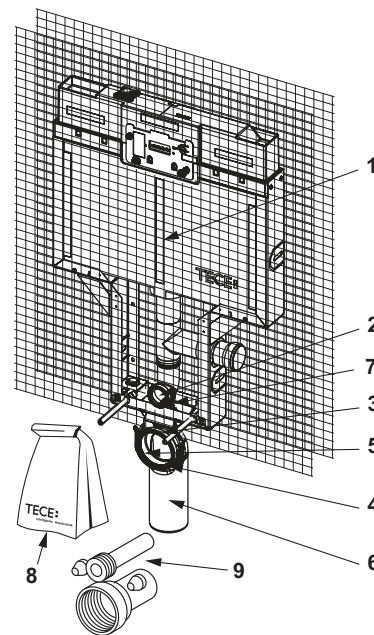
Pos.	Order No.	Designation	DU 1
1	9820250	Octa cistern, 8 cm	1 pc.
2	9820015	Flush pipe seal	1 pc.
3	9820256	Drain bend holder for Octa cistern, 8 cm	1 pc.
4	9820049	Bracket toilet drain bend holder	1 pc.
5	9820139	Seal for toilet drain bend/adaptor	1 pc.
6	9820150	Toilet drain bend DN 90/90 PE-HD, for cisterns 8 cm	1 pc.
7	9820192	Flush pipe with O-ring	1 pc.
8	9820146	By-pack for Octa cistern, 8 cm (mounting material, etc.)	1 pc.
9	9820057	Connection set DN 90 for toilet	1 pc.
10	9820255	Flush pipe holder for Octa cistern, 8 cm	1 pc.



# TECEbox – Spare parts

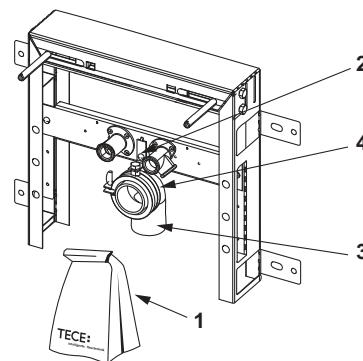
## 9370041 – TECEbox toilet module with Octa cistern, 8 cm, with connection for odour extraction, installation height 1110 mm

Pos.	Order No.	Designation	DU 1
1	9820250	Octa cistern, 8 cm	1 pc.
2	9820015	Flush pipe seal	1 pc.
3	9820256	Drain bend holder for Octa cistern, 8 cm	1 pc.
4	9820049	Bracket toilet drain bend holder	1 pc.
5	9820139	Seal for toilet drain bend/adaptor	1 pc.
6	9820150	Toilet drain bend DN 90/90 PE-HD, for cisterns 8 cm	1 pc.
7	9820255	Flush pipe holder for Octa cistern, 8 cm	1 pc.
8	9820146	By-pack for Octa cistern, 8 cm (mounting material, etc.)	1 pc.
9	9820057	Connection set DN 90 for toilet	1 pc.



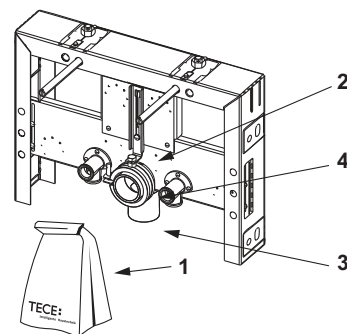
## 9370032 – TECEbox washstand module, installation depth 8 cm

Pos.	Order No.	Designation	DU 1
1	9820153	By-pack for washstand brick-wall module, depth 8 cm (mounting material, etc.)	1 pc.
2	9820149	Clamp for drain bend holder, 50 mm, bidet 8 cm	1 pc.
3	9820151	PE-HD drain bend holder for washstand and bidet module, depth 8 cm	1 pc.
4	9820152	Rubber collar for 50 mm drain bend holder	1 pc.



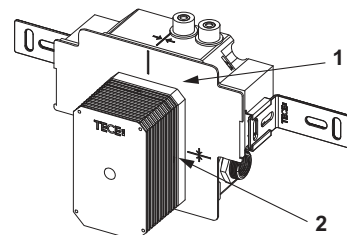
## 9370031 – TECEbox bidet module, installation depth 8 cm

Pos.	Order No.	Designation	DU 1
1	9820148	By-pack for bidet brick-wall module, depth 8 cm (mounting material, etc.)	1 pc.
2	9820149	Clamp for drain bend holder, 50 mm, bidet 8 cm	1 pc.
3	9820151	PE-HD drain bend holder for washstand and bidet module, depth 8 cm	1 pc.
4	9820152	Rubber collar for 50 mm drain bend holder	1 pc.



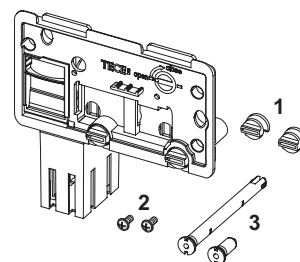
## TECEbox urinal flush valve housing U 2

Pos.	Order No.	Designation	DU 1
1	9820553	Transformer 230 V/12 V	1 pc.
2	9820424	Seal water outlet	1 pc.



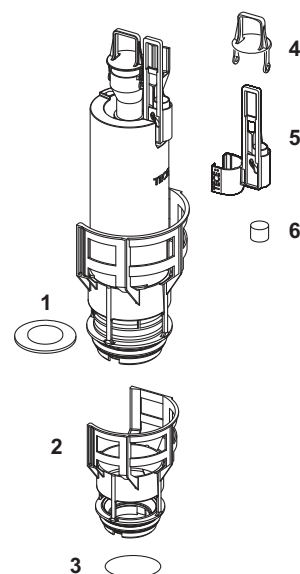
9240950 – TECE insert chute for cleaning tablets

Pos.	Order No.	Designation	DU 1
1	9820191	Clamping screws set	1 pc.
2	9820263	Fastening screw	1 pc.
3	9820349	Guide rods for insert chute	1 pc.



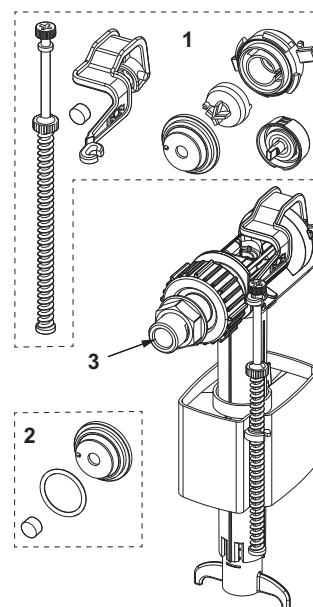
9820223 – TECE drain valve A 2

Pos.	Order No.	Designation	DU 1
1	9820233	Gasket (drain valve)	1 pc.
2	9820231	Valve seat with standard throttle (ø 42 mm)	1 pc.
3	9820005	O-ring (valve seat)	1 pc.
4	9820222	Draw eyelet	1 pc.
5	9820229	Pull rod for electrical actuation	1 pc.
6	9820420	Additional weight small pull rod	NEW 1 pc.



9820353 – TECE filling valve F 10 universal

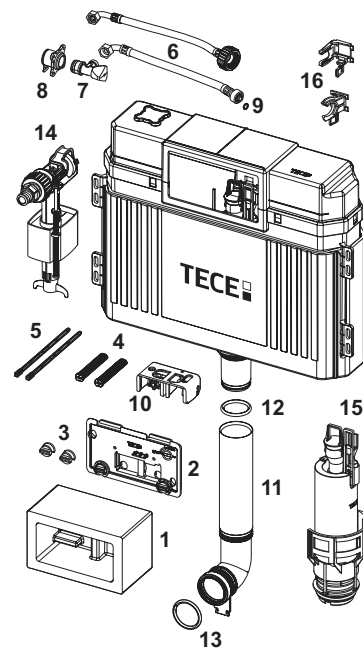
Pos.	Order No.	Designation	DU 1
1	9820382	Filling valve F 10 valve lever set	1 pc.
2	9820383	Filling valve F 10 sealing kit	1 pc.
3	9820398	Filling valve F 10 threaded connection 3/8"	1 pc.



# TECEbox – Spare parts

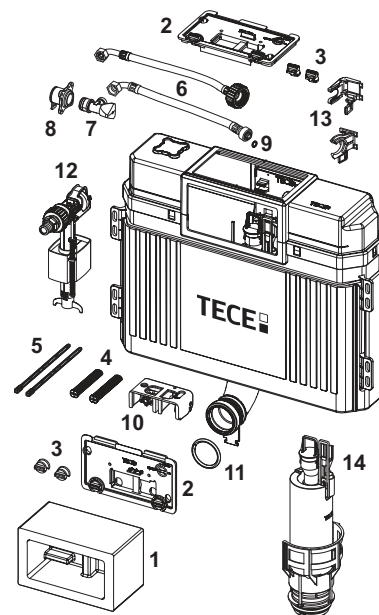
## 9820103 – TECE Uni cistern 1120 mm

Pos.	Order No.	Designation	DU 1
1	9820027	Bare-wall protection system	1 pc.
2	9820017	Splash guard, complete	1 pc.
3	9820018	Clamping screws	1 pc.
4	9820019	Attaching rods	1 pc.
5	9820022	Actuation rods	1 pc.
6	9820026	Reinforced hose	1 pc.
	9820374	Reinforced hose M 30	1 pc.
7	9820013	Corner valve	1 pc.
8	9820012	Cistern connection	1 pc.
9	9820025	O-ring	1 pc.
10	9820016	Actuation block	1 pc.
11	9820011	Flush pipe with O-ring, length 269 mm	1 pc.
	9820331	Extra long flush pipe, length 369 mm	1 pc.
12	9820014	O-ring	1 pc.
13	9820015	Flush pipe seal	1 pc.
14	9820353	Filling valve F 10 universal	1 pc.
15	9820223	Drain valve A2	1 pc.
16	9820372	Filling valve holder for Uni cistern (17 mm, 3/8")	1 pc.
	9820373	Filling valve holder for Uni cistern (27 mm, M 30)	1 pc.



## 9820100 – TECE Uni cistern 820 mm

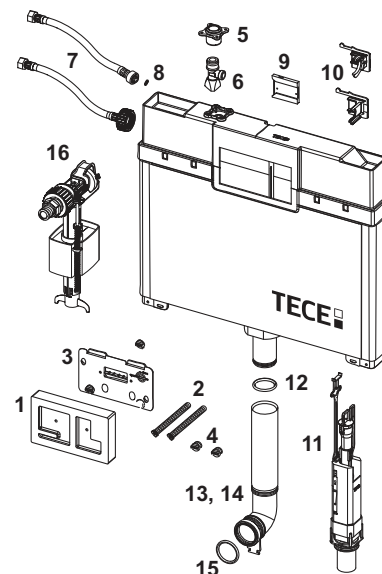
Pos.	Order No.	Designation	DU 1
1	9820027	Bare-wall protection system	1 pc.
2	9820017	Splash guard, complete	1 pc.
3	9820018	Clamping screws	1 pc.
4	9820019	Attaching rods	1 pc.
5	9820022	Actuation rods	1 pc.
6	9820026	Reinforced hose	1 pc.
	9820374	Reinforced hose M 30	1 pc.
7	9820013	Corner valve	1 pc.
8	9820012	Cistern connection	1 pc.
9	9820025	O-ring	1 pc.
10	9820016	Actuation block	1 pc.
11	9820015	Flush pipe seal	1 pc.
12	9820353	Filling valve F 10 universal	1 pc.
13	9820372	Filling valve holder for Uni cistern (17 mm, 3/8")	1 pc.
	9820373	Filling valve holder for Uni cistern (27 mm, M 30)	1 pc.
14	9820223	Drain valve A2	1 pc.





9820250 – TECE Octa cistern, 8 cm

Pos.	Order No.	Designation	DU 1
1	9820188	Bare-wall protection system, short	1 pc.
2	9820189	Attaching rod set, short	1 pc.
3	9820194	Splash guard, complete	1 pc.
4	9820191	Clamping screws set	1 pc.
5	9820012	Cistern connection	1 pc.
6	9820013	Corner valve	1 pc.
7	9820217	Reinforced hose complete for Octa cistern, 8 cm	1 pc.
	9820376	Reinforced hose M 30	1 pc.
8	9820221	Reinforced hose O-ring	1 pc.
9	9820216	Retainer for filling valve holder	1 pc.
10	9820375	Filling valve holder for Octa cistern (27 mm, M 30)	1 pc.
	9820215	Filling valve holder for Octa cistern (17 mm, 3/8")	1 pc.
11	9820224	Drain valve A3 for Octa cistern, 8 cm	1 pc.
12	9820014	O-ring	1 pc.
13	9820192	Flush pipe with O-ring	1 pc.
14	9820011	Flush pipe with O-ring, length 269 mm	1 pc.
15	9820015	Flush pipe seal	1 pc.
16	9820353	Filling valve F 10 universal	1 pc.



Sanitary Module

TECEprofil flush valve cartridge U 1

Flush valve cartridge for flush valve housing U 1, with automatic jet cleaning needle.

Order No.	DU 1
9820031	1 pc.



TECEprofil seal for flush pipe connection

Order No.	DU 1
9820213	1 pc.



TECEprofil flush pipe connection 20 cm

PP flush pipe connection for wall-mounted toilets.

Order No.	DU 1
9820246	1 pc.



# TECEbox – Spare parts

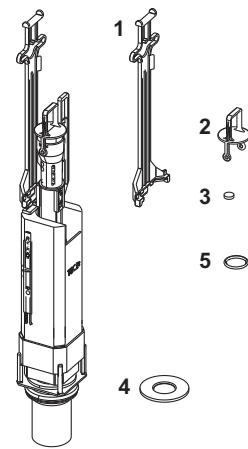
TECE drain valve A3 for Octa cistern, 8 cm

Order No.	DU 1
9820224	1 pc.



9820224 – TECE drain valve A3 for Octa cistern, 8 cm

Pos.	Order No.	Designation	DU 1
1	9820163	Hold-down device (narrow drain valve)	1 pc.
2	9820222	Draw eyelet	1 pc.
3	9820275	Additional weight	1 pc.
4	9820161	Gasket (narrow drain valve)	1 pc.
5	9820446	O-ring joint drain valve A 3	<b>NEW</b> 10 pc.





Plumbing Framework

# TECEprofil PRE-WALL PROFILE

ASSORTMENT LIST 2019



	Page
Basic components	174
Toilet connection units	176
Washstand connection units	177
Urinal connection units	179
Fitting connections	180
Safety arm support, mounting plates	182
Supporting frame accessories	183
Panel facing	185
Tools	187
Spare parts	188

An overview of valid Declarations of Performances (DOP) is available at [www.tece.com](http://www.tece.com).

**Note:**

DU 1 = minimum order quantity per item; sometimes it is not possible to order smaller quantities for technical reasons  
 DU 2 = Euro palette for modules

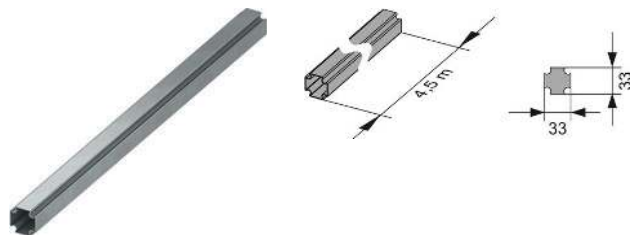
References to standards and installation recommendations are based on standards and building regulations currently applicable in Germany. Different or supplementary regulations may apply in other countries. Observe all local regulations.

# TECEprofil – Basic components

## TECEprofil section tube

Section tube to create a supporting framework to hold structural TECEprofil components; made of rolled steel, welded and galvanised.

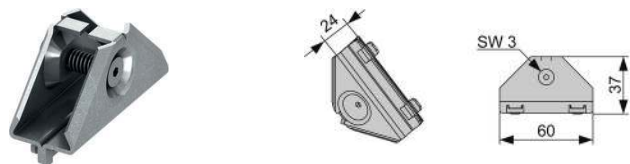
Order No.	DU 1	DU 2	DU 3
9000000	18 m	630 m	1890 m



## TECEprofil corner joint

Corner joint for a solid, right-angled connection with TECEprofil section tubes; pre-assembled unit made of galvanised steel; M 5 socket head screw (SW 3) and compression spring.

Order No.	DU 1	DU 2	DU 3
9010002	30 pc.	240 pc.	5400 pc.

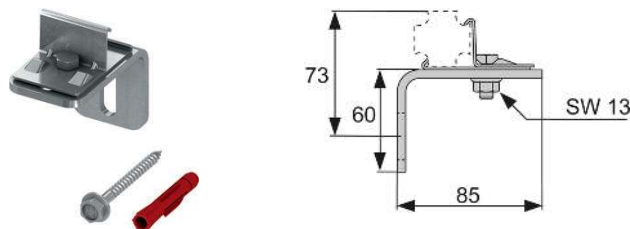


## TECEprofil angle bracket

Angle bracket for attaching TECEprofil profile tubes to structure. Pre-assembled galvanised steel unit incl. mounting materials.

Optional: TECEprofil sound insulation set for angle bracket 9021019

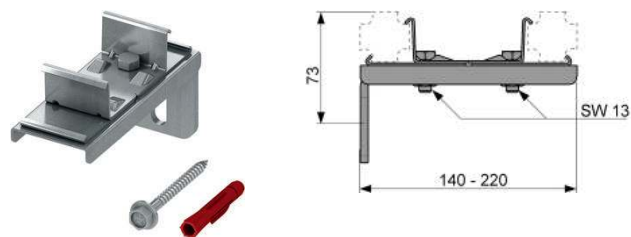
Order No.	DU 1	DU 2	DU 3
9030002	10 pc.	60 pc.	240 pc.



**TECEprofil double joint**

Double joint to simultaneously attach two TECEprofil section tubes to the structure. For supporting structure depths of 140-220 mm. Pre-assembled galvanised steel unit incl. mounting materials.

Optional: TECEprofil sound insulation set for angle bracket 9021019

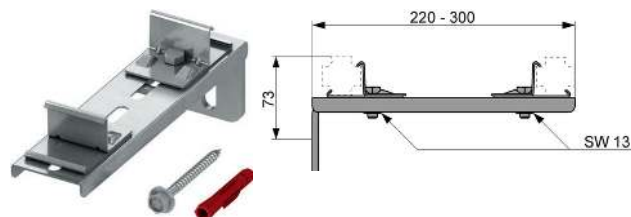


Order No.	DU 1	DU 2	DU 3
9030011	5 pc.	15 pc.	60 pc.

**TECEprofil double joint, long version**

Double joint to simultaneously attach two TECEprofil section tubes to the structural body. For duct and supporting frame depths of 220-300 mm. Pre-assembled galvanised steel unit incl. mounting materials.

Optional: TECEprofil sound insulation set for angle bracket 9021019



Order No.	DU 1	DU 2
9030013	2 pc.	10 pc.

**TECEprofil sound-insulation set for angle brackets**

Sound insulation kit for sound insulation of angle brackets at structural body.



Order No.	DU 1	DU 2	DU 3
9021019	50 pc.	200 pc.	400 pc.

# TECEprofil – Toilet connection units

## TECEprofil toilet connection unit with Uni cistern

Toilet connection unit with Uni cistern.

Consisting of:

Uni cistern for front actuation:

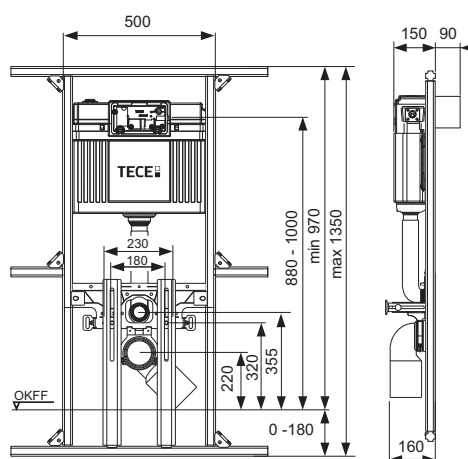
- Safety tank made of impact-resistant plastic Cistern
- Cistern fully pre-assembled and sealed
- Cistern connection with 1/2" inner thread
- 10-litre tank volume; 6-litre preset standard flush volume; 4.5/7.5/9-litre flush volume can be optimally set at any time; 3-litre partial flush volume for dual-flush system. Remaining volume can be used for immediate cleaning flush.
- Insulated against condensation water
- For TECE flush plates and toilet flush handle
- Can be set as a single or dual-flush cistern depending on the flush plate used
- Certified in accordance with DIN EN 14055
- Acoustic group 1 in accordance with DIN 4109
- Low-noise hydraulic filling valve

Unit consisting of:

- 180 or 230 mm crossbeams for attaching the toilet
- Two M 12 retaining bolts and nuts
- Two adjustable supports for floor projections of 0-200 mm
- Toilet drain bend DN 90 incl. joint adapter DN 90/100 made of PP
- Joint adapter also suitable for horizontal installation
- Toilet connection set DN 90, including protective plugs

Please order separately:

- Toilet flush plate (see flush plates)
- Insert chute for cleaning tablets



Order No.	DU 1	DU 2	DU 3
9041006	1 pc.	10 pc.	60 pc.

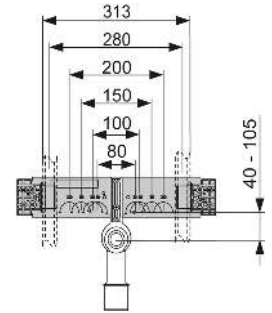


## TECEprofil connection unit for washstand

Sound-insulated galvanised steel crossbeam for assembly of wall disks by the customer, with pre-assembled connection bend DN 40/50, rubber collar, nominal diameter 30/50, protective plug, mounting material for attaching to TECEprofil section tubes, 2 x M 10 fixing brackets and washstand attachments.

**Please order separately:**

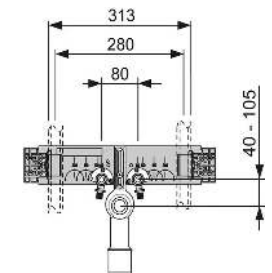
- Wall disks TECEflex 16 x 1/2", TECE 1/2" x 1/2", TECElogo 16 x 1/2" or TECElogo 20 universal connection x 1/2"



Order No.	DU 1	DU 2
9020033	1 pc.	10 pc.

## TECEprofil connection unit for washstand incl. TECEflex or TECElogo wall disks

Sound-insulated galvanised steel crossbeam, pre-assembled wall disks with pre-set 80 mm bore hole, pre-assembled connection bend DN 40/50, with rubber collar nominal diameter 30/50, (also acts as seal), incl. protective plug, mounting material for attaching to TECEprofil section tubes, 2 x M 10 fixing brackets and washstand attachments.



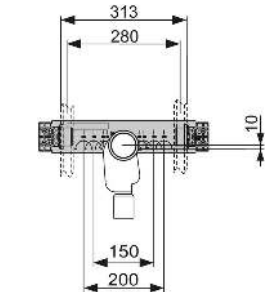
Version	Order No.	DU 1	DU 2
TECEflex 16 x 1/2" red brass/silicon bronze	9020049	1 pc.	10 pc.
TECElogo 20 x 1/2" red brass/silicon bronze	9020050	1 pc.	10 pc.

## TECEprofil connection unit for washstand with concealed odour trap

Sound-insulated galvanised steel crossbeam, for assembly of wall disks by the customer, with pre-assembled DN 50 concealed odour trap, NW 30, removable U-bend insert (also serves as seal), incl. protective plugs, fixing material for attaching to TECEprofil section tubes, 2 x M 10 fixing brackets and washstand attachments.

**Please order separately:**

- Wall disks TECEflex 16 x 1/2", TECE 1/2" x 1/2", TECElogo 16 x 1/2" or TECElogo 20 universal connection x 1/2"
- Connection bend for concealed odour trap 9080001



Order No.	DU 1	DU 2
9020034	1 pc.	10 pc.

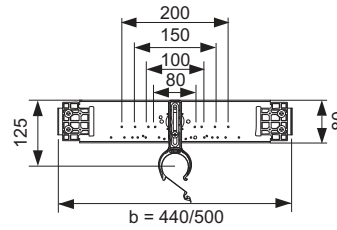
# TECEprofil – Washstand connection units

## TECEprofil connection unit for washstand

Sound-insulated galvanised steel crossbeam, for assembly of wall disks by the customer, incl. pre-assembled drain retainer, for installation in C-profile walls.

**Please order separately:**

- Wall disks TECEflex 16 x 1/2", TECE 1/2" x 1/2", TECElogo 16 x 1/2" or TECElogo 20 universal connection x 1/2"
- Toilet drain bend DN 50/40
- Rubber collar ND 30/50



Version	Order No.	DU 1	DU 2
440 mm	9020048	1 pc.	10 pc.
500 mm	9020054	1 pc.	10 pc.

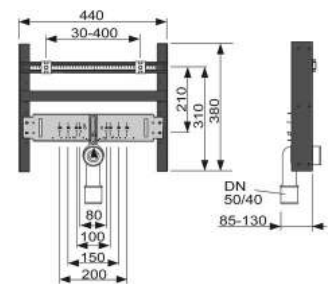
## TECEprofil washstand support for the installation in metal or wooden post-and-beam walls

Pre-assembled unit, consisting of:

- Mounting frame, powder coated
- Two M 10 retaining bolts, vertically and laterally adjustable distance gauge
- Mounting connection crossbeam
- Connection bend DN 40/50 with rubber collar, NW 30/50, protective plug

**Please order separately:**

- Wall disks TECEflex 16 x 1/2", TECE 1/2" x 1/2", TECElogo 16 x 1/2" or TECElogo 20 universal connection x 1/2"



Order No.	DU 1	DU 2
9510003	1 pc.	10 pc.

## TECEprofil connection unit for urinal with TECE flush valve housing U 1

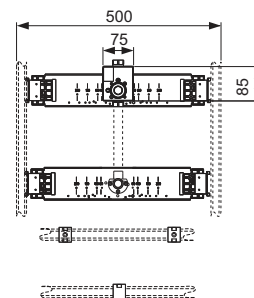
To hold manual and electronic actuation systems.

Completely pre-assembled unit, consisting of:

- Sound-insulated galvanised steel crossbeam
- TECE urinal flush valve housing with inlet flow control and bare-wall protection
- Fitting connection 1/2" x 1/2"
- 3 x M 8 fixing brackets
- Urinal fixing material
- Inlet fittings

Please order separately:

- Manual or electronic actuation



<b>Order No.</b>	<b>DU 1</b>
9020038	1 pc.

## TECEprofil connection unit for urinal Keramag Joly with TECE flush valve housing U 1

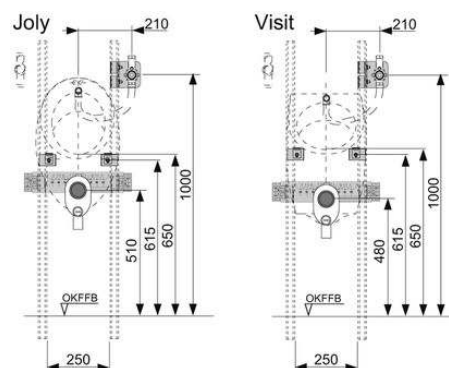
To attach recessed urinals to a TECEprofil wall. Top, left or right actuation to suit.

Consisting of:

- TECE urinal flush valve housing with inlet flow control and bare-wall protection system
- Galvanised steel retaining plate
- M 8 fixing bolts
- DN 50 odour extraction trap with galvanised crossbeam

Please order separately:

- Manual actuation
- "Kerafix" and plumbing connection: see Keramag



<b>Order No.</b>	<b>DU 1</b>
9020039	1 pc.

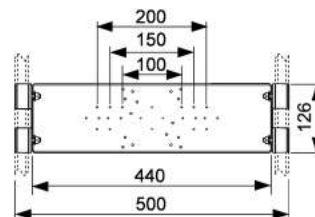
# TECEprofil – Fitting connections

## TECEprofil mounting crossbeam for flush-mounted and external fittings

Galvanised steel crossbeams for the customer to assemble flush-mounted and external fittings; includes mounting material for TECEprofil section tubes or for installation in metal or wooden post-and-beam walls. Compatible with Hansa Varox, Hansgrohe i-box and Kludi Flex-Box, for instance.

Please order separately:

- Wall disks TECEflex 16 x 1/2", TECE 1/2" x 1/2", TECElogo 16 x 1/2" or TECElogo 20 universal connection x 1/2"



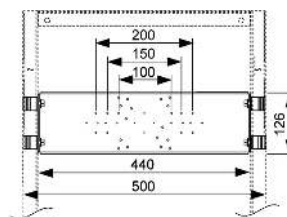
Order No.	DU 1	DU 2
9020040	1 pc.	10 pc.

## TECEprofil mounting crossbeam for flush-mounted and external fitting for subsequent installation in washstand modules

Galvanised steel crossbeam for the customer to assemble flush-mounted and external fittings; incl. mounting material for subsequent installation in TECEprofil washstand modules or for installation in metal or wooden post-and-beam walls. Compatible with Hansa Varox, Hansgrohe i-box and Kludi Flex-Box, for instance.

Please order separately:

- Wall disks TECEflex 16 x 1/2", TECE 1/2" x 1/2", TECElogo 16 x 1/2" or TECElogo 20 universal connection x 1/2"



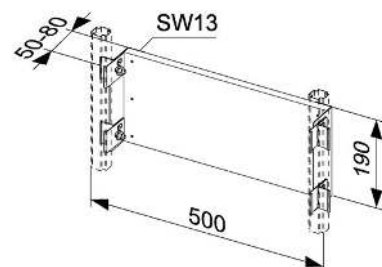
Order No.	DU 1	DU 2
9020041	1 pc.	10 pc.

## TECEprofil mounting plate for flush-mounted fittings

Continuously height-adjustable assembly plate to attach flush-mounted fittings and other appointments.

Pre-assembled unit, consisting of:

- Base plate made of watertight, glued structural veneer in keeping with German standard DIN 68705
- Mounting elbow, galvanised
- Four multi-clamps



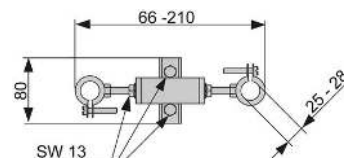
Order No.	DU 1
9150000	1 pc.

## TECEprofil connection unit for stop valve and water meter

Holder to firmly retain standard commercial stop valves and water meters using pipe clips; continuously adjustable in terms of spacing, depth and height.

Pre-assembled unit, consisting of

- Two pipe clips with sound-insulating rubber
- Mounting material for fitting to TECEprofil section tube



Order No.	DU 1	DU 2
9020019	1 pc.	10 pc.

## TECEprofil connection unit for washing machine

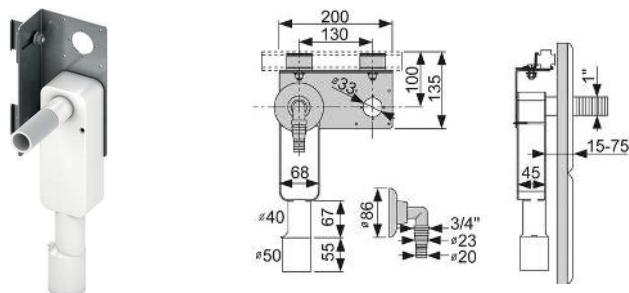
For horizontal or vertical installation in a TECEprofil supporting frame.

Consisting of

- Galvanised steel crossbeams to attach U-bend and wall disk
- In-built U-bend for washing machine, DN 40/50
- Chromed hose connection
- Chromed rosette
- Fixing material to attach to a TECEprofil brace

Please order separately:

- Wall disks TECEflex 16 x 1/2", TECE 1/2" x 1/2", TECElogo 16 x 1/2" or TECElogo 20 universal connection x 1/2"



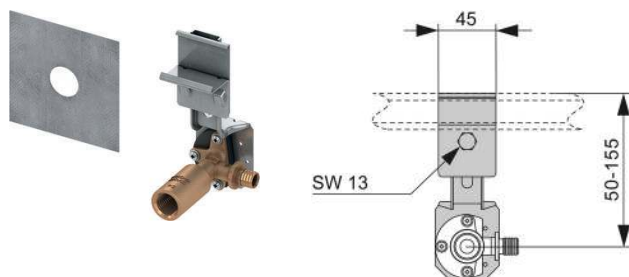
Order No.	DU 1	DU 2
9020036	1 pc.	2 pc.

## TECEprofil mounting connection

To fit an individual tap connection to the TECEprofil supporting frame

Pre-assembled unit, consisting of:

- Wall disk TECEflex 16 x 1/2", long or TECE 1/2" x 1/2", long or TECElogo 20 universal connection x 1/2"
- Sound insulation from supporting frame
- Self-adhesive seal collar to seal between panel and wall disk
- Fixing material to attach to a TECEprofil section tube
- Marking plug



Version	Order No.	DU 1	DU 2
TECEflex 16 x 1/2" standard brass	9020020	1 pc.	4 pc.
TECE 1/2" x 1/2" red brass/silicon bronze	9020004	1 pc.	4 pc.
TECElogo 16 x 1/2" standard brass	9020045	1 pc.	4 pc.
without wall disk	9020046	1 pc.	4 pc.
TECEflex 16 x 1/2" red brass/silicon bronze	9020051	1 pc.	4 pc.
TECElogo 20 x 1/2" red brass/silicon bronze	9020052	1 pc.	4 pc.

## TECEprofil system wall disks

Long dry-wall construction disk to mount on site with washstands, bidet and externally mounted fittings in the TECEprofil system.

Consisting of:

- Wall disk TECEflex 16 x 1/2", long or TECE 1/2" x 1/2", long or TECElogo 20 universal connection x 1/2"
- Self-adhesive seal collar to seal between panel and wall disk
- Mounting material
- Marking plug

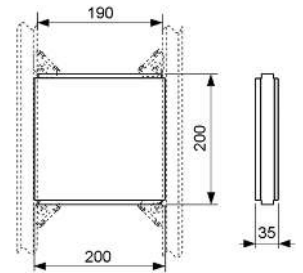


Version	D	d	L	Order No.	DU 1	DU 2
TECE 1/2" x 1/2" red brass/silicon bronze	Rp 1/2"	Rp 1/2"	82 mm	9021017	1 pc.	20 pc.
TECEflex 16 x 1/2" red brass/silicon bronze	Rp 1/2"	Dim. 16 TECEflex	82 mm	9021021	1 pc.	20 pc.
TECElogo 20 x 1/2" red brass/silicon bronze	Rp 1/2"	20 mm universal connection	87 mm	9021022	1 pc.	20 pc.

# TECEprofil – Safety arm support, mounting plates

## TECEprofil mounting plate for additional appointments, 200 mm x 200 mm

Mounting plate for a stable attachment of additional appointments, e.g., mirror cupboard in a TECEprofil supporting frame; made of watertight, glued structural veneer to DIN 68705.



Order No.	DU 1	DU 2
9042005	1 pc.	10 pc.

## TECEprofil module for safety arm support and support systems

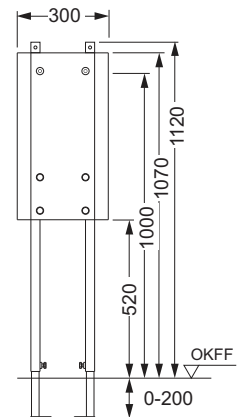
For installation in a UA profile stud walls or as pre-wall element.

Completely pre-assembled unit, consisting of:

- self-supporting mounting frame, powder-coated
- watertight, multi-glued wood inlay panel
- Mounting materials for fixing to a UA profile wall

Please order separately:

- Depth-adjustable module attachment 9380000 for pre-wall assembly



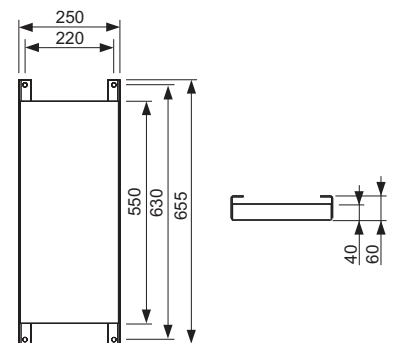
Order No.	DU 1	DU 2
9360000	1 pc.	10 pc.

## TECEprofil mounting plate for safety arm support and support systems

For the stable fixing of support handles and holding systems in a TECEprofil supporting structure or a UA profile stud wall.

Pre-assembled unit, consisting of:

- Attachment plate for screwing to a TECEprofil universal module, of watertight glued veneer
- two multi-clamps for fixing to the TECEprofil supporting structure



Order No.	DU 1
9042003	1 pc.

## TECEprofil connector with ball joint

Universal attachment to mount components in the TECEprofil supporting frame. With the ball joint it is possible to set any angle and position.

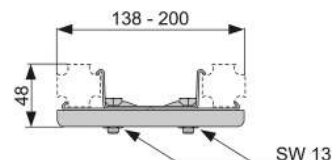
Order No.	DU 1	DU 2
9018011	2 pc.	10 pc.



## TECEprofil universal connector

To join TECEprofil section tubes at any angle. Pre-assembled galvanised steel unit.

Order No.	DU 1	DU 2
9018002	6 pc.	30 pc.



## TECEprofil mounting set for UA profile walls

Fixing material to attach TECEprofil modules to lateral flush-mounted profiles. Suitable for flush-mounted 50 profiles to DIN 18182 Part 1.

Consisting of:

- Four bolts with nuts
- Eight washers

Order No.	DU 1	DU 2
9380006	1 set	5 set



## TECEprofil mounting set for wooden post-and-beam walls

Fixing material to attach TECEprofil modules to lateral post-and-beam structures.

Consisting of:

- Four hexagonal head wood screws
- Four washers

Order No.	DU 1	DU 2
9380005	1 set	5 set



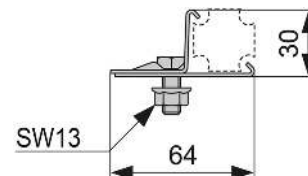
## TECEprofil multi-clips

To fix non-system materials to TECEprofil section tubes.

Consisting of:

- M 8 nut and bolt
- Galvanised steel plates

Order No.	DU 1	DU 2
9010003	10 pc.	30 pc.



# TECEprofil – Supporting frame accessories

## TECEprofil fixing bracket

To hold a threaded rod. Pre-assembled galvanised steel unit, without threaded rod.



Version	Order No.	DU 1	DU 2
M 10	9040001	10 pc.	30 pc.
M 8	9040004	10 pc.	30 pc.

## TECEprofil attaching screw 4.2 x 13 mm

Self-tapping Phillips screw to fix non-system materials to TECEprofil section tubes and crossbeams.

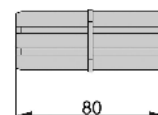


PH2

Order No.	DU 1	DU 2
9018007	100 pc.	500 pc.

## TECEprofil section tube connector

To create a stable axial connection between two TECEprofil section tubes.



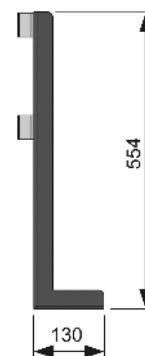
Order No.	DU 1	DU 2
9010009	5 pc.	50 pc.

## TECEprofil supporting foot for free-standing walls

To brace stand-alone TECEprofil supporting frames.

Consisting of:

- Galvanised steel supporting foot
- Mounting material for fitting to shell floor
- Mounting material for attaching to TECEprofil supporting structure



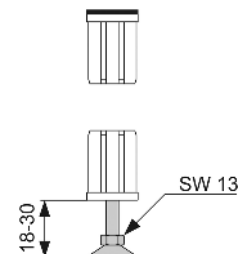
Order No.	DU 1
9030017	1 pc.

## TECEprofil plug-in foot

Levelling foot and end cap for insertion into a TECEprofil section tube. The levelling foot is suitable for load bearing, e.g. supporting steel bathtubs. No additional steel bathtub foot is required.

Consisting of:

- Levelling foot to adjust height of TECEprofil section tubes
- End cap with rubber overlay



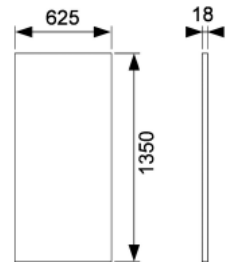
Order No.	DU 1	DU 2
9140000	4 pc.	20 pc.



## TECEprofil panel plate

Moisture proof plate for panel facing TECEprofil supporting frame of TECEprofil modules. Made of impregnated plasterboard, to DIN 4102-A2, non-flammable.

Order No.	DU 1	DU 2	DU 3
9200000	30 pc.	60 pc.	120 pc.



## TECEprofil knifing filler, impregnated

To fill gaps in the TECEprofil panel facing. Supplied in 5 kg bags. Filling to quality level Q1; higher quality levels must be taken into consideration in invitations to tender.

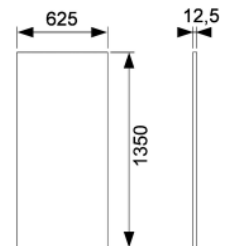
Order No.	DU 1	DU 2
9200001	5 kg	20 kg



## TECEprofil panel plate, for highly wet areas

Special facing plate for TECEprofil supporting frame in highly wet areas. 12.5 mm thick cement-bound lightweight concrete panel, in accordance with DIN EN 13501-1, non-flammable.

Order No.	DU 1	DU 2	DU 3
9200013	1 pc.	30 pc.	60 pc.



## TECEprofil glue cartridge

For adhesion and grouting of butt-joined TECEprofil panel plate (9200013) for highly-wet areas.

Order No.	DU 1	DU 2
9200014	1 pc.	25 pc.



## TECEprofil panel screw, self-tapping

To attach TECEprofil panels to TECEprofil section tubes; made of steel, 3.5 mm x 35 mm (drill bit PH2).



Order No.	DU 1	DU 2	DU 3
9200002	250 pc.	4500 pc.	9000 pc.

## TECEprofil – Panel facing

### TECEprofil fire protection plate set

Fire protection plates for standard toilet modules with TECE cisterns.  
Set consisting of two non-flammable rockwool heat insulation boards A1.  
Dimensions (W x H x D): 1000 x 625 x 30 mm and 711 x 440 x 20 mm.

In the event of fire protection requirements for partition walls with toilet modules, the fire protection plates must be used. Fire protection walls made of TECEprofil from F 30 to F 120 must be installed in accordance with "abP P-3226/492/11-MPA BS".



Order No.	DU 1	DU 2
9200017	1 pc.	10 pc.

**TECE repair set for cistern made of PP**

To eliminate damage (e.g. from drilling) up to a diameter of approx. 12 mm.

Consisting of:

- Five plastic disks
- Sandpaper
- Hot glue gun
- Two glue sticks
- Cleaner (125 ml)
- Two cloths



<b>Order No.</b>	<b>DU 1</b>
9221013	1 pc.

**TECE corner valve key**

For assembly/disconnection of corner valve in TECE cistern, with holder for 1/2" or 1/4" ratchet.

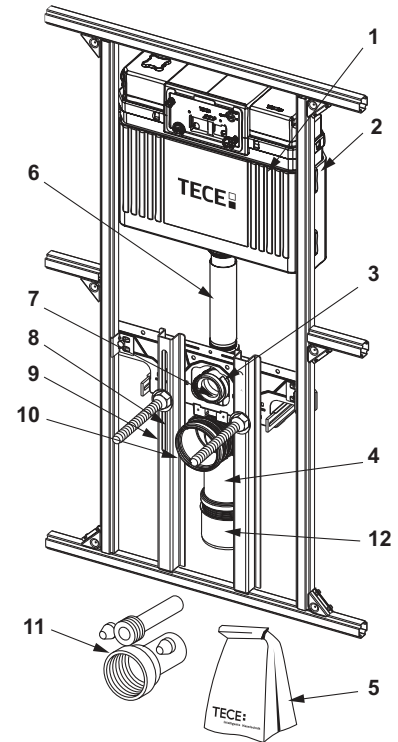


<b>Order No.</b>	<b>DU 1</b>
9820264	1 pc.

# TECEprofil – Spare parts

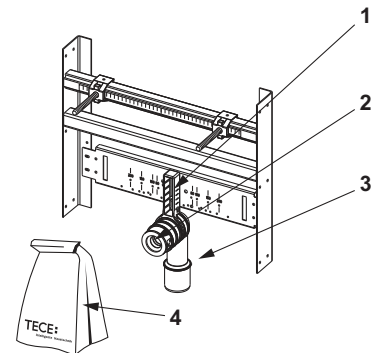
## 9041006 – TECEprofil toilet connection unit with Uni cistern

Pos.	Order No.	Designation	DU 1
1	9820103	Uni cistern 1120 mm	1 pc.
2	9820065	Assembly kit for cistern	1 pc.
3	9820034	Drain bend holder DN 50	1 pc.
4	9820134	Toilet drain bend DN 90 (PP)	1 pc.
5	9820066	By-pack for toilet module (mounting material, etc.)	1 pc.
6	9820011	Flush pipe with O-ring, length 269 mm	1 pc.
7	9820015	Flush pipe seal	1 pc.
8	9820335	C-section for module foot	1 pc.
9	9820037	Spacer for the installation of the toilet module feet	1 pc.
10	9820139	Seal for toilet drain bend/adaptor	1 pc.
11	9820057	Connection set DN 90 for toilet	1 pc.
12	9820136	Adapter DN 90/DN 100 (PP)	1 pc.



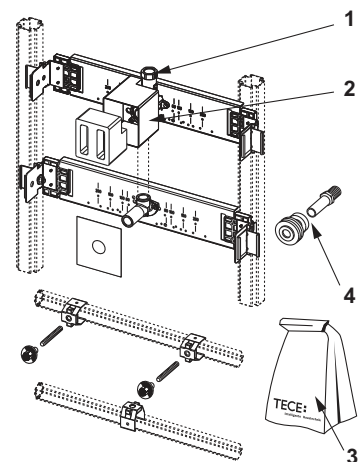
## 9510003 – TECEprofil washstand support for the installation in metal or wooden post-and-beam walls

Pos.	Order No.	Designation	DU 1
1	9820034	Drain bend holder DN 50	1 pc.
2	9820059	KA rubber collar nominal diameter 30/50	1 pc.
3	9820035	Drain bend DN 50/DN 40	1 pc.
4	9820133	By-pack for washstand support (mounting material, etc.)	1 pc.



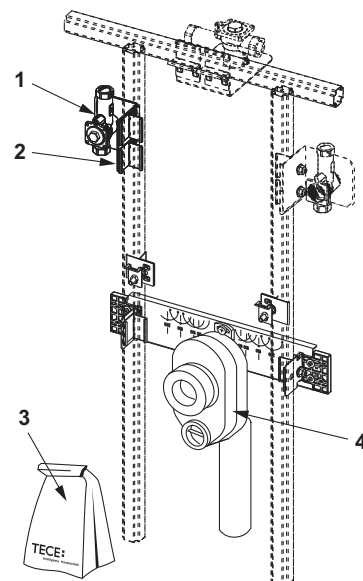
## 9020038 – TECEprofil connection unit for urinal with TECE flush valve housing U 1

Pos.	Order No.	Designation	DU 1
1	9820074	Urinal flush valve housing U 1 with plug	1 pc.
2	9820075	Bare-wall protection, supporting body, screws flush valve housing U 1	1 pc.
3	9820076	By-pack for urinal module (mounting material, etc.)	1 pc.
4	9820055	Inlet fittings for urinal, 1/2"	1 pc.



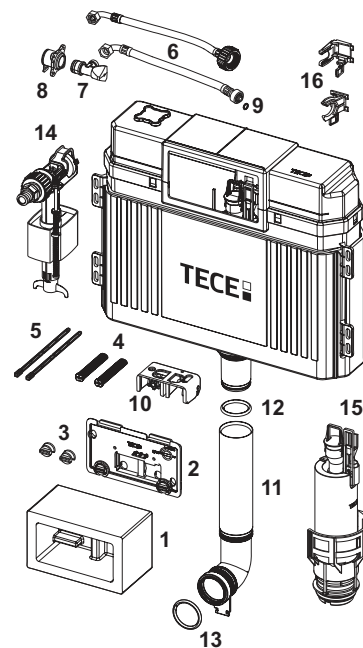
9020039 – TECEprofil connection unit for urinal Keramag Joly with TECE flush valve housing U 1

Pos.	Order No.	Designation	DU 1
1	9820074	Urinal flush valve housing U 1 with plug	1 pc.
2	9820102	Holder for urinal flush valve housing	1 pc.
3	9820076	By-pack for urinal module (mounting material, etc.)	1 pc.
4	9820105	Odour extraction trap DN 50	1 pc.



9820103 – TECE Uni cistern 1120 mm

Pos.	Order No.	Designation	DU 1
1	9820027	Bare-wall protection system	1 pc.
2	9820017	Splash guard, complete	1 pc.
3	9820018	Clamping screws	1 pc.
4	9820019	Attaching rods	1 pc.
5	9820022	Actuation rods	1 pc.
6	9820026	Reinforced hose	1 pc.
	9820374	Reinforced hose M 30	1 pc.
7	9820013	Corner valve	1 pc.
8	9820012	Cistern connection	1 pc.
9	9820025	O-ring	1 pc.
10	9820016	Actuation block	1 pc.
11	9820011	Flush pipe with O-ring, length 269 mm	1 pc.
	9820331	Extra long flush pipe, length 369 mm	1 pc.
12	9820014	O-ring	1 pc.
13	9820015	Flush pipe seal	1 pc.
14	9820353	Filling valve F 10 universal	1 pc.
15	9820223	Drain valve A2	1 pc.
16	9820372	Filling valve holder for Uni cistern (17 mm, 3/8")	1 pc.
	9820373	Filling valve holder for Uni cistern (27 mm, M 30)	1 pc.

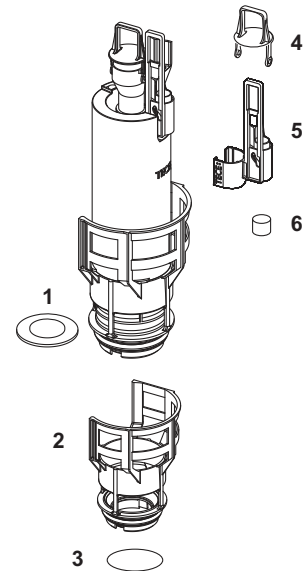


TECEprofil

# TECEprofil – Spare parts

## 9820223 – TECE drain valve A 2

Pos.	Order No.	Designation	DU 1
1	9820233	Gasket (drain valve)	1 pc.
2	9820231	Valve seat with standard throttle (ø 42 mm)	1 pc.
3	9820005	O-ring (valve seat)	1 pc.
4	9820222	Draw eyelet	1 pc.
5	9820229	Pull rod for electrical actuation	1 pc.
6	9820420	Additional weight small pull rod	NEW 1 pc.



## TECEprofil flush valve cartridge U 1

Flush valve cartridge for flush valve housing U 1, with automatic jet cleaning needle.

Order No.	DU 1
9820031	1 pc.



## TECEprofil mounting set for TECE modules

Order No.	DU 1
9820054	1 pc.



## TECEprofil seal sleeve for wall disk

Order No.	DU 1
9820125	1 pc.



## TECEprofil end cap with rubber overlay for section tube

Order No.	DU 1
9820128	1 pc.



## TECEprofil seal for flush pipe connection

Order No.	DU 1
9820213	1 pc.



**TECEprofil flush pipe connection 20 cm**

PP flush pipe connection for wall-mounted toilets.

<b>Order No.</b>	<b>DU 1</b>
9820246	1 pc.



**TECEprofil toilet mounting set**

<b>Order No.</b>	<b>DU 1</b>
9820245	1 pc.



**TECE filling valve F 10 universal**

Universal filling valve for installation in all TECE cisterns as well as almost all standard concealed and wall-mounted cisterns from other manufacturers.

Product details:

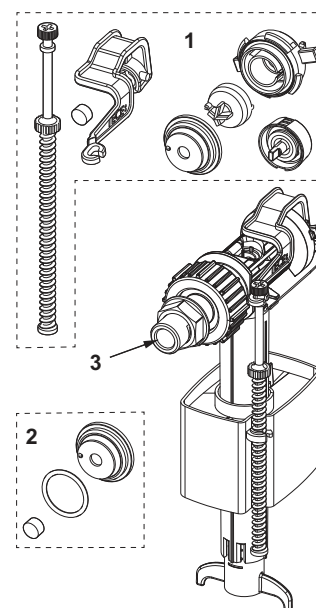
- 3/8" metal connection thread
- Flow pressure 0.1-10 bar
- Minimum flow pressure 0.5 bar
- Adjustable fill height
- Adjustable outflow pipe
- Low-noise in accordance with acoustic group I (DIN 4109)
- Compact design
- Incl. adapter and attachment nut



<b>Order No.</b>	<b>DU 1</b>	<b>DU 2</b>	<b>DU 3</b>
9820353	1 pc.	10 pc.	240 pc.

**9820353 – TECE filling valve F 10 universal**

Pos.	Order No.	Designation	DU 1
1	9820382	Filling valve F 10 valve lever set	1 pc.
2	9820383	Filling valve F 10 sealing kit	1 pc.
3	9820398	Filling valve F 10 threaded connection 3/8"	1 pc.









Drainage Systems

# TECEdrainprofile SHOWER PROFILE

ASSORTMENT LIST 2019



	Page
Shower profiles	196
Drains	197
Accessories	199
Spare parts	201

# TECEDrainprofile – Shower profiles

## TECEDrainprofile shower profile

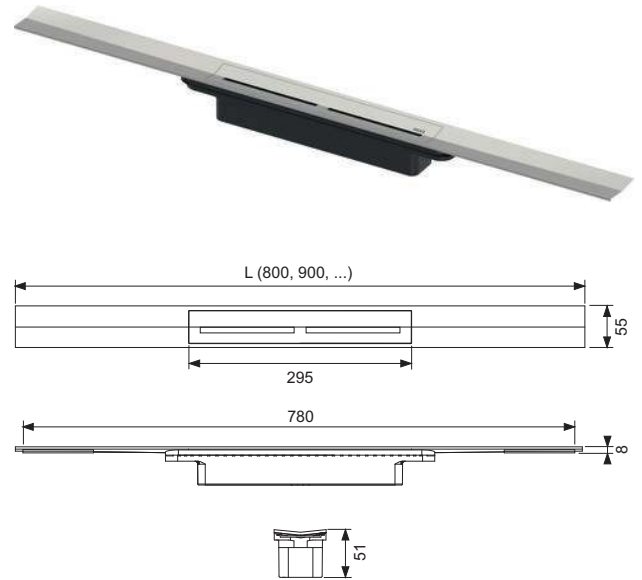
Shower profile for shower drainage, for installation in tile adhesive above the screed and seal.

Consisting of:

- Shower profile that can be cut to length made of stainless steel, with internal incline for improved water drainage and self-cleaning effect, material 1.4301 (304)
- Shower profile can be shortened to  $\geq 500$  mm
- Profile lid made of stainless steel, with "Push Function" for removal by hand, material 1.4301 (304)
- Connection pieces for connection with a TECEDrainprofile drain
- Grip elements for easy installation and solid connection with the tile adhesive
- For floors from 8-25 mm (incl. adhesive bed)
- For flush to the wall installation for wall coverings from 10 mm (incl. adhesive bed)
- For installation at the wall (flush to the wall) or at any specific distance from the wall

Please order separately:

- TECEDrainprofile drain



L	Width	Surface	Order No.	DU 1
800 mm	55 mm	brushed	670800	1 pc.
800 mm	55 mm	polished	670810	1 pc.
900 mm	55 mm	brushed	670900	1 pc.
900 mm	55 mm	polished	670910	1 pc.
1000 mm	55 mm	brushed	671000	1 pc.
1000 mm	55 mm	polished	671010	1 pc.
1200 mm	55 mm	brushed	671200	1 pc.
1200 mm	55 mm	polished	671210	1 pc.

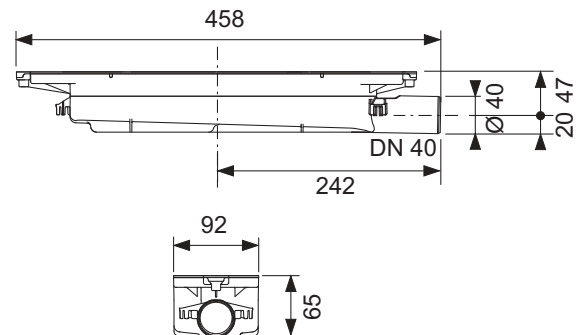
## TECEdrainprofile drain "flat", DN 40 side drain

Drain for TECEdrainprofile shower profile, for installing in screed, for connection to the side of a DN 40 drain pipe. With factory fitted and clickable Seal System sealing sleeve, to create a DIN 18534 compliant connection of the composite seal

- min. Installation height 65 mm (bottom edge of drain to upper edge of screed)
- Drainage capacity  $\geq 0.46/\geq 0.53$  l/s (to DIN EN 1253 with 10/20 mm build-up above the profile lid)
- Sealing water height 30 mm
- Removable odour trap
- Integrated screed anchor
- Factory fitted, clickable and flexible sealing sleeve with Seal System
- Fits prefabricated sound insulation strips
- Protective construction cover
- Sliding/mobile seal for connection with TECEdrainprofile shower profile and to compensate structural tolerances

### Please order separately:

- Assembly feet (optional)
- Drainbase sound insulation mat (optional)



Order No.	DU 1
673001	1 pc.



# TECEdrainprofile – Drains

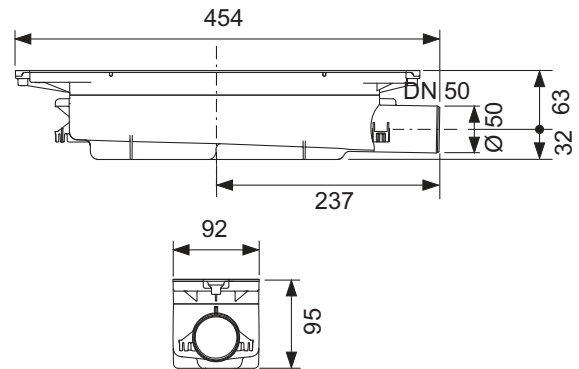
## TECEdrainprofile drain "standard", DN 50 side drain

Drain for TECEdrainprofile shower profile, for installing in screed, for connection to the side of a DN 50 drain pipe. With factory fitted and clickable Seal System sealing sleeve, to create a DIN 18534 compliant connection of the composite seal

- min. Installation height 95 mm (bottom edge of drain to upper edge of screed)
- Drainage capacity  $\geq 0.6/\geq 0.8$  l/s (to DIN EN 1253 with 10/20 mm build-up above the profile lid)
- Sealing water height 50 mm
- Removable odour trap
- Integrated screed anchor
- Factory fitted, clickable and flexible sealing sleeve with Seal System
- Fits prefabricated sound insulation strips
- Protective construction cover
- Sliding/mobile seal for connection with TECEdrainprofile shower profile and to compensate structural tolerances

### Please order separately:

- Assembly feet (optional)
- Drainbase sound insulation mat (optional)



Order No.

673002

DU 1

1 pc.

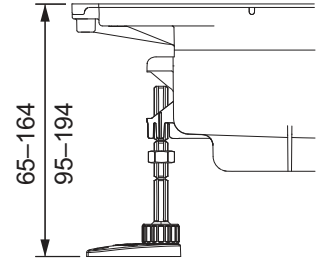


## TECEDrainprofile assembly feet

Assembly feet for TECEDrainpoint "standard" and "flat" drain to make it easy to adjust height and fix in position during the bare-wall installation stage. Adjustment range on "standard" pipe 95-194 mm, on "flat" pipe 65-164 mm (lower edge of feet to the upper edge of drain or screed)

Consisting of:

- 3 assembly feet incl. sound insulation cap and attachments



Order No.	DU 1	DU 2
674000	1 set	60 set

## TECEDrainprofile hair trap

**NEW**

Hair trap made of stainless steel for inserting into the TECEDrainprofile shower profile. With "push function" for easy removal by hand. One set (consisting of two hair traps) is required for one shower profile.



Order No.	DU 1
674002	1 set

## Drainbase sound insulation mat for TECEDrainprofile, TECEDrainline and TECEDrainpoint S

Sound insulation mat for fitting under floating screed in the area of floor-level showers or throughout the bathroom. To reduce plumbing noises and impact sounds and for impact sound insulation for renovations and new buildings. Installation noise level with normal shower setting: 22 dB(A) with shower channel TECEDrainline. Made from recycled high-tensile rubber granules bound with PUR elastomer. Meets enhanced sound insulation requirements to DIN 4109, issued 2001-01 and the highest sound protection level SSt III to VDI 4100, issued 2012-10 (sound test verification available from Fraunhofer IBP on request).

- Form of delivery: 1.25 m x 1.25 m x 6 mm
- Fire class: B2 (DIN 4102)
- Thermal resistance: 0.05 (m<sup>2</sup>K)/W
- Compression at 15 t/m<sup>2</sup>: 0.6 mm
- Impact sound reduction: ΔL<sub>w</sub> = 20 dB(A) (with 50 mm screed)



Order No.	DU 1	DU 2
660001	1 pc.	16 pc.

## TECEdrainprofile – Accessories

### Drainbase sound insulation mat (roll) for TECEdrainprofile, TECEdrainline and TECEdrainpoint S

Sound insulation mat for fitting under floating screed in the area of floor-level showers or throughout the bathroom. To reduce plumbing noises and provide impact sound insulation for renovations and new buildings.

Made from recycled high-tensile rubber granules bound with PUR elastomer. Meets enhanced sound insulation requirements for installation noise level according to DIN 4109, issued 2001-01 and the highest sound protection level SSt III according to VDI 4100, issued 2012-10 (sound test verification available from Fraunhofer IBP on request).

- Form of delivery: 8.0 m x 1.25 m x 6 mm (roll, approx. 50 kg)
- Fire class: B2 (DIN 4102)
- Thermal resistance: 0.05 (m<sup>2</sup>k)/W
- Compression at 15 t/m<sup>2</sup>: 0.6 mm
- Impact noise reduction:  $\Delta L_w = 20$  dB(A) (with 50 mm screed)



Order No.

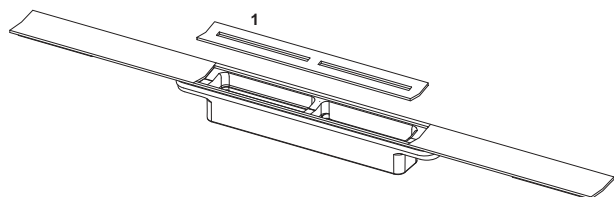
660002

DU 1

8 m

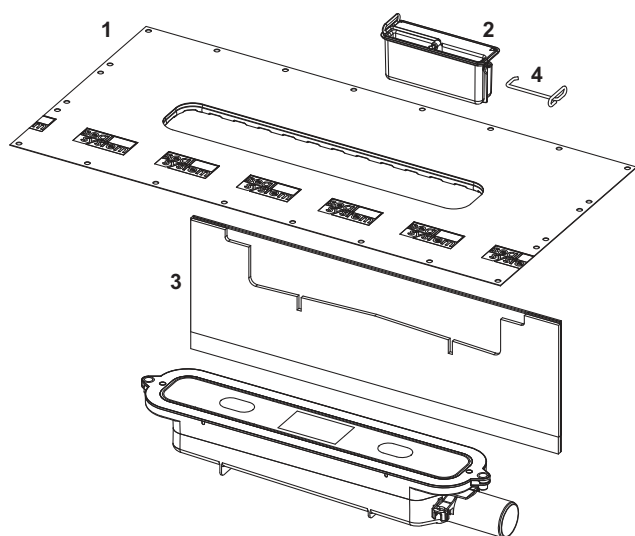


TECEdrainprofile shower profile



Pos.	Order No.	Designation	DU 1
1	675000	Profiled cover in stainless steel, brushed	1 pc.
	675001	Profiled cover in stainless steel, polished	1 pc.

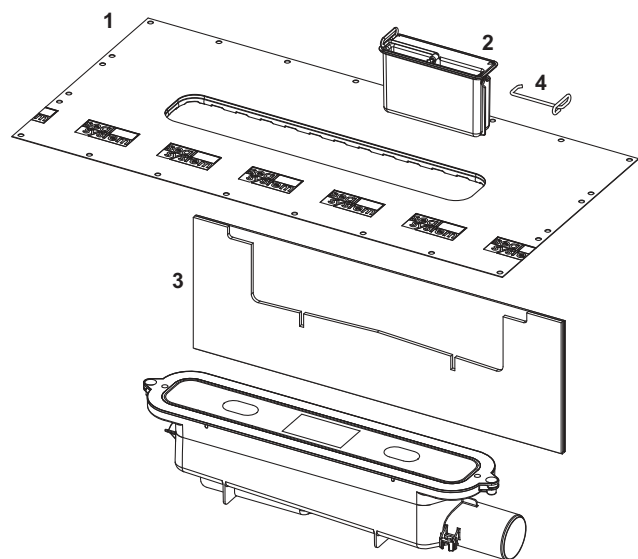
TECEdrainprofile drain "flat", DN 40 side drain



Pos.	Order No.	Designation	DU 1
1	675005	click-together Seal System sealing sleeve	1 pc.
2	675006	Odour trap for "flat" drain	1 pc.
3	675004	Sound insulation strips for "standard" and "flat" drain	1 pc.
4	675009	Removal hook for odour trap	<b>NEW</b> 1 pc.

# TECEdrainprofile – Spare parts

TECEdrainprofile drain "standard", DN 50 side drain



Pos.	Order No.	Designation	DU 1
1	675005	click-together Seal System sealing sleeve	1 pc.
2	675008	Odour trap for drain "standard"	1 pc.
3	675004	Sound insulation strips for "standard" and "flat" drain	1 pc.
4	675009	Removal hook for odour trap	<b>NEW</b> 1 pc.



Drainage Systems

# TECEdrainline SHOWER CHANNELS

ASSORTMENT LIST 2019



	Page
Shower channel straight	206
Design covers, straight	211
Angled channel	216
Design covers for angled channel	217
Channel for natural stone	218
Drains	219
Accessories	221
Spare parts	224

An overview of valid Declaration of Performance (DOP) is available on our website [www.tece.com](http://www.tece.com).

# TECEdrainline – Shower channel straight

## TECEdrainline-Evo shower channel\*

**NEW**

Straight stainless steel channel body, includes factory fitted Seal System sealing sleeve with protective cover for installation in screed, for creating a DIN 18534 compliant connection of the TECEdrainline shower channel to the composite seal.

Consisting of:

- Continuous closed shower channel made of polished stainless steel, material 1.4301 (304)
- Anti-capillary edge for avoiding water penetrating under the tiles via capillary action
- Anti-backflow secondary drainage via the glass fibre-reinforced plastic hard shell
- Factory fitted Seal System sealing sleeve for on-site installation in the liquid or strip composite seal
- Protective cover with tamper-proof seal for stainless steel channels and Seal System sealing collar
- Recess for mounting optional assembly feet and for anchoring in the screed
- Central channel support for connecting the drain
- Internal gradient for improved water drainage and self-cleaning effect
- Immersion pipe seal
- optional secondary drainage

Length in unfinished state incl. flange = 693, 793, ... mm

Visible length after installation = 651, 751, ... mm

Width in unfinished state incl. flange = 111 mm

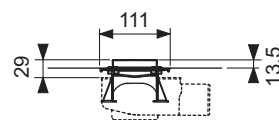
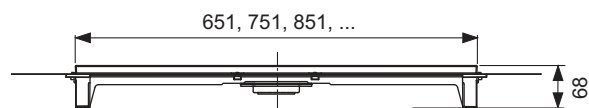
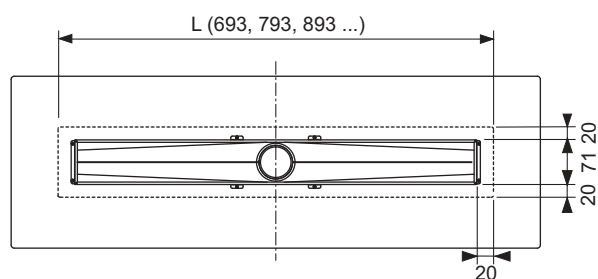
Visible width after installation = 71 mm

Installation height to upper edge of finished floor level (depending on drain):

- 68 mm drain "vertical"
- 70 mm drain "extra-flat"
- 96 mm drain "flat"
- 121 mm drain "standard"
- 149 mm drain "max"

Please order separately:

- Design grate or tileable channel
- drain
- assembly feet (optional)
- Drainbase sound insulation mat (optional), for adhering to the installation sound level as per DIN 4109 and the VDI 4100 sound protection level (SSt) I to III



Nominal length	Total length L	Visible dim. after installation	Order No.		DU 1	DU 2
700 mm	693 mm	651 mm	600702**	NEW	1 pc.	56 pc.
800 mm	793 mm	751 mm	600802**	NEW	1 pc.	56 pc.
900 mm	893 mm	851 mm	600902**	NEW	1 pc.	56 pc.
1000 mm	993 mm	951 mm	601002**	NEW	1 pc.	56 pc.
1200 mm	1193 mm	1151 mm	601202**	NEW	1 pc.	56 pc.

## TECEdrainline-Evo shower channel with wall tile support\*

**NEW**

Straight stainless steel channel body, includes factory fitted Seal System sealing sleeve with protective cover for installation at the wall in screed, for creating a DIN 18534 compliant connection of the TECEdrainline shower channel to the composite seal.

Consisting of:

- Continuous closed shower channel made of polished stainless steel, material 1.4301 (304) with wall tile support surface
- Anti-capillary edge for avoiding water penetrating under the tiles via capillary action
- Anti-backflow secondary drainage via the glass fibre-reinforced plastic hard shell
- Factory fitted Seal System sealing sleeve for on-site installation in the liquid or strip composite seal
- Protective cover with tamper-proof seal for stainless steel channels and Seal System sealing collar
- Recess for mounting optional assembly feet and for anchoring in the screed
- Central channel support for connecting the drain
- Internal gradient for improved water drainage and self-cleaning effect
- Sound insulation strips
- Immersion pipe seal
- optional secondary drainage

Length in unfinished state incl. flange = 693, 793, ... mm

Visible length after installation = 651, 751, ... mm

Width in unfinished state incl. flange = 111 mm

Visible width after installation = 84.5 mm

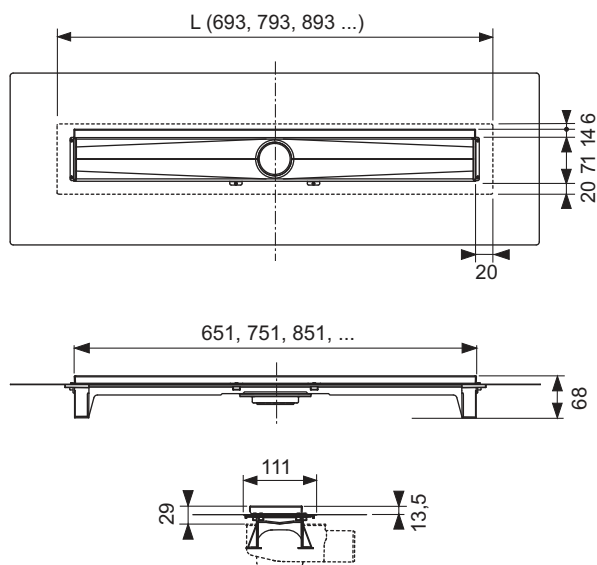
Installation height to upper edge of finished floor (depending on drain):

- 68 mm drain "vertical"
- 70 mm drain "extra-flat"
- 96 mm drain "flat"
- 121 mm drain "standard"

**Caution: Not compatible with the drain "max" .**

**Please order separately:**

- Design grate or tileable channel
- Drain
- Assembly feet (optional)
- Drainbase sound insulation mat (optional), for adherence to installation noise level according to DIN 4109 and VDI 4100 sound protection level (SSt) I to III



Nominal length	Total length L	Visible dim. after installation	Order No.		DU 1	DU 2
700 mm	693 mm	651 mm	600703**	NEW	1 pc.	56 pc.
800 mm	793 mm	751 mm	600803**	NEW	1 pc.	56 pc.
900 mm	893 mm	851 mm	600903**	NEW	1 pc.	56 pc.
1000 mm	993 mm	951 mm	601003**	NEW	1 pc.	56 pc.
1200 mm	1193 mm	1151 mm	601203**	NEW	1 pc.	56 pc.

# TECEdrainline – Shower channel straight

## TECEdrainline shower channel, straight, with Seal System sealing tape\*

Straight channel body for installation in the screed, with flange and Seal System sealing tape, for creating an independently tested connection of the TECEdrainline shower channel to the composite seal.

Consisting of:

- Channel body with flange made of polished stainless steel, material 1.4301 (304)
- Seal System sealing tape with matting for installation by the customer in the liquid or strip composite seal
- Connecting clips for anchoring in the screed and fitting of optional assembly feet
- Central connection pieces for drain
- Internal incline for improved water drainage and self-cleaning effect
- Seal

Length in unfinished state incl. flange = 711, 811, ... mm

Visible length after installation = 651, 751, ... mm

Width in unfinished state incl. flange = 150 mm

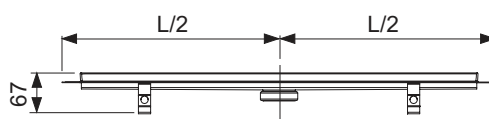
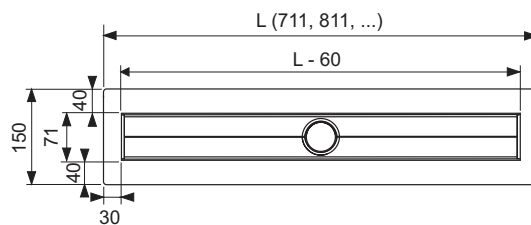
Visible width after installation = 71 mm

Installation height to upper edge of finished floor level (depending on drain):

- 67 mm drain "vertical"
- 68.5 mm drain "extra-flat"
- 95 mm drain "flat"
- 120 mm drain "standard"
- 148 mm drain "max"

Please order separately:

- Design grate or tileable channel
- Drain
- Assembly feet (optional)
- Drainbase sound insulation mat (optional), for adhering to the installation sound level as per DIN 4109 and the VDI 4100 sound protection levels (SSt) I to III



Nominal length	Total length L	Visible dim. after installation	Order No.	DU 1	DU 2
700 mm	711 mm	651 mm	600700	1 pc.	40 pc.
800 mm	811 mm	751 mm	600800	1 pc.	40 pc.
900 mm	911 mm	851 mm	600900	1 pc.	40 pc.
1000 mm	1011 mm	951 mm	601000	1 pc.	40 pc.
1200 mm	1211 mm	1151 mm	601200	1 pc.	20 pc.
1500 mm	1511 mm	1451 mm	601500	1 pc.	20 pc.

### Custom lengths, exclusive designs

We will be happy to produce custom lengths or a grate design to suit your own specifications. You will find the corresponding order form as a download on our website and in our product database. We will advise you of the costs when you submit your enquiry. The delivery time is about four to six weeks after approval and clarification of all details. Custom lengths and custom finishes cannot be cancelled after approval is given, and cannot be returned.

Maximum length to order 1500 mm.



## TECEdrainline shower channel, straight, with wall upstand and Seal System sealing tape\*

Straight channel body with wall upstand for installation in the screed against the wall, with flange and Seal System sealing tape, for creating an independently tested connection of the TECEdrainline shower channel to the composite seal.

Consisting of:

- Channel body with flange made of polished stainless steel, material 1.4301 (304)
- Seal System sealing tape with matting for installation by the customer in the liquid or strip composite seal
- Connecting clips for anchoring in the screed and fitting of optional assembly feet
- Central connection piece for drain
- Internal incline for improved water drainage and self-cleaning effect
- Seal

Length in unfinished state incl. flange = 711, 811, ... mm

Visible length after installation = 651, 751, ... mm

Width in unfinished state incl. flange = 124 mm

Visible width after installation = 69 mm

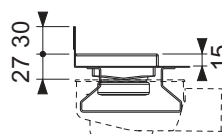
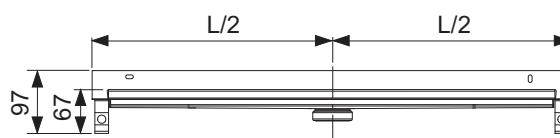
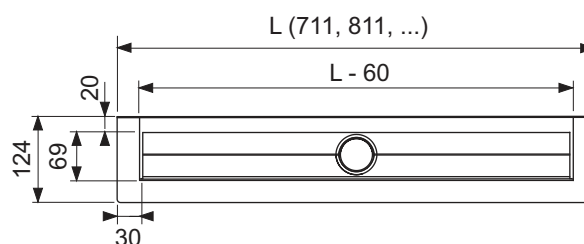
Installation height to upper edge of finished floor (depending on drain):

- 67 mm "vertical" drain
- 68.5 mm "extra-flat" drain
- 95 mm "flat" drain
- 120 mm "standard" drain

**Caution: Not compatible with the "max" drain!**

Please order separately:

- Design grate or tileable channel
- Drain
- Assembly feet (optional)
- Drainbase sound insulation mat (optional), for adherence to installation noise level according to DIN 4109 and VDI 4100 sound protection levels (SSt) I to III



Nominal length	Total length L	Visible dim. after installation	Order No.	DU 1	DU 2
700 mm	711 mm	651 mm	600701	1 pc.	32 pc.
800 mm	811 mm	751 mm	600801	1 pc.	32 pc.
900 mm	911 mm	851 mm	600901	1 pc.	32 pc.
1000 mm	1011 mm	951 mm	601001	1 pc.	32 pc.
1200 mm	1211 mm	1151 mm	601201	1 pc.	16 pc.
1500 mm	1511 mm	1451 mm	601501	1 pc.	16 pc.

### Custom lengths, exclusive designs

We will be happy to produce custom lengths or a grate design to suit your own specifications. You will find the corresponding order form as a download on our website and in our product database. We will advise you of the costs when you submit your enquiry. The delivery time is about four to six weeks after approval and clarification of all details. Custom lengths and custom finishes cannot be cancelled after approval is given, and cannot be returned.

Maximum length to order 1500 mm.

# TECEdrainline – Shower channel straight

## TECEdrainline shower channel, straight, with factory fitted Seal System sealing sleeve\*

Straight channel body for installation in the screed, with flange and factory fitted Seal System sealing sleeve, for creating a DIN 18534 compliant connection of the TECEdrainline shower channel to the composite seal.

Consisting of:

- Channel body with flange made of polished stainless steel, material 1.4301 (304)
- Factory fitted Seal System sealing collar with matting for installation by the customer in the liquid or strip composite seal
- Connecting clips for anchoring in the screed and fitting of optional assembly feet
- Central connection piece for drain
- Internal incline for improved water drainage and self-cleaning effect
- Seal

Length in unfinished state incl. flange = 681, 781, ... mm

Visible length after installation = 651, 751, ... mm

Width in unfinished state incl. flange = 101 mm

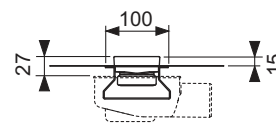
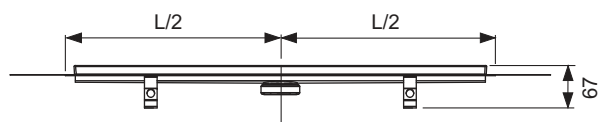
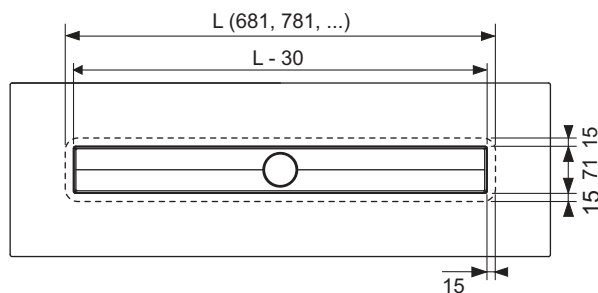
Visible width after installation = 71 mm

Installation height to upper edge of finished floor level (depending on drain):

- 67 mm drain "vertical"
- 68.5 mm drain "extra-flat"
- 95 mm drain "flat"
- 120 mm drain "standard"
- 148 mm drain "max"

Please order separately:

- Design grate or tileable channel
- Drain
- Assembly feet (optional)
- Drainbase sound insulation mat (optional), for adhering to the installation sound level as per DIN 4109 and the VDI 4100 sound protection levels (SSt) I to III



Nominal length	Total length L	Visible dim. after installation	Order No.	DU 1
700 mm	681 mm	651 mm	600704	1 pc.
800 mm	781 mm	751 mm	600804	1 pc.
900 mm	881 mm	851 mm	600904	1 pc.
1000 mm	981 mm	951 mm	601004	1 pc.
1200 mm	1181 mm	1151 mm	601204	1 pc.
1500 mm	1481 mm	1451 mm	601504	1 pc.

## TECEdrainline tileable channel "plate II", for shower channel, straight

Tileable channel for TECEdrainline shower channel, for fitting into the channel body, made of stainless steel. Maximum test load 300 kg based on load class K3. Tiles can be attached by the customer using elastic adhesive, e.g. silicon or epoxy resin adhesive.

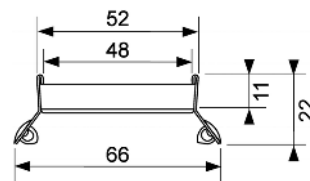
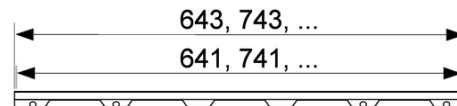
**Caution:**

Check the adhesive to ensure tile compatibility!

Nominal length	Surface	Order No.	DU 1
700 mm	polished	600772	1 pc.
800 mm	polished	600872	1 pc.
900 mm	polished	600972	1 pc.
1000 mm	polished	601072	1 pc.
1200 mm	polished	601272	1 pc.
1500 mm	polished	601572	1 pc.



Design "plate II"



## TECEdrainline tileable channel "plate", for shower channel, straight

Tileable channel for TECEdrainline shower channel, for fitting into the channel body, made of stainless steel with polished visible edges. Maximum test load 300 kg based on load class K3. Tiles can be attached by the customer using elastic adhesive, e.g. silicon or epoxy resin adhesive.

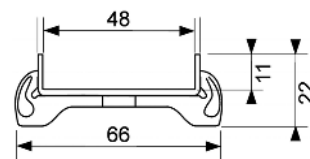
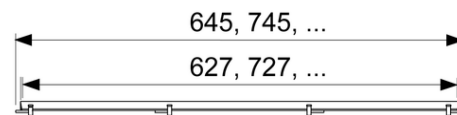
**Caution:**

Check the adhesive to ensure tile compatibility!

Nominal length	Surface	Order No.	DU 1
700 mm	polished	600770	1 pc.
800 mm	polished	600870	1 pc.
900 mm	polished	600970	1 pc.
1000 mm	polished	601070	1 pc.
1200 mm	polished	601270	1 pc.
1500 mm	polished	601570	1 pc.



Design "plate"



# TECEdrainline – Design covers, straight

## TECEdrainline glass cover for shower channel, straight

Design grate for TECEdrainline shower channel, made of stainless steel with a glass surface, for fitting into the channel body. Maximum test load 300 kg based on load class K3, three different colour designs.

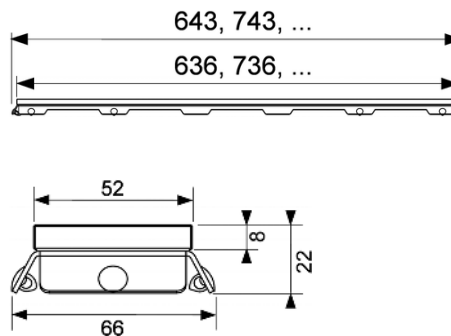
**Note:**

Production of custom lengths not possible!

Nominal length	Surface	Order No.	DU 1
700 mm	Green glass	600790	1 pc.
700 mm	White glass	600791	1 pc.
700 mm	Black glass	600792	1 pc.
800 mm	Green glass	600890	1 pc.
800 mm	White glass	600891	1 pc.
800 mm	Black glass	600892	1 pc.
900 mm	Green glass	600990	1 pc.
900 mm	White glass	600991	1 pc.
900 mm	Black glass	600992	1 pc.
1000 mm	Green glass	601090	1 pc.
1000 mm	White glass	601091	1 pc.
1000 mm	Black glass	601092	1 pc.
1200 mm	Green glass	601290	1 pc.
1200 mm	White glass	601291	1 pc.
1200 mm	Black glass	601292	1 pc.
1500 mm	Green glass	601590	1 pc.
1500 mm	White glass	601591	1 pc.
1500 mm	Black glass	601592	1 pc.



Design "glass"



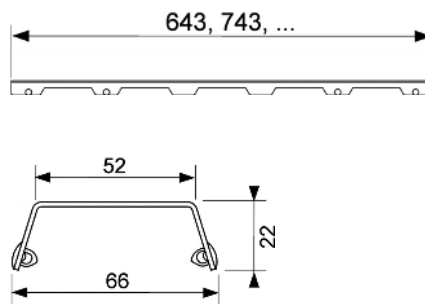
## TECEdrainline design grate "steel II" polished or brushed stainless steel for shower channel, straight

Design grate for TECEdrainline shower channel (straight), made of polished or brushed stainless steel, for fitting into the channel body, load capacity based on load class K3 – test load 300 kg.

Nominal length	Surface	Order No.	DU 1
700 mm	polished	600782	1 pc.
700 mm	brushed	600783	1 pc.
800 mm	polished	600882	1 pc.
800 mm	brushed	600883	1 pc.
900 mm	polished	600982	1 pc.
900 mm	brushed	600983	1 pc.
1000 mm	polished	601082	1 pc.
1000 mm	brushed	601083	1 pc.
1200 mm	polished	601282	1 pc.
1200 mm	brushed	601283	1 pc.
1500 mm	polished	601582	1 pc.
1500 mm	brushed	601583	1 pc.



Design "steel II"



TECEdrainline

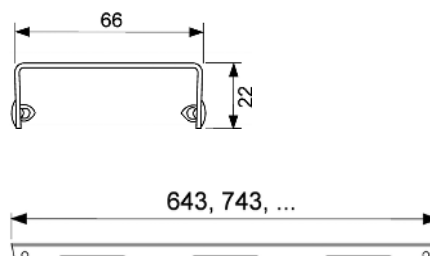
## TECEdrainline design grate "basic" polished or brushed stainless steel for shower channel, straight

Design grate for TECEdrainline shower channel (straight), made of polished or brushed stainless steel, for fitting into the channel body, load capacity based on load class K3 – test load 300 kg.

Nominal length	Surface	Order No.	DU 1
700 mm	polished	600710	1 pc.
700 mm	brushed	600711	1 pc.
800 mm	polished	600810	1 pc.
800 mm	brushed	600811	1 pc.
900 mm	polished	600910	1 pc.
900 mm	brushed	600911	1 pc.
1000 mm	polished	601010	1 pc.
1000 mm	brushed	601011	1 pc.
1200 mm	polished	601210	1 pc.
1200 mm	brushed	601211	1 pc.
1500 mm	polished	601510	1 pc.
1500 mm	brushed	601511	1 pc.



Design "basic"



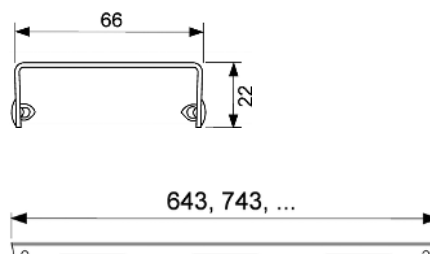
## TECEdrainline design grate "lines" polished or brushed stainless steel for shower channel, straight

Design grate for TECEdrainline shower channel (straight), made of polished or brushed stainless steel, for fitting into the channel body, load capacity based on load class K3 – test load 300 kg.

Nominal length	Surface	Order No.	DU 1
700 mm	polished	600720	1 pc.
700 mm	brushed	600721	1 pc.
800 mm	polished	600820	1 pc.
800 mm	brushed	600821	1 pc.
900 mm	polished	600920	1 pc.
900 mm	brushed	600921	1 pc.
1000 mm	polished	601020	1 pc.
1000 mm	brushed	601021	1 pc.
1200 mm	polished	601220	1 pc.
1200 mm	brushed	601221	1 pc.
1500 mm	polished	601520	1 pc.
1500 mm	brushed	601521	1 pc.



Design "lines"



# TECEdrainline – Design covers, straight

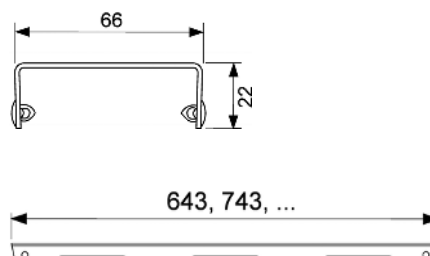
## TECEdrainline design grate "drops" polished or brushed stainless steel for shower channel, straight

Design grate for TECEdrainline shower channel (straight), made of polished or brushed stainless steel, for fitting into the channel body, load capacity based on load class K3 – test load 300 kg.

Nominal length	Surface	Order No.	DU 1
700 mm	polished	600730	1 pc.
700 mm	brushed	600731	1 pc.
800 mm	polished	600830	1 pc.
800 mm	brushed	600831	1 pc.
900 mm	polished	600930	1 pc.
900 mm	brushed	600931	1 pc.
1000 mm	polished	601030	1 pc.
1000 mm	brushed	601031	1 pc.
1200 mm	polished	601230	1 pc.
1200 mm	brushed	601231	1 pc.
1500 mm	polished	601530	1 pc.
1500 mm	brushed	601531	1 pc.



Design "drops"



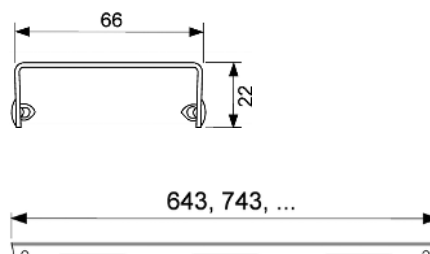
## TECEdrainline design grate "royal" polished or brushed stainless steel for shower channel, straight

Design grate for TECEdrainline shower channel (straight), made of polished or brushed stainless steel, for fitting into the channel body, load capacity based on load class K3 – test load 300 kg.

Nominal length	Surface	Order No.	DU 1
700 mm	polished	600740	1 pc.
700 mm	brushed	600741	1 pc.
800 mm	polished	600840	1 pc.
800 mm	brushed	600841	1 pc.
900 mm	polished	600940	1 pc.
900 mm	brushed	600941	1 pc.
1000 mm	polished	601040	1 pc.
1000 mm	brushed	601041	1 pc.
1200 mm	polished	601240	1 pc.
1200 mm	brushed	601241	1 pc.
1500 mm	polished	601540	1 pc.
1500 mm	brushed	601541	1 pc.



Design "royal"



## TECEdrainline design grate "quadratum" polished or brushed stainless steel for shower channel, straight

Design grate for TECEdrainline shower channel (straight) made of polished stainless steel/brushed stainless steel for fitting into the channel body, load class K3 – test load 300 kg.

Maximum slip resistance for wet loaded barefoot areas, Class C to DIN 51097 (for brushed surface).

Nominal length	Surface	Order No.	DU 1
700 mm	polished	600750	1 pc.
700 mm	brushed	600751	1 pc.
800 mm	polished	600850	1 pc.
800 mm	brushed	600851	1 pc.
900 mm	polished	600950	1 pc.
900 mm	brushed	600951	1 pc.
1000 mm	polished	601050	1 pc.
1000 mm	brushed	601051	1 pc.
1200 mm	polished	601250	1 pc.
1200 mm	brushed	601251	1 pc.
1500 mm	polished	601550	1 pc.
1500 mm	brushed	601551	1 pc.

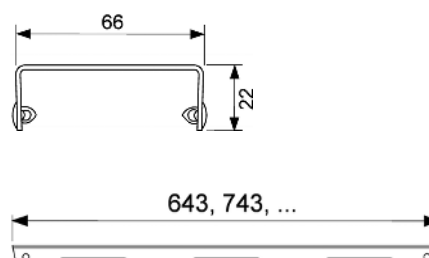
## TECEdrainline design grate "organic" polished or brushed stainless steel for shower channel, straight

Design grate for TECEdrainline shower channel (straight), made of polished or brushed stainless steel, for fitting into the channel body, load capacity based on load class K3 – test load 300 kg.

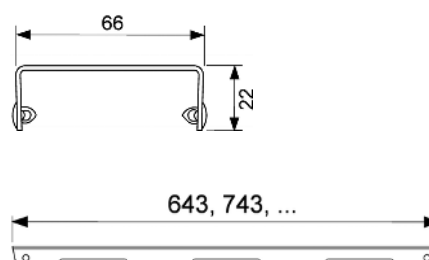
Nominal length	Surface	Order No.	DU 1
700 mm	polished	600760	1 pc.
700 mm	brushed	600761	1 pc.
800 mm	polished	600860	1 pc.
800 mm	brushed	600861	1 pc.
900 mm	polished	600960	1 pc.
900 mm	brushed	600961	1 pc.
1000 mm	polished	601060	1 pc.
1000 mm	brushed	601061	1 pc.
1200 mm	polished	601260	1 pc.
1200 mm	brushed	601261	1 pc.
1500 mm	polished	601560	1 pc.
1500 mm	brushed	601561	1 pc.



Design "quadratum"



Design "organic"



# TECEdrainline – Angled channel

## TECEdrainline angled channel with Seal System sealing tape\*

Channel body with 90° angled version for installation in the screed, with flange and Seal System sealing tape for creating an independently tested connection of the TECEdrainline shower channel to the composite seal.

Consisting of:

- Channel body with flange made of polished stainless steel, material 1.4301 (304)
- Seal System sealing tape with matting for installation by the customer in the liquid or strip composite seal
- Connecting clips for anchoring in the screed and fitting of optional assembly feet
- Two connection pieces for drains
- Internal incline for improved water drainage and self-cleaning effect
- Seals

Length in unfinished state incl. flange = 946 x 946, 1046 x 1046, ... mm

Visible length after installation = 878 x 878, 978 x 978, ... mm

Width in unfinished state incl. flange = 156 mm

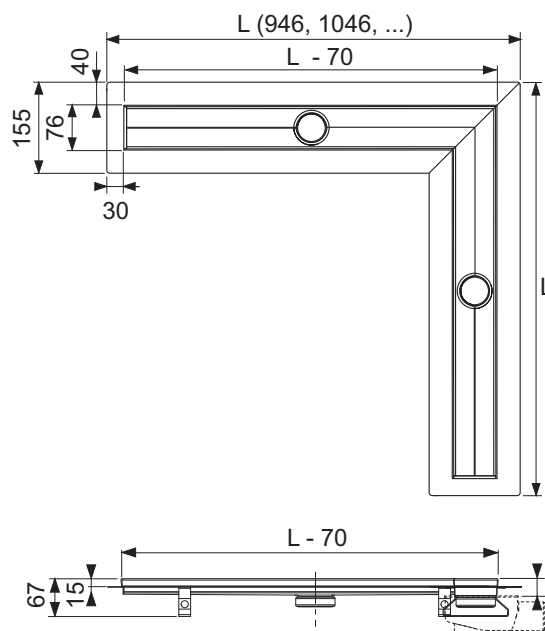
Visible width after installation = 76 mm

Installation height to upper edge of finished floor (depending on drain):

- 67 mm "vertical" drain
- 68.5 mm "extra-flat" drain
- 95 mm "flat" drain
- 120 mm "standard" drain
- 148 mm "max" drain

Please order separately:

- Design grate or tileable channel
- 2 drain assembly
- 2 sets assembly feet (optional)
- Drainbase sound insulation mat (optional), for adherence to installation noise level according to DIN 4109 and VDI 4100 sound protection levels (SSt) I to III



Nominal length	Total length L	Visible dim. after installation L - 70 mm	Order No.	DU 1	DU 2
900 x 900 mm	946 x 946 mm	878 x 878 mm	610900**	1 pc.	9 pc.
1000 x 1000 mm	1046 x 1046 mm	978 x 978 mm	611000**	1 pc.	9 pc.
1200 x 1200 mm	1246 x 1246 mm	1178 x 1178 mm	611200**	1 pc.	9 pc.

### Custom lengths, exclusive designs

We will be happy to produce custom lengths or a grate design to suit your own specifications. You will find the corresponding order form as a download on our website and in our product database. We will advise you of the costs when you submit your enquiry. The delivery time is about four to six weeks after approval and clarification of all details. Custom lengths and custom finishes cannot be cancelled after approval is given, and cannot be returned.

Maximum length to order 1500 mm.



## TECEdrainline tileable channel "plate", for 90° angled channel

Tileable channel for TECEdrainline shower channel, for fitting into the channel body, made of stainless steel with polished visible edges. Maximum test load 300 kg based on load class K3. Tiles can be attached by the customer using elastic adhesive, e.g. silicon or epoxy resin adhesive.

### Caution:

Check the adhesive to ensure tile compatibility!  
Design version = "plate", in two parts.

Nominal length	Surface	Order No.	DU 1
900 x 900 mm	polished	610970*	1 pc.
1000 x 1000 mm	polished	611070*	1 pc.
1200 x 1200 mm	polished	611270*	1 pc.



Design "plate"

## TECEdrainline design grate "steel II", polished stainless steel for 90° angled shower channel

Design grate for TECEdrainline shower channel, 90° angled version, made of polished stainless steel, for fitting into the channel body, load capacity based on load class K3 – test load 300 kg, in two parts.

Brushed grates available on request!

Nominal length	Surface	Order No.	DU 1
900 x 900 mm	polished	610982*	1 pc.
1000 x 1000 mm	polished	611082*	1 pc.
1200 x 1200 mm	polished	611282*	1 pc.



Design "steel II"

## TECEdrainline design grate "basic", polished stainless steel for 90° angled shower channel

Design grate for TECEdrainline shower channel, 90° angled version, made of polished stainless steel, for fitting into the channel body, load capacity based on load class K3 – test load 300 kg, in two parts.

Brushed grates available on request!

Nominal length	Surface	Order No.	DU 1
900 x 900 mm	polished	610910*	1 pc.
1000 x 1000 mm	polished	611010*	1 pc.
1200 x 1200 mm	polished	611210*	1 pc.



Design "basic"

# TECEdrainline – Channel for natural stone

## TECEdrainline shower channel for natural stone, straight, with Seal System sealing set and stainless steel support as a set\*

Straight channel body and support sheet for TECEdrainline shower channel, for installation in the screed and laying by the customer of large tiles/natural stone slabs, with flange and Seal System sealing tape, for creating an independently tested connection of the TECEdrainline shower channel to the composite seal.

Consisting of:

- Channel body with flange made of polished stainless steel, material 1.4301 (304)
- Seal System sealing tape with matting for installation by the customer in the liquid or strip composite seal
- Connecting clips for anchoring in the screed and fitting of optional assembly feet
- Central connection piece for drain
- Internal incline for improved water drainage and self-cleaning effect
- Support sheet made of stainless steel – material 1.4301 (304) – for fitting in the channel body
- Seals

Minimal installation height (without covering) to upper edge of channel:

- 52 mm "vertical" drain
- 61.5 mm "extra-flat" drain
- 87 mm "flat" drain
- 112 mm "standard" drain
- 140 mm "max" drain

Covering cut-out length x width: (L - 87 mm) x 68 mm

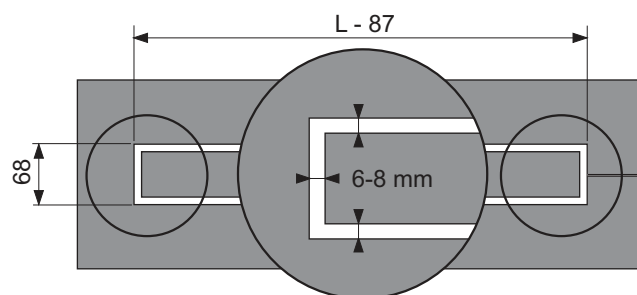
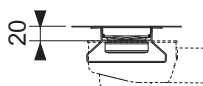
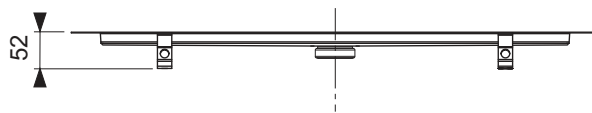
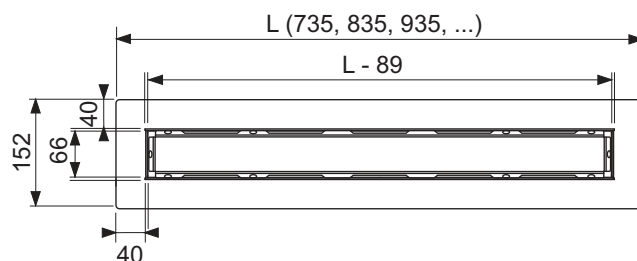
Width of the continuous surrounding drain opening: 6-8 mm

(see drawing on the right)

Please order separately:

- Drain
- Assembly feet (optional)
- Drainbase sound insulation mat (optional), for adherence to installation noise level according to DIN 4109 and VDI 4100 sound protection levels (SSt) I to III

**Note: Design grate "steel II" possible as custom-made grate; all other design covers (tileable channel, glass covers, design grates) are unsuitable!**



Nominal length	Total length L	Support sheet length L - 89	Covering cut-out length L - 87	Order No.	DU 1	DU 2
700 mm	735 mm	646 mm	648 mm	650700	1 pc.	40 pc.
800 mm	835 mm	746 mm	748 mm	650800	1 pc.	40 pc.
900 mm	935 mm	846 mm	848 mm	650900	1 pc.	40 pc.
1000 mm	1035 mm	946 mm	948 mm	651000	1 pc.	40 pc.
1200 mm	1235 mm	1146 mm	1148 mm	651200	1 pc.	20 pc.
1500 mm	1535 mm	1446 mm	1448 mm	651500**	1 pc.	20 pc.

### Custom lengths, exclusive designs

We will be happy to produce custom lengths or a grate design to suit your own specifications. You will find the corresponding order form as a download on our website and in our product database. We will advise you of the costs when you submit your enquiry. The delivery time is about four to six weeks after approval and clarification of all details. Custom lengths and custom finishes cannot be cancelled after approval is given, and cannot be returned.

Maximum length to order 1500 mm.

**TECEdrainline drain "extra-flat", DN 40 side drain**

Extra-low drain for TECEdrainline shower channel to create rotatable fitting with the channel body and side connection to DN 40 drain pipe, with removable siphon immersion pipe.

- Installation height from bottom edge of drain to upper edge of shower channel = 68.5 mm
- Reduced sealing water height = 30 mm

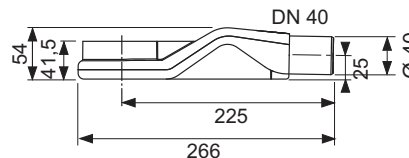
Drainage capacity to DIN EN 1253, with 10/20 mm build-up above grate:

- Design grate "basic": 0.5/0.6 l/s
- Design grate "steel II": 0.5/0.6 l/s
- Tileable channel "plate"/"plate II": 0.5/0.6 l/s

**Caution:**

Because of the low installation height, sufficient screed cover is not possible in the area of the drain. Therefore only use large tiles and reinforcement to prevent cracks.

Not suitable for wheelchairs!



Order No.	DU 1	DU 2
650004	1 pc.	320 pc.

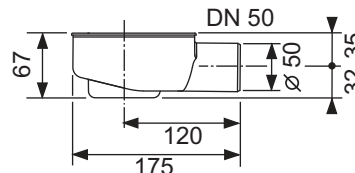
**TECEdrainline drain "flat", DN 50 side drain**

Drain for TECEdrainline shower channel to fit to the channel body, drain can be turned 360°, for lateral connection to DN 50 drain pipe, with removable siphon immersion pipe.

- Installation height from bottom edge of drain to upper edge of shower channel = 95 mm
- Reduced sealing water height = 25 mm

Drainage capacity to DIN EN 1253, with 10 mm/20 mm build-up above grate:

- Design grate "basic": 0.8/0.8 l/s
- Design grate "steel II": 0.7/0.8 l/s
- Tileable channel "plate"/"plate II": 0.7/0.8 l/s



Order No.	DU 1	DU 2
650000	1 pc.	270 pc.

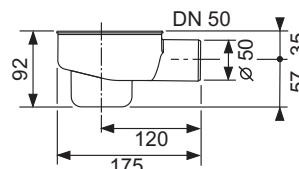
**TECEdrainline drain "standard", DN 50 side drain**

Drain for TECEdrainline shower channel to fit to the channel body, drain can be turned 360°, for lateral connection to DN 50 drain pipe, with removable siphon immersion pipe.

- installation height from bottom edge of drain to upper edge of shower channel = 120 mm
- Sealing water height = 50 mm, to DIN EN 1253

Drainage capacity to DIN EN 1253, with 10/20 mm build-up above grate:

- Design grate "basic": 0.8/0.9 l/s
- Design grate "steel II": 0.7/0.8 l/s
- Tileable channel "plate"/"plate II": 0.7/0.8 l/s



Order No.	DU 1	DU 2
650001	1 pc.	210 pc.

# TECEdrainline – Drains

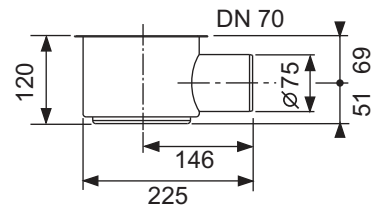
## TECEdrainline drain "max", DN 70 side drain

Drain for TECEdrainline shower channel to fit to the channel body, drain can be turned 360°, for lateral connection to DN 70 drain pipe, with removable siphon immersion pipe.

- Installation height from bottom edge of drain to upper edge of shower channel = 148 mm
- Sealing water height = 60 mm, to DIN EN 1253 > 50 mm

Drainage capacity to DIN EN 1253, with 10 mm/20 mm build-up above grate:

- Design grate "basic": 1.2/1.4 l/s
- Design grate "steel II": 1.2/1.3 l/s
- Tileable channel "plate"/"plate II": 1.1/1.2 l/s



Order No.	DU 1	DU 2
650002	1 pc.	75 pc.

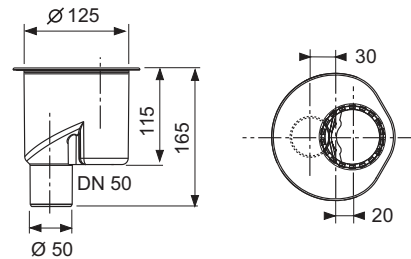
## TECEdrainline drain "vertical", DN 50

Vertical drain for the TECEdrainline shower channel to fit to the channel body, drain can be rotated 360°, for vertical connection to DN 50 drain pipe, with removable siphon immersion pipe

- Minimum installation height from upper edge of channel to lower edge of stirrup = 67 mm
- Sealing water height = 50 mm, to DIN EN 1253
- Core hole required = 130 mm

Drainage capacity to DIN EN 1253, with 10/20 mm build-up above grate:

- Design grate "basic": 1.3/1.3 l/s
- Design grate "steel II": 1.3/1.3 l/s
- Tileable channel "plate"/"plate II": 1.2/1.2 l/s



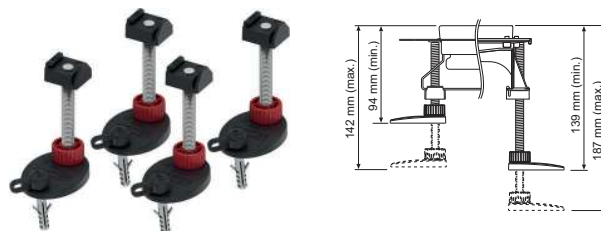
Order No.	DU 1	DU 2
650003	1 pc.	175 pc.

**TECEDrainline assembly feet**

Assembly feet to make it easy to adjust the height of the channel body and fix the position during shell assembly.

Consisting of:

- 4 x assembly feet incl. sound-proofing cap and mounting material



Version	Order No.	DU 1	DU 2
94-142 mm	660003	1 set	45 set
139-187 mm	660004	1 set	30 set

**TECEDrainline fire protection set FireStop EI 120 DN 50**

Fire protection set for direct vertical installation on the TECEDrainline DN 50 drain for highly fire resistant partitioning of ceiling bushings in solid ceilings for up to 120 minutes. Classification in accordance with DIN EN 13501 for fire resistance class EI 120, European technical approval (ETA-11/0437)

Set consists of:

- Fire protection sleeve, 2 cross-recessed screws, identification plate, 150 mm DN 50 PP-HT pipe to DIN EN 1451
- Required core drill hole:  $\varnothing$  130 mm ( $\varnothing$  min = 129 mm,  $\varnothing$  max = 133 mm)
- Application area: Solid ceilings from 150-325 mm ceiling thickness
- No grouting or filling of the gap is necessary.
- Compatible with all TECEDrainline channels and covers.



Order No.	DU 1
660006	1 pc.

**TECE PP-HT adapter on PVC drain pipes**

Adapter to connect TECEDrainline and TECEDrainpoint S drains to PVC waste water pipes.



Dimension	Order No.	DU 1	DU 2	DU 3
DN 40/DN 40	3690000	1 pc.	70 pc.	1120 pc.
DN 50/DN 40	3690001	1 pc.	70 pc.	1120 pc.
DN 50/DN 50	3690002	1 pc.	70 pc.	1120 pc.

**TECE adapter DN 50/2"**

Adapter to connect TECEDrainline, TECEDrainpoint S and TECEDrainprofile drains to 2" PVC waste water pipes in accordance with BS5255.



Order No.	DU 1	DU 2
669012	1 pc.	10 pc.

**TECEDrainline hair trap**

Hair trap made of stainless steel, for fitting into the TECEDrainline channel body.

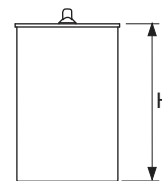


Order No.	DU 1	DU 2
660005	1 pc.	10 pc.

# TECEdrainline – Accessories

## Membrane odour trap for TECEdrainline drains

Plastic immersion pipe with inner sealing lip membrane as protection against evaporation, barrier against odour and vermin (two-stage trap effect through water seal and sealing lip membrane).



Version	H	Order No.	DU 1	DU 2
For "extra-flat" drain	24 mm	660015	1 pc.	150 pc.
For "flat" drain	45 mm	660016	1 pc.	100 pc.
For "max" and "vertical" drains	94 mm	660017	1 pc.	100 pc.
For "standard" drain	74 mm	660018	1 pc.	100 pc.

## Seal System sealing tape for TECEdrainline\*

Self-adhesive butyl sealing tape with matting for sealing TECEdrainline shower channels. For direct adhesion by the customer on the stainless steel flange of the shower channel. With matting for installation in the liquid or strip composite seal.



Roll width: 100 mm, roll length: 3.9 m

Order No.	DU 1	DU 2
660019	3.9 m	31.2 m

## Drainbase sound insulation mat for TECEdrainprofile, TECEdrainline and TECEdrainpoint S

Sound insulation mat for fitting under floating screed in the area of floor-level showers or throughout the bathroom. To reduce plumbing noises and impact sounds and for impact sound insulation for renovations and new buildings. Installation noise level with normal shower setting: 22 dB(A) with shower channel TECEdrainline. Made from recycled high-tensile rubber granules bound with PUR elastomer. Meets enhanced sound insulation requirements to DIN 4109, issued 2001-01 and the highest sound protection level SSt III to VDI 4100, issued 2012-10 (sound test verification available from Fraunhofer IBP on request).



- Form of delivery: 1.25 m x 1.25 m x 6 mm
- Fire class: B2 (DIN 4102)
- Thermal resistance: 0.05 (m<sup>2</sup>K)/W
- Compression at 15 t/m<sup>2</sup>: 0.6 mm
- Impact sound reduction: ΔL<sub>w</sub> = 20 dB(A) (with 50 mm screed)

Order No.	DU 1	DU 2
660001	1 pc.	16 pc.

**Drainbase sound insulation mat (roll) for TECEdrainprofile, TECEdrainline and TECEdrainpoint S**

Sound insulation mat for fitting under floating screed in the area of floor-level showers or throughout the bathroom. To reduce plumbing noises and provide impact sound insulation for renovations and new buildings.

Made from recycled high-tensile rubber granules bound with PUR elastomer. Meets enhanced sound insulation requirements for installation noise level according to DIN 4109, issued 2001-01 and the highest sound protection level SSt III according to VDI 4100, issued 2012-10 (sound test verification available from Fraunhofer IBP on request).

- Form of delivery: 8.0 m x 1.25 m x 6 mm (roll, approx. 50 kg)
- Fire class: B2 (DIN 4102)
- Thermal resistance: 0.05 (m<sup>2</sup>k)/W
- Compression at 15 t/m<sup>2</sup>: 0.6 mm
- Impact noise reduction:  $\Delta L_w = 20$  dB(A) (with 50 mm screed)

**Order No.**

660002

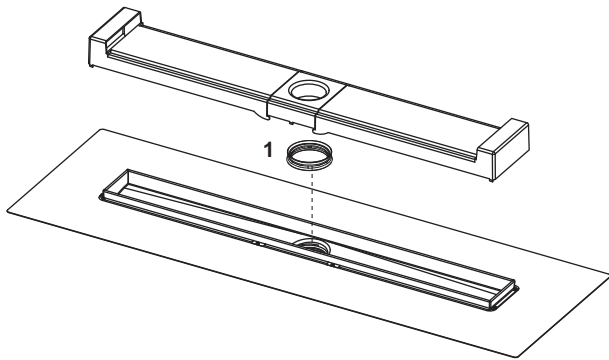
**DU 1**

8 m

# TECEdrainline – Spare parts

TECEdrainline-Evo shower channel

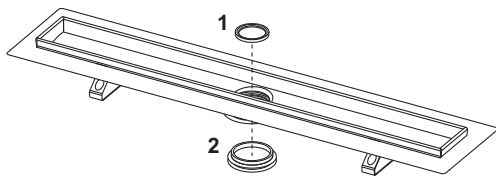
TECEdrainline-Evo shower channel with wall tile support



Pos.	Order No.	Designation	DU 1
1	668033*	Immersion pipe seal	NEW 1 pc.

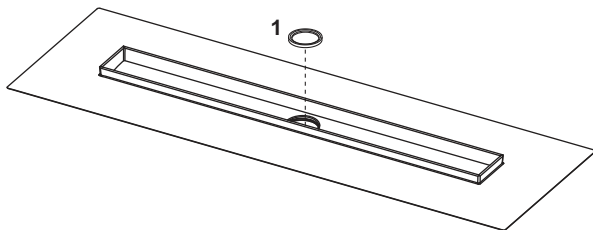
TECEdrainline shower channel, straight, with Seal System sealing tape

TECEdrainline shower channel, straight, with wall upstand and Seal System sealing tape



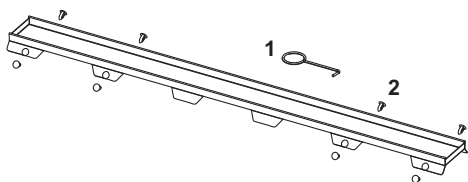
Pos.	Order No.	Designation	DU 1
1	668012	Immersion pipe seal	1 pc.
2	668013	Seal between channel and outlet, until 2015	1 pc.

TECEdrainline shower channel, straight, with factory fitted Seal System sealing sleeve



Pos.	Order No.	Designation	DU 1
1	668012	Immersion pipe seal	1 pc.

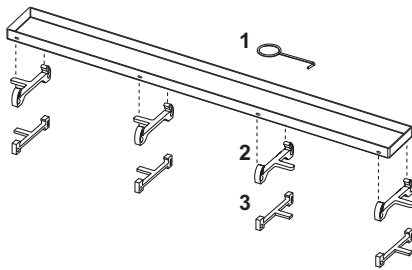
TECEdrainline tileable channel "plate II", for shower channel, straight



Pos.	Order No.	Designation	DU 1
1	668014	Lift tool	1 pc.
2	668016	Spacer clip	10 pc.

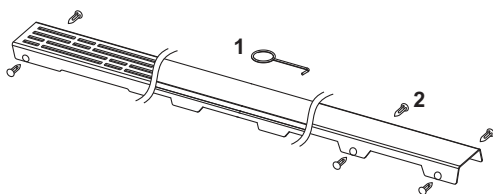


TECEdrainline tileable channel "plate", for shower channel, straight  
 TECEdrainline tileable channel "plate", for 90° angled channel



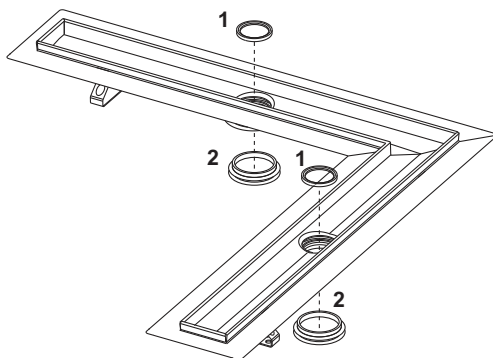
Pos.	Order No.	Designation	DU 1
1	668014	Lift tool	1 pc.
2	668020	Hollow feet, grey (from August 2007)	1 pc.
3	668024	Hollow feet, stainless steel (up to August 2007)	1 pc.

TECEdrainline glass cover for shower channel, straight  
 TECEdrainline design grate "steel II" polished or brushed stainless steel for shower channel, straight  
 TECEdrainline design grate "basic" polished or brushed stainless steel for shower channel, straight  
 TECEdrainline design grate "lines" polished or brushed stainless steel for shower channel, straight  
 TECEdrainline design grate "drops" polished or brushed stainless steel for shower channel, straight  
 TECEdrainline design grate "royal" polished or brushed stainless steel for shower channel, straight  
 TECEdrainline design grate "quadratum" polished or brushed stainless steel for shower channel, straight  
 TECEdrainline design grate "organic" polished or brushed stainless steel for shower channel, straight  
 TECEdrainline design grate "steel II", polished stainless steel for 90° angled shower channel  
 TECEdrainline design grate "basic", polished stainless steel for 90° angled shower channel



Pos.	Order No.	Designation	DU 1
1	668014	Lift tool	1 pc.
2	668016	Spacer clip	10 pc.

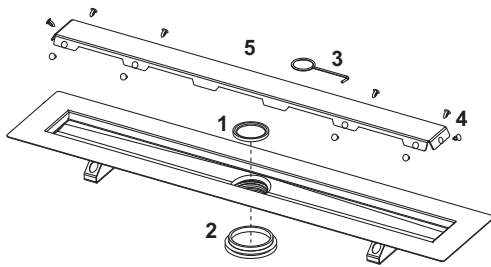
TECEdrainline angled channel with Seal System sealing tape



Pos.	Order No.	Designation	DU 1
1	668012	Immersion pipe seal	1 pc.
2	668013	Seal between channel and outlet, until 2015	1 pc.

# TECEdrainline – Spare parts

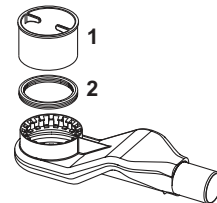
TECEdrainline shower channel for natural stone, straight, with Seal System sealing set and stainless steel support as a set



Pos.	Order No.	Designation	DU 1
1	668012	Immersion pipe seal	1 pc.
2	668013	Seal between channel and outlet, until 2015	1 pc.
3	668014	Lift tool	1 pc.
4	668016	Spacer clip	10 pc.
5	668026	Support sheet shower channel natural stone 700 mm	1 pc.
	668027	Support sheet shower channel natural stone 800 mm	1 pc.
	668028	Support sheet shower channel natural stone 900 mm	1 pc.
	668029	Support sheet shower channel natural stone 1000 mm	1 pc.
	668030	Support sheet shower channel natural stone 1200 mm	1 pc.
	668031	Support sheet shower channel natural stone 1500 mm	1 pc.

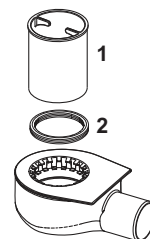
## 650004 – TECEdrainline drain "extra-flat", DN 40 side drain

Pos.	Order No.	Designation	DU 1
1	668025	Immersion tube (H = 25 mm) for outlet superflat	1 pc.
2	668032	Seal between channel and drain with grip claw, from 2015	1 pc.



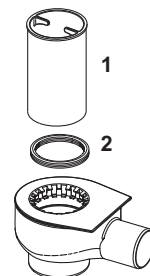
## 650000 – TECEdrainline drain "flat", DN 50 side drain

Pos.	Order No.	Designation	DU 1
1	668010	Immersion tube (H = 49 mm) for outlet flat	1 pc.
2	668032	Seal between channel and drain with grip claw, from 2015	1 pc.



## 650001 – TECEdrainline drain "standard", DN 50 side drain

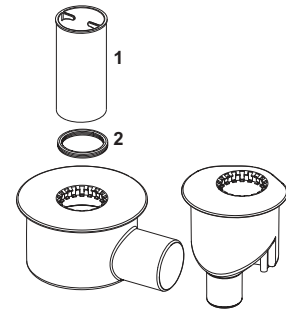
Pos.	Order No.	Designation	DU 1
1	668011	Immersion tube (H = 74 mm) for outlet standard	1 pc.
2	668032	Seal between channel and drain with grip claw, from 2015	1 pc.



650002 – TECEdrainline drain "max", DN 70 side drain

650003 – TECEdrainline drain "vertical", DN 50

Pos.	Order No.	Designation	DU 1
1	668019	Immersion pipe (H = 94 mm) for outlet max and vertical	1 pc.
2	668032	Seal between channel and drain with grip claw, from 2015	1 pc.





TECE®



Drainage Systems

# TECEdrainpoint S POINT DRAINS

ASSORTMENT LIST 2019



	Page
Drain sets	232
Drains	236
Drain tops	240
Grates	245
Accessories	247
Spare parts	251
Drainage capacity values	253

An overview of valid Declaration of Performance (DOP) is available on our website [www.tece.com](http://www.tece.com).

# TECEdrainpoint S – Drain sets

## TECEdrainpoint S 50 drain set extra-flat

Drain set TECEdrainpoint S 50 horizontal, extra-flat DN 50.

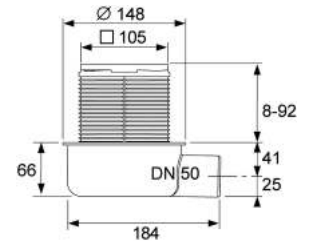
Consisting of:

- Drain body DN 50 horizontal, extra-flat, made of plastic (PP)
- Retaining edge
- With removable odour trap
- Reduced sealing water height = 30 mm
- Drain top with grate frame made of plastic (ABS) and o-ring seal
- TECEdrainpoint S design grate made of drawn stainless steel, material 1.4301 (304), dimensions 100 x 100 mm, polished surface, load class K3 (load bearing capacity up to 300 kg)

Drainage capacity to DIN EN 1253 at 10/20 mm water level over grate:

- With minimum height of the drain top: 0.52/0.61 l/s
- With maximum height of the drain top: 0.69/1.12 l/s

Delivery incl. protective cap, foil for the construction site and assembly instructions.



Order No.	DU 1	DU 2
3601050	1 pc.	10 pc.

## TECEdrainpoint S 110 drain set extra-flat with Seal System universal flange\*

Floor drain set TECEdrainpoint S 110 horizontal, extra-flat DN 50.

Consisting of:

- Drain body DN 50 horizontal, extra-flat, made of plastic (PP)
- With universal flange for connection of composite seals in accordance with DIN 18534 or clamped flange connections
- With integrated ball joint
- With lateral inflow DN 40 incl. closure plug
- With removable odour trap
- Discharge capacity from 0.62 to 0.98 l/s
- Reduced sealing water height = 30 mm
- Drain top with grate frame made of plastic (ABS) and O-ring seal
- TECEdrainpoint S design grate made of drawn stainless steel, material 1.4301 (304), dimensions 100 x 100 mm, polished surface, load class K3 (load up to 300 kg)

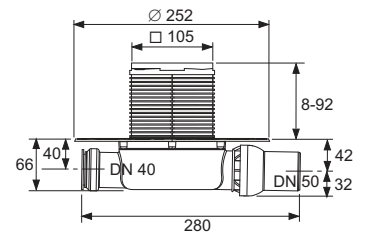
Drainage capacity to DIN EN 1253 at 10/20 mm water level over grate:

- With minimum height of the drain top: 0.52/0.61 l/s
- With maximum height of the drain top: 0.69/1.12 l/s

Delivery incl. protective cap, protective foil for on-site protection during construction, and assembly instructions.

**Please order separately – depending on seal type:**

- Seal System sealing sleeve for the execution of an independently tested connection to the composite seal
- Compression ring set and cut-to-size sealing foil for clamped flange connections



Order No.	DU 1	DU 2
3601100	1 pc.	10 pc.



## TECEdrainpoint S 112 drain set extra-flat with Seal System universal flange and stainless steel grate frame\*

Floor drain set TECEdrainpoint S 112 horizontal, extra-flat DN 50, stainless steel grate frame with stainless steel grate and two-stage membrane odour trap.

- Drain body DN 50 horizontal, extra-flat, made of plastic (PP)
- With universal flange for connection of composite seals in accordance with DIN 18534 or clamped flange connections
- With integrated ball joint
- With lateral inflow DN 40 incl. closure plug
- With removable 2-stage membrane odour trap
- 20 mm sealing water and additional sealing lip membrane
- Drain top with grate frame made of plastic (ABS) and O-ring seal
- Grate frame made of drawn stainless steel, material 1.4301 (304), for grate dimensions 100 x 100 mm
- TECEdrainpoint S design grate made of drawn stainless steel, material 1.4301 (304), dimensions 100 x 100 mm, polished surface, load class K3 (load up to 300 kg)

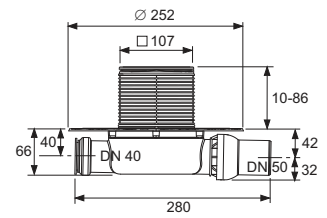
Drainage capacity to DIN EN 1253 at 10/20 mm water level over grate:

- With minimum height of the drain top: 0.51/0.61 l/s
- With maximum height of the drain top: 0.56/1.23 l/s

Delivery incl. protective cap, protective foil for on-site protection during construction, and assembly instructions.

### Please order separately – depending on seal type:

- Seal System sealing sleeve for the execution of an independently tested connection to the composite seal
- Compression ring set and cut-to-size sealing foil for clamped flange connections



Order No.	DU 1	DU 2
3601102	1 pc.	10 pc.

# TECEdrainpoint S – Drain sets

## TECEdrainpoint S 120 drain set standard with Seal System universal flange\*

Floor drain set TECEdrainpoint S 120 horizontal, standard DN 50, tested to DIN EN 1253.

Consisting of:

- Drain body DN 50 horizontal, extra-flat, made of plastic (PP)
- With universal flange for connection of composite seals in accordance with DIN 18534 or clamped flange connections
- With integrated ball joint
- With lateral inflow DN 40 incl. closure plug
- With removable odour trap
- Sealing water height = 50 mm to DIN EN 1253
- Drain top with grate frame made of plastic (ABS) and O-ring seal
- TECEdrainpoint S design grate made of drawn stainless steel, material 1.4301 (304), dimensions 100 x 100 mm, polished surface, load class K3 (load up to 300 kg)

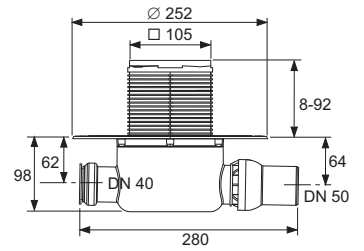
Drainage capacity to DIN EN 1253 at 10/20 mm water level over grate:

- With minimum height of the drain top: 0.52/0.89 l/s
- With maximum height of the drain top: 0.64/1.35 l/s

Delivery incl. protective cap, protective foil for on-site protection during construction, and assembly instructions.

Please order separately – depending on seal type:

- Seal System sealing sleeve for the execution of an independently tested connection to the composite seal
- Compression ring set and cut-to-size sealing foil for clamped flange connections



Order No.	DU 1	DU 2
3601200	1 pc.	10 pc.

## TECEdrainpoint S 122 drain set standard with Seal System universal flange and stainless steel grate frame\*

Floor drain set TECEdrainpoint S 122 horizontal, DN 50, stainless steel grate frame with stainless steel grate and 2-stage membrane odour trap.

- Drain body DN 50 horizontal, made of plastic (PP)
- With universal flange for connection of composite seals in accordance with DIN 18534 or clamped flange connections
- With integrated ball joint
- With lateral inflow DN 40 incl. closure plug
- With removable 2-stage membrane odour trap
- 50 mm sealing water and additional sealing lip membrane
- Drain top with grate frame made of plastic (ABS) and O-ring seal
- Grate frame made of drawn stainless steel, material 1.4301 (304), for grate dimensions 100 x 100 mm
- TECEdrainpoint S design grate made of drawn stainless steel, material 1.4301 (304), dimensions 100 x 100 mm, polished surface, load class K3 (load up to 300 kg)

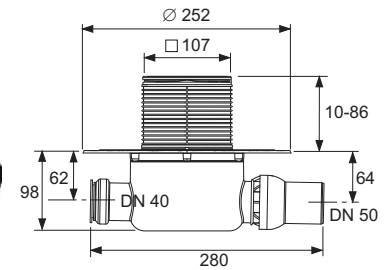
Drainage capacity to DIN EN 1253 at 10/20 mm water level over grate:

- With minimum height of the drain top: 0.54/0.85 l/s
- With maximum height of the drain top: 0.71/1.35 l/s

Delivery incl. protective cap, protective foil for on-site protection during construction, and assembly instructions.

**Please order separately – depending on seal type:**

- Seal System sealing sleeve for the execution of an independently tested connection to the composite seal
- Compression ring set and cut-to-size sealing foil for clamped flange connections



Order No.	DU 1	DU 2
3601202	1 pc.	10 pc.

## TECEdrainpoint S 130 drain set vertical with Seal System universal flange\*

Floor drain set TECEdrainpoint S 130 vertical DN 50, tested to DIN EN 1253.

Consisting of:

- Drain body DN 50 vertical, made of plastic (PP)
- With universal flange for connection of composite seals in accordance with DIN 18534 or clamped flange connections
- With removable odour trap
- Sealing water height = 50 mm to DIN EN 1253
- Drain top with grate frame made of plastic (ABS) and O-ring seal
- TECEdrainpoint S design grate made of drawn stainless steel, material 1.4301 (304), dimensions 100 x 100 mm, polished surface, load class K3 (load up to 300 kg)

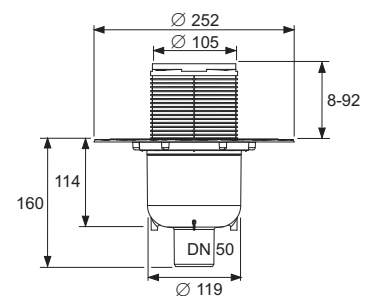
Drainage capacity to DIN EN 1253 at 10/20 mm water level over grate:

- With minimum height of the drain top: 0.64/1.36 l/s
- With maximum height of the drain top: 0.70/1.56 l/s

Delivery incl. protective cap, protective foil for on-site protection during construction, and assembly instructions.

**Please order separately – depending on seal type:**

- Seal System sealing sleeve for the execution of an independently tested connection to the composite seal
- Compression ring set and cut-to-size sealing foil for clamped flange connections



Order No.	DU 1	DU 2
3601300	1 pc.	10 pc.

# TECEdrainpoint S – Drains

## TECEdrainpoint S drain DN 50 extra-flat with Seal System universal flange\*

TECEdrainpoint S DN 50 floor drain, horizontal, extra-flat, made of plastic (PP).

- With universal flange for connection of composite seals in accordance with DIN 18534 or clamped flange connections
- With ball joint
- With lateral inflow DN 40 including closure plug
- With removable odour trap
- Reduced sealing water height = 30 mm

Drainage capacity to DIN EN 1253 at 10/20 mm water level over grate:

- With minimum height of the drain top: 0.52/0.61 l/s
- With maximum height of the drain top: 0.69/1.12 l/s

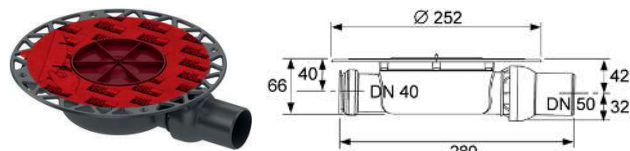
Delivery includes protective cap, protective foil for on-site protection during construction and assembly instructions.

### Please order separately – depending on seal type:

- Seal System sealing sleeve for the execution of an independently tested connection to the composite seal
- Compression ring set and cut-to-size sealing foil for clamped flange connections

### Note:

Drainage capacity values measured with drain top and design grate 100 mm (Order No. 3660001), for further drain capacity values see the relevant chapter.



<b>Order No.</b>	<b>DU 1</b>
3601400	1 pc.

## TECEdrainpoint S drain DN 50 terrace with Seal System universal flange\*

Floor drain TECEdrainpoint S DN 50 as terrace or balcony drain, horizontal, extra-flat, made of plastic (PP).

- With universal flange for connection of composite seals in accordance with DIN 18534 or clamped flange connections
- Without odour trap

Drainage capacity to DIN EN 1253 at 10/20 mm water level over grate:

- With minimum height of the drain top: 0.66/1.22 l/s
- With maximum height of the drain top: 0.50/1.51 l/s

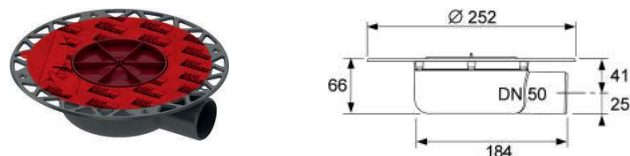
Delivery incl. protective cap, protective foil for on-site protection during construction, and assembly instructions.

### Please order separately – depending on seal type:

- Seal System sealing sleeve for the execution of a tested and certified connection to the composite seal
- Compression ring set and cut-to-size sealing foil for clamped flange connections

### Note:

Drainage capacity values measured with drain top and design grate 100 mm (Order No. 3660001), for further drain capacity values see the relevant chapter.



<b>Order No.</b>	<b>DU 1</b>
3601401	1 pc.

## TECEdrainpoint S drain DN 50 standard with Seal System universal flange\*

Floor drain TECEdrainpoint S DN 50 horizontal, standard, made of plastic (PP), tested to DIN EN 1253.

- With universal flange for connection of composite seals in accordance with DIN 18534 or clamped flange connections
- With lateral inflow DN 40 including closure plug
- With removable odour trap
- Sealing water height = 50 mm to DIN EN 1253

Drainage capacity to DIN EN 1253 at 10/20 mm water level over grate:

- With minimum height of the drain top: 0.52/0.89 l/s
- With maximum height of the drain top: 0.64/1.35 l/s

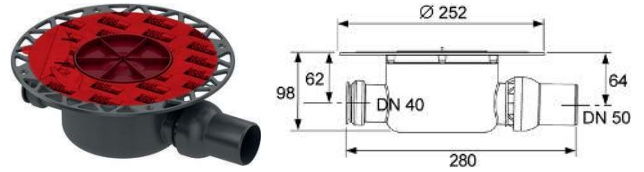
Delivery incl. protective cap, protective foil for on-site protection during construction, and assembly instructions.

### Please order separately – depending on seal type:

- Seal System sealing sleeve for the execution of a tested and certified connection to the composite seal
- Compression ring set and cut-to-size sealing foil for clamped flange connections

### Note:

Drainage capacity values measured with drain top and design grate 100 mm (Order No. 3660001), for further drain capacity values see the relevant chapter.



<b>Order No.</b>	<b>DU 1</b>
3601500	1 pc.

## TECEdrainpoint S drain DN 50 vertical with Seal System universal flange\*

Floor drain TECEdrainpoint S DN 50 vertical, standard, made of plastic (PP), tested to DIN EN 1253.

- With universal flange for connection of composite seals in accordance with DIN 18534 or clamped flange connections
- With removable odour trap
- Sealing water height = 50 mm to DIN EN 1253

Drainage capacity to DIN EN 1253 at 10/20 mm water level over grate:

- With minimum height of the drain top: 0.64/1.36 l/s
- With maximum height of the drain top: 0.70/1.56 l/s

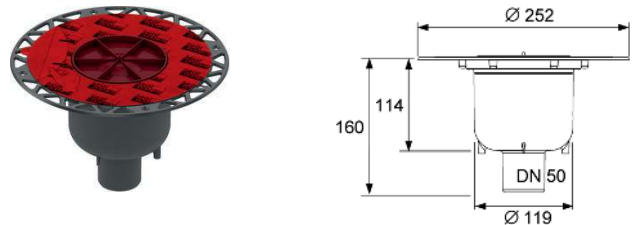
Delivery incl. protective cap, protective foil for on-site protection during construction, and assembly instructions.

### Please order separately – depending on seal type:

- Seal System sealing sleeve for the execution of a tested and certified connection to the composite seal
- Compression ring set and cut-to-size sealing foil for clamped flange connections

### Note:

Drainage capacity values measured with drain top and design grate 100 mm (Order No. 3660001), for further drain capacity values see the relevant chapter.



<b>Order No.</b>	<b>DU 1</b>
3601600	1 pc.

# TECEdrainpoint S – Drains

## TECEdrainpoint S drain DN 70 with Seal System universal flange\*

Floor drain TECEdrainpoint S DN 70 vertical, standard, made of plastic (PP), tested to DIN EN 1253.

- With universal flange for connection of composite seals in accordance with DIN 18534 or clamped flange connections
- With lateral inflow DN 50 incl. closure plug
- With removable odour trap
- Sealing water height = 50 mm to DIN EN 1253

Drainage capacity to DIN EN 1253 at 10/20 mm water level over grate:

- With minimum height of the drain top: 0.62/1.22 l/s
- With maximum height of the drain top: 0.87/1.74 l/s

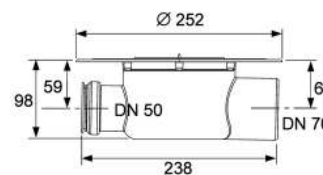
Delivery incl. protective cap, protective foil for on-site protection during construction, and assembly instructions.

### Please order separately – depending on seal type:

- Seal System sealing sleeve for the execution of a tested and certified connection to the composite seal
- Compression ring set and cut-to-size sealing foil for clamped flange connections

### Note:

Drainage capacity values measured with drain top and design grate 150 mm (Order No. 3660003), for further drain capacity values see the relevant chapter.



<b>Order No.</b>	<b>DU 1</b>
3603500	1 pc.

## TECEdrainpoint S drain DN 70 vertical with Seal System universal flange\*

Floor drain TECEdrainpoint S DN 70 vertical, standard, made of plastic (PP), tested to DIN EN 1253.

- With universal flange for connection of composite seals in accordance with DIN 18534 or clamped flange connections
- With removable odour trap
- Sealing water height = 50 mm to DIN EN 1253

Drainage capacity to DIN EN 1253 at 10/20 mm water level over grate:

- With minimum height of the drain top: 0.47/1.81 l/s
- With maximum height of the drain top: 0.63/1.84 l/s

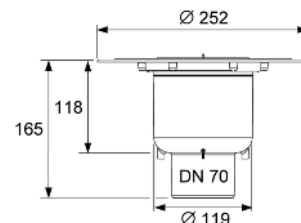
Delivery incl. protective cap, protective foil for on-site protection during construction, and assembly instructions.

### Please order separately – depending on seal type:

- Seal System sealing sleeve for the execution of a tested and certified connection to the composite seal
- Compression ring set and cut-to-size sealing foil for clamped flange connections

### Note:

Drainage capacity values measured with drain top and design grate 150 mm (Order No. 3660003), for further drain capacity values see the relevant chapter.



<b>Order No.</b>	<b>DU 1</b>
3603600	1 pc.

## TECEdrainpoint S drain DN 100 with Seal System universal flange\*

Floor drain TECEdrainpoint S DN 100 vertical, standard, made of plastic (PP), tested to DIN EN 1253

- With universal flange for connection of composite seals in accordance with DIN 18534 or clamped flange connections
- With lateral inflow DN 50 incl. closure plug
- With removable odour trap
- Sealing water height = 50 mm to DIN EN 1253

Drainage capacity to DIN EN 1253 at 10/20 mm water level over grate:

- With minimum height of the drain top: 0.90/1.61 l/s
- With maximum height of the drain top: 0.86/2.03 l/s

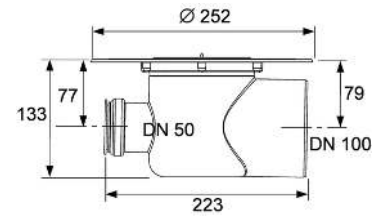
Delivery incl. protective cap, protective foil for on-site protection during construction, and assembly instructions.

### Please order separately – depending on seal type:

- Seal System sealing sleeve for the execution of a tested and certified connection to the composite seal
- Compression ring set and cut-to-size sealing foil for clamped flange connections

### Note:

Drainage capacity values measured with drain top and design grate 150 mm (Order No. 3660003), for further drain capacity values see the relevant chapter.



<b>Order No.</b>	<b>DU 1</b>
3607500	1 pc.

## TECEdrainpoint S drain DN 100 vertical with Seal System universal flange\*

Floor drain TECEdrainpoint S DN 100 vertical, standard, made of plastic (PP), tested to DIN EN 1253

- With universal flange for connection of composite seals in accordance with DIN 18534 or clamped flange connections
- With removable odour trap
- Sealing water height = 50 mm to DIN EN 1253

Drainage capacity to DIN EN 1253 at 10/20 mm water level over grate:

- With minimum height of the drain top: 0.76/1.42 l/s
- With maximum height of the drain top: 0.80/2.10 l/s

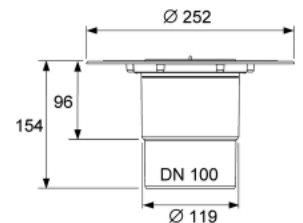
Delivery incl. protective cap, protective foil for on-site protection during construction, and assembly instructions.

### Please order separately – depending on seal type:

- Seal System sealing sleeve for the execution of an independently tested connection to the composite seal
- Compression ring set and cut-to-size sealing foil for clamped flange connections

### Note:

Drainage capacity values measured with drain top and design grate 150 mm (Order No. 3660003), for further drain capacity values see the relevant chapter.



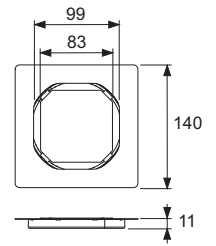
<b>Order No.</b>	<b>DU 1</b>
3607600	1 pc.

# TECEdrainpoint S – Drain tops

## TECEdrainpoint S grate frame stainless steel, 100 mm, frameless tile base

Set consisting of tileable drain top and tileable frameless base, 100 x 100 mm made of stainless steel.

- Outer diameter = 110 mm
- Height = 1 mm (suitable for all tile/natural stone thicknesses)
- Grate frame made of drawn stainless steel material 1.4301 (304)
- Frameless tile base made of stainless steel, material 1.4301 (304), dimensions 83 x 83 mm, polished surface, load class K3 (load up to 300 kg)

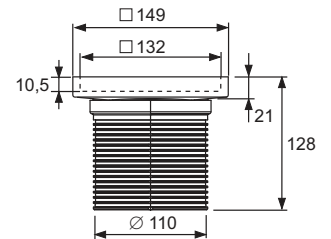


<b>Order No.</b>	<b>DU 1</b>
3660016	1 pc.

## TECEdrainpoint S grate frame stainless steel, 150 mm, design "plate"

Set consisting of drain top with stainless steel grate frame and tileable channel "plate", 142 x 142 mm.

- Drain top made of plastic (ABS)
- O-ring seal
- Outer diameter = 110 mm
- Height adjustment = 23-118 mm
- Inner height of tileable insert = 10.5 mm
- Grate frame made of drawn stainless steel, material 1.4301 (304)
- Tileable channel plate made of stainless steel, material 1.4301 (304), dimensions 142 x 142 mm, polished surface, load class K3 (load up to 300 kg)

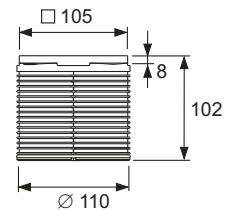


<b>Order No.</b>	<b>DU 1</b>
3660011	1 pc.

## TECEdrainpoint S grate frame plastic, 100 mm, incl. design grate

Set consisting of drain top with grate frame (plastic) and TECEdrainpoint S design grate 100 x 100 mm.

- Drain top with grate frame made of plastic (ABS)
- O-ring seal
- Outer diameter = 110 mm
- Height adjustment = 10-92 mm
- TECEdrainpoint S design grate made of drawn stainless steel, material 1.4301 (304), dimensions 100 x 100 mm, polished surface, load class K3 (load up to 300 kg)



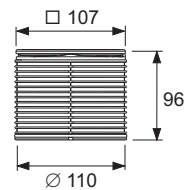
<b>Order No.</b>	<b>DU 1</b>
3660001	1 pc.



## TECEdrainpoint S grate frame stainless steel, 100 mm, incl. design grate

Set consisting of drain top with grate frame (stainless steel) and TECEdrainpoint S design grate 100 x 100 mm.

- Drain top made of plastic (ABS)
- O-ring seal
- Outer diameter = 110 mm
- Height adjustment = 10-86 mm
- Grate frame made of drawn stainless steel, material 1.4301 (304)
- TECEdrainpoint S design grate made of drawn stainless steel, material 1.4301 (304), dimensions 100 x 100 mm, polished surface, load class K3 (load up to 300 kg)

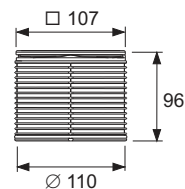


Order No.	DU 1
3660002	1 pc.

## TECEdrainpoint S grate frame stainless steel, 100 mm, incl. design grate, screw-down

Set consisting of drain top with grate frame (stainless steel) and TECEdrainpoint S design grate 100 x 100 mm.

- Drain top made of plastic (ABS)
- O-ring seal
- Outer diameter = 110 mm
- Height adjustment = 10-86 mm
- Grate frame made of drawn stainless steel, material 1.4301 (304)
- TECEdrainpoint S design grate made of drawn stainless steel, material 1.4301 (304), dimensions 100 x 100 mm, polished surface, load class K3 (load up to 300 kg)
- Two stainless steel countersunk screws

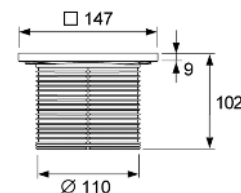


Order No.	DU 1
3660009	1 pc.

## TECEdrainpoint S grate frame plastic, 150 mm, incl. design grate

Set consisting of drain top with grate frame (plastic) and TECEdrainpoint S design grate 142 x 142 mm.

- Drain top with grate frame made of plastic (ABS)
- O-ring seal
- Outer diameter = 110 mm
- Height adjustment = 12-92 mm
- TECEdrainpoint S design grate made of drawn stainless steel, material 1.4301 (304), dimensions 142 x 142 mm, polished surface, load class K3 (load up to 300 kg)



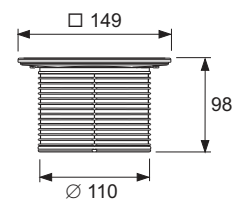
Order No.	DU 1
3660003	1 pc.

# TECEdrainpoint S – Drain tops

## TECEdrainpoint S grate frame stainless steel, 150 mm, incl. design grate

Set consisting of drain top with grate frame (stainless steel) and TECEdrainpoint S design grate 142 x 142 mm.

- Drain top made of plastic (ABS)
- O-ring seal
- Outer diameter = 110 mm
- Height adjustment = 12-88 mm
- Grate frame made of drawn stainless steel, material 1.4301 (304)
- TECEdrainpoint S design grate made of drawn stainless steel, material 1.4301 (304), dimensions 142 x 142 mm, polished surface, load class K3 (load up to 300 kg)

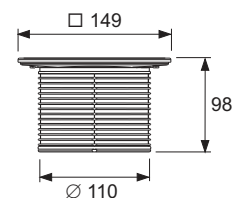


<b>Order No.</b>	<b>DU 1</b>
3660004	1 pc.

## TECEdrainpoint S grate frame stainless steel, 150 mm, incl. design grate, screw-down

Set consisting of drain top with grate frame (stainless steel) and TECEdrainpoint S design grate 142 x 142 mm.

- Drain top made of plastic (ABS)
- O-ring seal
- Outer diameter = 110 mm
- Height adjustment = 12-88 mm
- Grate frame made of drawn stainless steel, material 1.4301 (304)
- TECEdrainpoint S design grate made of drawn stainless steel, material 1.4301 (304), dimensions 142 x 142 mm, polished surface, load class K3 (load up to 300 kg)
- Two stainless steel countersunk screws

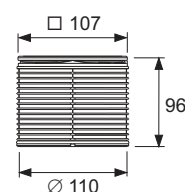


<b>Order No.</b>	<b>DU 1</b>
3660010	1 pc.

## TECEdrainpoint S grate frame stainless steel, 100 mm, incl. design grate "quadratum"

Set consisting of drain top with stainless steel grate frame and design grate "quadratum" 100 x 100 mm.

- Drain top made of plastic (ABS)
- O-ring seal
- Outer diameter = 110 mm
- Height adjustment = 10-86 mm
- Grate frame made of drawn stainless steel, material 1.4301 (304)
- Design grate "quadratum" made of stainless steel, material 1.4301 (304), dimensions 100 x 100 mm, polished surface, load class L15 (load up to 1500 kg)

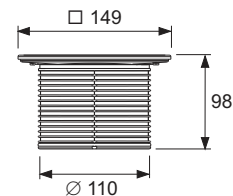


<b>Order No.</b>	<b>DU 1</b>
3660007	1 pc.

## TECEdrainpoint S grate frame stainless steel, 150 mm, incl. design grate "quadratum"

Set consisting of drain top with stainless steel grate frame and design grate "quadratum" 142 x 142 mm.

- Drain top made of plastic (ABS)
- O-ring seal
- Outer diameter = 110 mm
- Height adjustment = 12-88 mm
- Grate frame made of drawn stainless steel, material 1.4301 (304)
- Design grate "quadratum" made of stainless steel, material 1.4301 (304), dimensions 142 x 142 mm, polished surface, load class L15 (load up to 1500 kg)

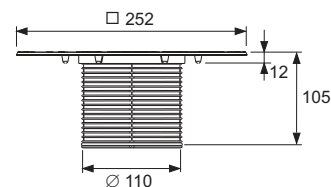


Order No.	DU 1
3660008	1 pc.

## TECEdrainpoint S raising element with Seal System universal flange\*

Drain top made of plastic with universal flange made of plastic (PP) for composite or clamped flange seals.

- With universal flange to connect composite seals or clamped flange connections
- Incl. O-ring seal
- Outer diameter = 110 mm
- Height adjustment = 12-95 mm



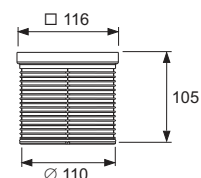
Order No.	DU 1
3660005	1 pc.



## TECEdrainpoint S extension

Drain top extension made of plastic (ABS).

- With O-ring seal
- Outer diameter = 110 mm
- Height adjustment = 14-95 mm

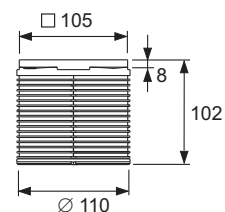


Order No.	DU 1
3660006	1 pc.

## TECEdrainpoint S grate frame plastic, 100 mm, without grate

Consisting of drain top with grate frame (plastic) without grate.

- Drain top with grate frame made of plastic (ABS)
- O-ring seal
- Outer diameter = 110 mm
- Height adjustment range = 10-92 mm



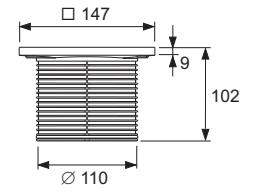
Order No.	DU 1
3660018	1 pc.

# TECEdrainpoint S – Drain tops

## TECEdrainpoint S grate frame plastic, 150 mm, without grate

Drain top with grate frame (plastic) without grate.

- Drain top made of plastic (ABS)
- O-ring seal
- Outer diameter = 110 mm
- Height adjustment range = 10-92 mm



Order No.

3660019

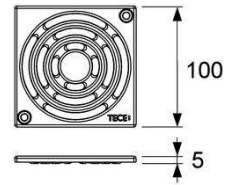
DU 1

1 pc.

## TECEdrainpoint S design grate stainless steel, 100 mm, screw-down

Design grate TECEdrainpoint S 100 x 100 mm made of drawn stainless steel, material 1.4301 (304), screw-down.

- Dimensions = 100 x 100 mm (outer dimensions)
- Polished surface
- Load class K3 (load up to 300 kg)
- Incl. two stainless steel countersunk screws and self-cutting threaded bushes

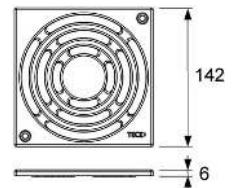


<b>Order No.</b>	<b>DU 1</b>
3665000	1 pc.

## TECEdrainpoint S design grate stainless steel, 150 mm, screw-down

Design grate TECEdrainpoint S 142 x 142 mm made of drawn stainless steel, material 1.4301 (304), screw-down.

- Dimensions = 142 x 142 mm (outer dimensions)
- Polished surface
- Load class K3 (load up to 300 kg)
- Incl. two stainless steel countersunk screws and self-cutting threaded bushes

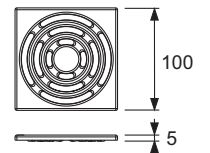


<b>Order No.</b>	<b>DU 1</b>
3665001	1 pc.

## TECEdrainpoint S design grate stainless steel, 100 mm

Design grate TECEdrainpoint S 100 x 100 mm made of drawn stainless steel, material 1.4301 (304).

- Dimensions = 100 x 100 mm (outer dimensions)
- Polished surface
- Load class K3 (load up to 300 kg)

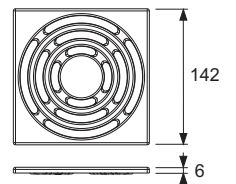


<b>Order No.</b>	<b>DU 1</b>
3665002	1 pc.

## TECEdrainpoint S design grate stainless steel, 150 mm

Design grate TECEdrainpoint S 142 x 142 mm made of drawn stainless steel, material 1.4301 (304).

- Dimensions = 142 x 142 mm (outer dimensions)
- Polished surface
- Load class K3 (load up to 300 kg)



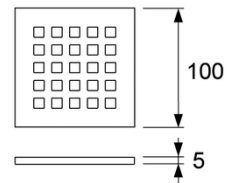
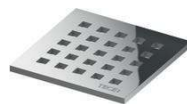
<b>Order No.</b>	<b>DU 1</b>
3665003	1 pc.

# TECEdrainpoint S – Grates

## TECEdrainpoint S design grate "quadratum" stainless steel, 100 mm

Design grate "quadratum" TECEdrainpoint S 100 x 100 mm, made of stainless steel, material 1.4301 (304).

- Dimensions = 100 x 100 mm (outer dimensions)
- Polished surface
- Load class L15 (load up to 1500 kg)

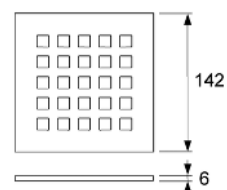
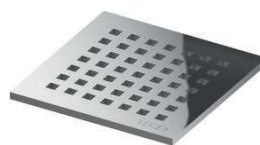


<b>Order No.</b>	<b>DU 1</b>
3665006	1 pc.

## TECEdrainpoint S design grate "quadratum" stainless steel, 150 mm

Design grate "quadratum" TECEdrainpoint S 142 x 142 mm, made of stainless steel, material 1.4301 (304).

- Dimensions = 142 x 142 mm (outer dimensions)
- Polished surface
- Load class L15 (load up to 1500 kg)



<b>Order No.</b>	<b>DU 1</b>
3665009	1 pc.

## TECEdrainpoint S fire protection set FireStop EI 120 DN 50

Fire protection set for direct installation at the drain. TECEdrainpoint S DN 50 drain vertical for highly fire resistant partitioning of ceiling bushings in solid ceilings for up to 120 minutes. Classification in accordance with DIN EN 13501 for fire resistance class EI 120, European technical approval (ETA-11/0437).

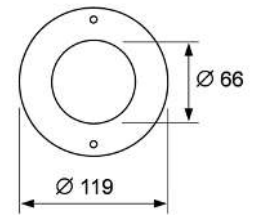
Set consists of fire protection sleeve, 2 cross-recessed screws, identification plate and 150 mm DN 50 PP-HT pipe to DIN EN 1451.

Required core drill hole:

Diameter 120 mm (min = 119 mm, max = 123 mm)

Application area: solid ceilings from 150-325 mm ceiling thickness

No grouting or filling of the gap is necessary.



<b>Order No.</b>	<b>DU 1</b>
3690050	1 pc.

## TECEdrainpoint S fire protection sleeve DN 70/DN 100

Fire protection sleeve for assembly under the ceiling, using vertical TECEdrainpoint S floor drains DN 70 and DN 100 together with a PP-HT drain pipe in accordance with EN 1451. For highly fire resistant partitioning of the ceiling bushing in solid ceilings for up to 120 minutes.

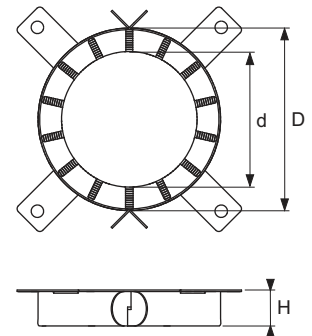
Required core drill hole:

- DN 70: Diameter 122 mm
- DN 100: Diameter 132 mm

Application area:

solid ceilings  $\geq 200$  mm ceiling thickness

No grouting or filling of the gap is necessary.



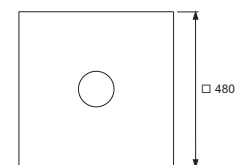
Version	D	d	H	Order No.	DU 1	DU 2
DN 70	132 mm	94 mm	26,6 mm	3690070	1 pc.	10 pc.
DN 100	155 mm	114 mm	26,6 mm	3690100	1 pc.	10 pc.

## TECEdrainpoint S Seal System sealing sleeve for composite seals\*

Seal System sealing sleeve for the execution of an independently tested connection of TECEdrainpoint S drains to the composite seal.

Consisting of:

- PP fleece (top and underside) and inner waterproof PE foil
- Dimensions = 480 x 480 mm



<b>Order No.</b>	<b>DU 1</b>
3690004	1 pc.



# TECEdrainpoint S – Accessories

## TECEdrainpoint S compression ring set stainless steel

Compression sealing ring set for TECEdrainpoint S drains to create clamped flange connections.

Consisting of:

- Compression ring made of stainless steel, material 1.4301 (304) with pre-drilled hole circle
- Sealing ring made of cellular rubber
- Six stainless steel screws



<b>Order No.</b>	<b>DU 1</b>
3690003	1 pc.

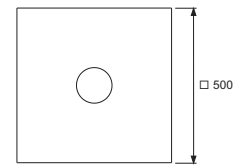
## TECEdrainpoint S cut-to-size sealing foil EPDM for clamped flange connections

Sealing sleeve for TECEdrainpoint S drains, for joining bitumen membrane sheets, polymer bitumen membrane sheets or EPDM sealing strips using hot-air welding or full-area welding. The sealing sleeve is fixed on the universal flange with the compression ring set.

- Material: EPDM with glass cloth reinforcement, underside with polymer-modified bitumen layer and fine quartz coating
- Dimensions = 500 x 500 mm
- Material thickness = 3.1 mm
- Manufacturer: Phoenix Restrix MB

Please order separately:

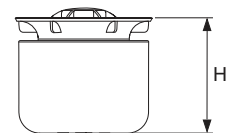
- Compression ring set (Order No. 3690003)



<b>Order No.</b>	<b>DU 1</b>
3690006	1 pc.

## TECEdrainpoint S membrane odour trap

Odour trap for TECEdrainpoint S drains made of plastic (PP) with inner sealing lip membrane as protection against evaporation, barrier against odours and vermin, water seal and sealing lip membrane provide two-stage trap effect. Suitable to retrofit to all TECEdrainpoint S floor drains



Version	H	Order No.	DU 1
For drain DN 50 extra-flat	50 mm	3695002	1 pc.
For drains DN 50 standard and vertical and DN 70	83 mm	3695005	1 pc.
For drains DN 100	117 mm	3695006	1 pc.

## TECEdrainpoint S hair trap

Hair trap made of plastic, for insertion in the TECEdrainpoint S drain.



<b>Order No.</b>	<b>DU 1</b>	<b>DU 2</b>
3690005	1 pc.	100 pc.



## TECEdrainpoint S assembly feet, sound-insulated

Assembly feet for TECEdrainpoint S drains with universal flange to make it easy to adjust height and fix in position during the bare-wall installation stage.

Adjustment range lower edge of feet to the upper edge of universal flange: 64-165 mm

Consisting of 4 assembly feet incl. sound-proofing element and mounting material



Order No.	DU 1	DU 2
3690007	1 set	10 set

## TECE PP-HT adapter on PVC drain pipes

Adapter to connect TECEdrainline and TECEdrainpoint S drains to PVC waste water pipes.



Dimension	Order No.	DU 1	DU 2	DU 3
DN 40/DN 40	3690000	1 pc.	70 pc.	1120 pc.
DN 50/DN 40	3690001	1 pc.	70 pc.	1120 pc.
DN 50/DN 50	3690002	1 pc.	70 pc.	1120 pc.

## TECE adapter DN 50/2"

Adapter to connect TECEdrainline, TECEdrainpoint S and TECEdrainprofile drains to 2" PVC waste water pipes in accordance with BS5255.



Order No.	DU 1	DU 2
669012	1 pc.	10 pc.

## Drainbase sound insulation mat for TECEdrainprofile, TECEdrainline and TECEdrainpoint S

Sound insulation mat for fitting under floating screed in the area of floor-level showers or throughout the bathroom. To reduce plumbing noises and impact sounds and for impact sound insulation for renovations and new buildings. Installation noise level with normal shower setting: 22 dB(A) with shower channel TECEdrainline. Made from recycled high-tensile rubber granules bound with PUR elastomer. Meets enhanced sound insulation requirements to DIN 4109, issued 2001-01 and the highest sound protection level SSt III to VDI 4100, issued 2012-10 (sound test verification available from Fraunhofer IBP on request).

- Form of delivery: 1.25 m x 1.25 m x 6 mm
- Fire class: B2 (DIN 4102)
- Thermal resistance: 0.05 (m<sup>2</sup>K)/W
- Compression at 15 t/m<sup>2</sup>: 0.6 mm
- Impact sound reduction: ΔLw= 20 dB(A) (with 50 mm screed)



Order No.	DU 1	DU 2
660001	1 pc.	16 pc.

## TECEdrainpoint S – Accessories

### Drainbase sound insulation mat (roll) for TECEdrainprofile, TECEdrainline and TECEdrainpoint S

Sound insulation mat for fitting under floating screed in the area of floor-level showers or throughout the bathroom. To reduce plumbing noises and provide impact sound insulation for renovations and new buildings.

Made from recycled high-tensile rubber granules bound with PUR elastomer. Meets enhanced sound insulation requirements for installation noise level according to DIN 4109, issued 2001-01 and the highest sound protection level SSt III according to VDI 4100, issued 2012-10 (sound test verification available from Fraunhofer IBP on request).

- Form of delivery: 8.0 m x 1.25 m x 6 mm (roll, approx. 50 kg)
- Fire class: B2 (DIN 4102)
- Thermal resistance: 0.05 (m<sup>2</sup>k)/W
- Compression at 15 t/m<sup>2</sup>: 0.6 mm
- Impact noise reduction:  $\Delta L_w = 20$  dB(A) (with 50 mm screed)



Order No.

660002

DU 1

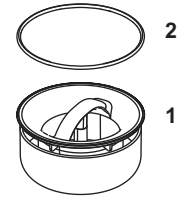
8 m

3601050 – TECEdrainpoint S 50 drain set extra-flat

3601100 – TECEdrainpoint S 110 drain set extra-flat with Seal System universal flange

3601102 – TECEdrainpoint S 112 drain set extra-flat with Seal System universal flange and stainless steel grate frame

Pos.	Order No.	Designation	DU 1
1	3695000	Odour trap superflat made of PP for horizontal outlets DN 50 superflat, height 50 mm	1 pc.
2	3695003	O-ring seal for drain top with 110 mm	1 pc.

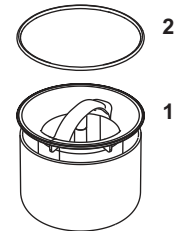


3601200 – TECEdrainpoint S 120 drain set standard with Seal System universal flange

3601202 – TECEdrainpoint S 122 drain set standard with Seal System universal flange and stainless steel grate frame

3601300 – TECEdrainpoint S 130 drain set vertical with Seal System universal flange

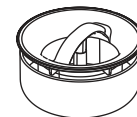
Pos.	Order No.	Designation	DU 1
1	3695001	Odour trap standard made of PP for horizontal and vertical outlets DN 50 standard and DN 70, height 83 mm	1 pc.
2	3695003	O-ring seal for drain top with 110 mm	1 pc.



3601400 – TECEdrainpoint S drain DN 50 extra-flat with Seal System universal flange

3601401 – TECEdrainpoint S drain DN 50 terrace with Seal System universal flange

Pos.	Order No.	Designation	DU 1
1	3695000	Odour trap superflat made of PP for horizontal outlets DN 50 superflat, height 50 mm	1 pc.



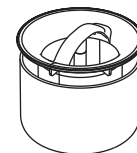
3601500 – TECEdrainpoint S drain DN 50 standard with Seal System universal flange

3601600 – TECEdrainpoint S drain DN 50 vertical with Seal System universal flange

3603500 – TECEdrainpoint S drain DN 70 with Seal System universal flange

3603600 – TECEdrainpoint S drain DN 70 vertical with Seal System universal flange

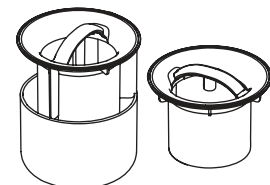
Pos.	Order No.	Designation	DU 1
1	3695001	Odour trap standard made of PP for horizontal and vertical outlets DN 50 standard and DN 70, height 83 mm	1 pc.



3607500 – TECEdrainpoint S drain DN 100 with Seal System universal flange

3607600 – TECEdrainpoint S drain DN 100 vertical with Seal System universal flange

Pos.	Order No.	Designation	DU 1
1	3695004	Odour trap DIN100, height 117 mm	1 pc.



## TECEdrainpoint S – Spare parts

- 3660011 – TECEdrainpoint S grate frame stainless steel, 150 mm, design "plate"
- 3660001 – TECEdrainpoint S grate frame plastic, 100 mm, incl. design grate
- 3660002 – TECEdrainpoint S grate frame stainless steel, 100 mm, incl. design grate
- 3660009 – TECEdrainpoint S grate frame stainless steel, 100 mm, incl. design grate, screw-down
- 3660003 – TECEdrainpoint S grate frame plastic, 150 mm, incl. design grate
- 3660004 – TECEdrainpoint S grate frame stainless steel, 150 mm, incl. design grate
- 3660010 – TECEdrainpoint S grate frame stainless steel, 150 mm, incl. design grate, screw-down
- 3660007 – TECEdrainpoint S grate frame stainless steel, 100 mm, incl. design grate "quadratum"
- 3660008 – TECEdrainpoint S grate frame stainless steel, 150 mm, incl. design grate "quadratum"
- 3660005 – TECEdrainpoint S raising element with Seal System universal flange
- 3660006 – TECEdrainpoint S extension
- 3660019 – TECEdrainpoint S grate frame plastic, 150 mm, without grate

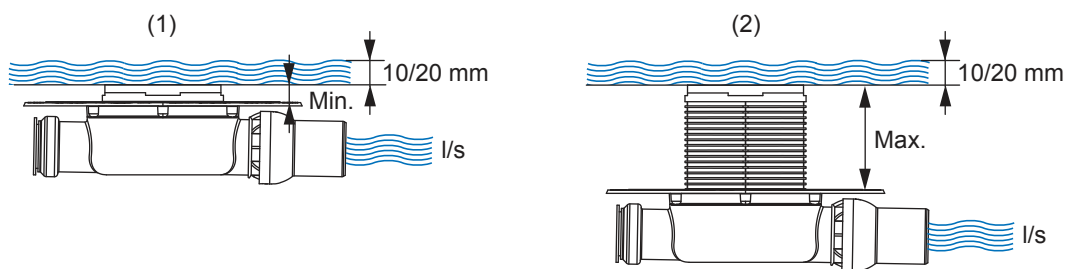


Pos.	Order No.	Designation	DU 1
1	3695003	O-ring seal for drain top with 110 mm	1 pc.

**Drainage capacity TECEdrainpoint S**

(Specified in l/s, according to DIN EN 1253)

Drain Designation (Order number)	Drain top and cover (order number)	Minimum height of drain top (1)		Maximum height of drain top (2)	
		Water level above grate			
		10 mm	20 mm	10 mm	20 mm
<b>DN 50 extra-flat (3601400)</b>	Top with design grate, 100 mm (3660001, 3660002, 3660009)	0.52	0.61	0.69	1.12
	Top with design grate “quadratum”, 100 mm (3660007)	0.44	0.69	0.53	0.85
	Tileable top “frameless”, 100 mm (3660016 + 3660006)	0.49	0.55	0.61	1.00
	Top with tileable frame base “plate”, 150 mm (3660011)	0.64	0.70	0.98	1.04
<b>DN 50 standard (3601500)</b>	Top with design grate, 100 mm (3660001, 3660002, 3660009)	0.52	0.89	0.64	1.35
	Top with design grate “quadratum”, 100 mm (3660007)	0.42	0.81	0.64	0.93
	Tileable top “frameless”, 100 mm (3660016 + 3660006)	0.45	0.75	0.79	1.07
	Top with tileable frame base “plate”, 150 mm (3660011)	0.91	0.98	1.33	1.46
<b>DN 50 vertical (3601600)</b>	Top with design grate, 100 mm (3660001, 3660002, 3660009)	0.64	1.36	0.70	1.56
	Top with design grate “quadratum”, 100 mm (3660007)	0.56	1.02	0.67	1.46
	Tileable top “frameless”, 100 mm (3660016 + 3660006)	0.62	0.96	0.89	1.48
	Top with tileable frame base “plate”, 150 mm (3660011)	1.33	1.41	1.63	1.69
<b>DN 50 terrace (3601401)</b>	Top with design grate, 100 mm (3660001, 3660002, 3660009)	0,66	1,22	0,50	1,51
	Top with design grate “quadratum”, 100 mm (3660007)	0,48	0,89	0,56	1,53
	Tileable top “frameless”, 100 mm (3660016 + 3660006)	0,71	0,97	0,81	1,07
	Top with tileable frame base “plate”, 150 mm (3660011)	0,97	1,46	0,86	1,27
<b>DN 70 horizontal (3603500)</b>	Top with design grate, 150 mm (3660003, 3660004, 3660010)	0.62	1.22	0.87	1.74
	Top with design grate “quadratum”, 150 mm (3660008)	0.76	1.13	0.78	1.54
	Tileable top “frameless”, 100 mm (3660016 + 3660006)	0.64	0.84	0.97	1.54
	Top with tileable frame base “plate”, 150 mm (3660011)	1.19	1.29	1.50	1.72
<b>DN 70 vertical (3603600)</b>	Top with design grate, 150 mm (3660003, 3660004, 3660010)	0.47	1.81	0.63	1.84
	Top with design grate “quadratum”, 150 mm (3660008)	0.79	1.67	0.68	1.99
	Tileable top “frameless”, 100 mm (3660016 + 3660006)	0.64	0.85	0.80	2.18
	Top with tileable frame base “plate”, 150 mm (3660011)	1.62	1.97	2.24	2.42
<b>DN 100 horizontal (3607500)</b>	Top with design grate, 150 mm (3660003, 3660004, 3660010)	0.90	1.61	0.86	2.03
	Top with design grate “quadratum”, 150 mm (3660008)	0.77	1.48	0.79	1.98
	Tileable top “frameless”, 100 mm (3660016 + 3660006)	0.46	1.12	0.58	1.81
	Top with tileable frame base “plate”, 150 mm (3660011)	1.36	1.48	1.60	2.06
<b>DN 100 vertical (3607600)</b>	Top with design grate, 150 mm (3660003, 3660004, 3660010)	0.76	1.42	0.80	2.10
	Top with design grate “quadratum”, 150 mm (3660008)	0.70	1.33	0.74	2.13
	Tileable top “frameless”, 100 mm (3660016 + 3660006)	0.76	1.06	0.59	1.86
	Top with tileable frame base “plate”, 150 mm (3660011)	1.22	1.36	1.72	2.20





Annex

# EXHIBITION SAMPLES

ASSORTMENT LIST 2019





	Page
TECElux	258
Toilet flush plates	260
Urinal flush plates	263
TECEdrainprofile	266
TECEdrainline	267

We can provide you with the prices of the exhibition samples on request.

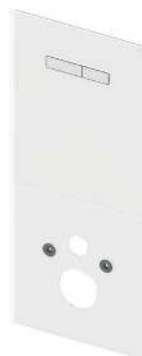
# Exhibition samples – TECElux

## TECElux flush plate exhibit glass with manual actuation

Upper glass facing with actuation unit for TECElux module with two actuation buttons in combination with lower glass facing.

Dimensions: 430 x 1000 x 16 mm

Color	Order No.
White glass, white buttons	9650500
White glass, bright chrome buttons	9650501
Black glass, bright chrome buttons	9650505



## TECElux flush plate exhibit glass with electronic sen-Touch actuation

Upper glass facing for TECElux module with electronic sen-Touch actuation buttons in combination with lower toilet glass facing for standard toilet, power pack included in the delivery.

Dimensions: 430 x 1000 x 16 mm

Color	Order No.
White glass	9650502
Black glass	9650504



## TECElux flush plate exhibit glass with electronic sen-Touch actuation, for shower toilet seat

Upper glass flush plate for TECElux module with electronic sen-Touch actuation buttons in combination with lower toilet glass facing for shower toilet seat, power pack included in the delivery.

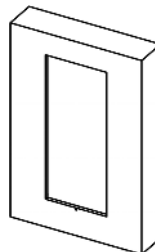
Dimensions: 430 x 1000 x 16 mm

Color	Order No.
White glass	9650503



**TECElux function display**

Exhibition wall incl. TECEprofil frame. For combination with a TECElux module, the upper glass facing and the lower mounting plate.  
 Dimensions: 816 x 1203 x 203 mm



Color	Order No.
Red (tone RAL 3001)	9650551
Black (tone RAL 7021)	9650552

**TECElux info board**

TECElux explanation table for exhibitions, for combination with TECElux function displays and TECElux exhibition modules.

Dimensions:  
 120 x 320 x 3 mm (9650553)  
 120 x 230 x 3 mm (9650554)



Version	Order No.
Sen-Touch and ceramic-Air	9650553
Manual actuation	9650554

## Exhibition samples – Toilet flush plates

### TECElux Mini toilet flush plate exhibit dual-flush system

Power pack included in the delivery.

Dimensions:

220 x 150 x 5 mm

(0 mm installation height with flush-mounted installation)



Color	Order No.
White glass	9240565
Black glass	9240567

### TECESquare II metal toilet flush plate exhibit

Dimensions: 220 x 150 x 3 mm



Color	Order No.
Brushed stainless steel (with anti-fingerprint)	9240560
Bright chrome	9240561
Bright white	9240562
Matte white	9240568 <b>NEW</b>
Matte black	9240564

### TECESquare toilet flush plate exhibit glass

Dimensions: 220 x 150 x 11 mm

(0 mm installation height with flush-mounted installation)



Color	Order No.
White glass, white buttons	9240530
White glass, stainless steel buttons	9240536
White glass, bright chrome buttons	9240531
Mint green glass, brushed stainless steel buttons (with anti-fingerprint)	9240539
Black glass, brushed stainless steel button (with anti-fingerprint)	9240532
Black glass, bright chrome buttons	9240538
Black glass, black buttons	9240537

## TECEloop glass toilet flush plate exhibit

Dimensions: 220 x 150 x 11 mm  
(0 mm installation height with flush-mounted installation)



Color	Order No.
White glass, white buttons	9240511
White glass, matte chrome buttons	9240524
White glass, bright chrome buttons	9240525
Mint green glass, white buttons	9240512
Mint green glass, matte chrome buttons	9240513
Mint green glass, bright chrome buttons	9240514
Black glass, white buttons	9240515
Black glass, matte chrome buttons	9240516
Black glass, bright chrome buttons	9240517
Black glass, black buttons	9240518
Black glass, gold buttons	9240519
Asis green glass (Emco), buttons matte chrome	9240527
Ruby red glass (Alape), brushed stainless steel buttons	9240528
Grass green glass (Burgbad), white buttons	9240529
Slate slab, brushed stainless steel buttons	9240540*
Silvery grey glass (Alape), matte chrome buttons	9240541
Coffee brown glass, bright chrome buttons	9240542
Orange glass, white buttons	9240548
Slate slab, bright chrome buttons	9240549*
White glass, brushed stainless steel push-buttons	9240550
Ruby red glass (Alape), white buttons	9240551
Grass green glass (Burgbad), matte chrome buttons	9240552

## TECEloop toilet flush plate exhibit plastic

Dimensions: 216 x 145 x 6 mm



Color	Order No.
White	9240507
White, bright chrome buttons	9240523
Pergamon	9240508
Matte chrome	9240509
Bright chrome	9240510

## TECESolid toilet flush plate exhibit

**NEW**

Dimensions: 220 x 150 x 6 mm



Color	Order No.
Bright white	9240572** <b>NEW</b>
Brushed stainless steel (with anti-fingerprint)	9240574** <b>NEW</b>
Bright chrome	9240571** <b>NEW</b>

\* Natural product, can deviate from exhibited surface

\*\* Expected availability: June 2019

## Exhibition samples – Toilet flush plates

### TECEplanus toilet flush plate exhibit, dual-flush system

Dimensions: 214 x 144 x 15 mm

Color	Order No.
Silky matte white	9240505
Bright white	9240521
Brushed stainless steel	9240502
Bright chrome	9240503



### TECEplanus toilet flush plate exhibit, single-flush system

Dimensions: 214 x 144 x 15 mm

Color	Order No.
Silky matte white	9240504
Bright white	9240520
Brushed stainless steel	9240500
Bright chrome	9240501



### TECEnow toilet flush plate exhibit

Dimensions: 220 x 150 x 5 mm

(0 mm installation height with flush-mounted installation)

Color	Order No.
White	9240555
Bright chrome	9240556
Matte chrome	9240557
Black	9240558



### TECEambia toilet flush plate exhibit, dual-flush system

Dimensions: 214 x 152 x 22 mm

Color	Order No.
White/white antibacterial	9240900
Matte chrome	9240901
Bright chrome	9240902
Matte chrome frame, bright chrome buttons	9240903
Bright chrome frame, matte chrome buttons	9240904



### TECE exhibition installation frame for flush-mounted installation, toilet

Exhibition installation frame for the flush-mounted installation of the TECElux Mini, TECEloop, TECESquare and TECEnow toilet flush plates.

Dimensions: 225 x 155 x 15 mm

Color	Order No.
White	9240543
Black	9240544
Bright chrome	9240522



## TECEfilo urinal exhibition flush plate

Dimensions:

- 100 x 150 x 7 mm (9242920)
- 100 x 150 x 9 mm (9242925)
- 100 x 150 x 6 mm (9242921, 9242930)

Color	Order No.
Plastic white	9242920
Plastic Bright chrome	9242921
White glass	9242925
Brushed stainless steel (with anti-fingerprint)	9242930



## TECEfilo-Solid urinal flush plate exhibit

**NEW**

Dimensions: 104 x 124 x 6 mm

Color	Order No.
Brushed stainless steel (with anti-fingerprint)	9242939* <b>NEW</b>



## TECESquare urinal flush plate exhibit metal

Dimensions: 124 x 144 x 2 mm

Color	Order No.
Brushed stainless steel (with anti-fingerprint)	9242533
Bright chrome	9242534
White	9242535



## TECESquare urinal flush plate exhibit glass

Dimensions: 104 x 124 x 11 mm

(0 mm installation height with flush-mounted installation)

Color	Order No.
White glass, white button	9242530
White glass, bright chrome button	9242531
Black glass, brushed stainless steel button (with anti-fingerprint)	9242532



# Exhibition samples – Urinal flush plates

## TECEloop urinal flush plate exhibit glass

Dimensions: 104 x 124 x 11 mm  
(0 mm installation height with flush-mounted installation)

Color	Order No.
White glass, white button	9242511
White glass, matte chrome button	9242524
White glass, bright chrome button	9242525
Mint green glass, white button	9242512
Mint green glass, matte chrome button	9242513
Mint green glass, bright chrome button	9242514
Black glass, white button	9242515
Black glass, matte chrome button	9242516
Black glass, bright chrome button	9242517
Black glass, black button	9242518
Black glass, gold button	9242519



## TECEloop urinal flush plate exhibit plastic

Dimensions: 100 x 120 x 6 mm

Color	Order No.
White	9242507
White, bright chrome button	9242523
Pergamon	9242508
Matte chrome	9242509
Bright chrome	9242510



## TECESolid urinal flush plate exhibit

**NEW**

Dimensions: 104 x 124 x 6 mm

Color	Order No.
Brushed stainless steel (with anti-fingerprint)	9242574* <b>NEW</b>



## TECEplanus urinal flush plate exhibit, manual

Dimensions: 100 x 120 x 12 mm

Color	Order No.
Silky matte white	9242902
Bright white	9242909
Brushed stainless steel	9242900
Bright chrome	9242901



## TECEplanus urinal flush plate exhibit, electronic

Dimensions: 100 x 120 x 12 mm

Color	Order No.
Silky matte white	9242906
Brushed stainless steel	9242903
Bright chrome	9242904





## TECEnow urinal flush plate exhibit

Dimensions: 104 x 124 x 5 mm

Color	Order No.
White	9242536
Bright chrome	9242537
Matte chrome	9242538



## TECEambia urinal flush plate exhibit

Dimensions: 100 x 120 x 15 mm

Color	Order No.
White	9242905
White, antibacterial	9242908



## TECE exhibition installation frame for flush-mounted installation, urinal

Exhibition installation frame for the flush-mounted installation of the TECEloop and TECEsquare urinal flush panels.

Dimensions: 129 x 109 x 15 mm

Color	Order No.
Bright chrome	9242522



## Exhibition samples – TECEdrainprofile

### TECEdrainprofile shower profile exhibit

Shower profile with profile lid on base body, for floor installation.

Consisting of:

- Profile and profile lid made of stainless steel, material 1.4301 (304)
- Base body made of wood

Length: 900 mm

width: 55 mm

Height: 10 mm

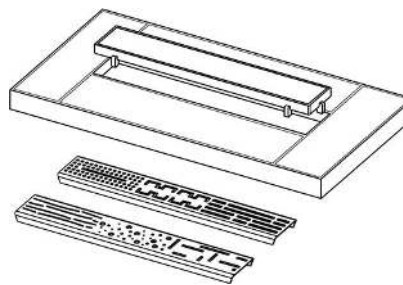


Surface	Order No.
brushed	679000

**TECEdrainline sample channels, tiled**

Tiled sample channel TECEdrainline with tiled channel and two design grates (3 designs in each case)  
Length: 500 mm

Order No.  
669001



**TECEdrainline sample channels, base body**

Sample channel, 10 mm high base body, for insertion of the type A, type B exhibition grates or the exhibition glass covers in green, white or black. Can also be used as an exhibition tileable channel.  
Length: 850 mm

Order No.  
669002



**TECEdrainline exhibition grate, type A**

Exhibition grate, type A, design "lines, drops, organic", for insertion in the channel base body  
Length: 850 mm

Order No.  
669003



**TECEdrainline exhibition grate, type B**

Exhibition grate, type B, design "basic, royal, quadratum", for insertion in the channel base body  
Length: 850 mm

Order No.  
669004



**TECEdrainline exhibition glass cover**

Exhibition glass cover, for insertion in the channel base body  
Length: 850 mm

Color	Order No.
Green	669009
White	669010
Black	669011

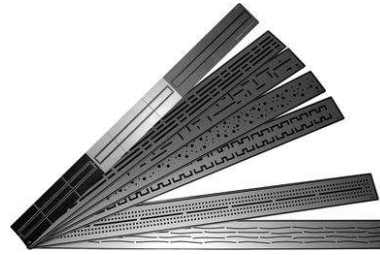


## Exhibition samples – TECEdrainline

### TECEdrainline sample fan

Sample fan with printed TECEdrainline designs on hard PVC foil.  
Length: 1000 mm

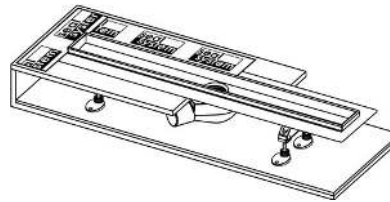
Order No.  
DS06000008



### TECEdrainline function display with Seal System

Function display with Seal System sealing tape, drain "standard" and assembly feet. Wooden construction in a screed look.

Order No.  
669022



Order No.		DU 1	DU 2	DU 3	Page	Order No.		DU 1	DU 2	DU 3	Page
DS06000008	-	1	-	-	268	600901	-	1	32	-	209
600700	-	1	40	-	208	600902	NEW	1	56	-	206
600701	-	1	32	-	209	600903	NEW	1	56	-	207
600702	NEW	1	56	-	206	600904	-	1	-	-	210
600703	NEW	1	56	-	207	600910	-	1	-	-	213
600704	-	1	-	-	210	600911	-	1	-	-	213
600710	-	1	-	-	213	600920	-	1	-	-	213
600711	-	1	-	-	213	600921	-	1	-	-	213
600720	-	1	-	-	213	600930	-	1	-	-	214
600721	-	1	-	-	213	600931	-	1	-	-	214
600730	-	1	-	-	214	600940	-	1	-	-	214
600731	-	1	-	-	214	600941	-	1	-	-	214
600740	-	1	-	-	214	600950	-	1	-	-	215
600741	-	1	-	-	214	600951	-	1	-	-	215
600750	-	1	-	-	215	600960	-	1	-	-	215
600751	-	1	-	-	215	600961	-	1	-	-	215
600760	-	1	-	-	215	600970	-	1	-	-	211
600761	-	1	-	-	215	600972	-	1	-	-	211
600770	-	1	-	-	211	600982	-	1	-	-	212
600772	-	1	-	-	211	600983	-	1	-	-	212
600782	-	1	-	-	212	600990	-	1	-	-	212
600783	-	1	-	-	212	600991	-	1	-	-	212
600790	-	1	-	-	212	600992	-	1	-	-	212
600791	-	1	-	-	212	601000	-	1	40	-	208
600792	-	1	-	-	212	601001	-	1	32	-	209
600800	-	1	40	-	208	601002	NEW	1	56	-	206
600801	-	1	32	-	209	601003	NEW	1	56	-	207
600802	NEW	1	56	-	206	601004	-	1	-	-	210
600803	NEW	1	56	-	207	601010	-	1	-	-	213
600804	-	1	-	-	210	601011	-	1	-	-	213
600810	-	1	-	-	213	601020	-	1	-	-	213
600811	-	1	-	-	213	601021	-	1	-	-	213
600820	-	1	-	-	213	601030	-	1	-	-	214
600821	-	1	-	-	213	601031	-	1	-	-	214
600830	-	1	-	-	214	601040	-	1	-	-	214
600831	-	1	-	-	214	601041	-	1	-	-	214
600840	-	1	-	-	214	601050	-	1	-	-	215
600841	-	1	-	-	214	601051	-	1	-	-	215
600850	-	1	-	-	215	601060	-	1	-	-	215
600851	-	1	-	-	215	601061	-	1	-	-	215
600860	-	1	-	-	215	601070	-	1	-	-	211
600861	-	1	-	-	215	601072	-	1	-	-	211
600870	-	1	-	-	211	601082	-	1	-	-	212
600872	-	1	-	-	211	601083	-	1	-	-	212
600882	-	1	-	-	212	601090	-	1	-	-	212
600883	-	1	-	-	212	601091	-	1	-	-	212
600890	-	1	-	-	212	601092	-	1	-	-	212
600891	-	1	-	-	212	601200	-	1	20	-	208
600892	-	1	-	-	212	601201	-	1	16	-	209
600900	-	1	40	-	208	601202	NEW	1	56	-	206

# Article quick search

Order No.		DU 1	DU 2	DU 3	Page	Order No.		DU 1	DU 2	DU 3	Page
601203	NEW	1	56	-	207	611082	-	1	-	-	217
601204	-	1	-	-	210	611200	-	1	9	-	216
601210	-	1	-	-	213	611210	-	1	-	-	217
601211	-	1	-	-	213	611270	-	1	-	-	217
601220	-	1	-	-	213	611282	-	1	-	-	217
601221	-	1	-	-	213	650000	-	1	270	-	219
601230	-	1	-	-	214	650001	-	1	210	-	219
601231	-	1	-	-	214	650002	-	1	75	-	220
601240	-	1	-	-	214	650003	-	1	175	-	220
601241	-	1	-	-	214	650004	-	1	320	-	219
601250	-	1	-	-	215	650700	-	1	40	-	218
601251	-	1	-	-	215	650800	-	1	40	-	218
601260	-	1	-	-	215	650900	-	1	40	-	218
601261	-	1	-	-	215	651000	-	1	40	-	218
601270	-	1	-	-	211	651200	-	1	20	-	218
601272	-	1	-	-	211	651500	-	1	20	-	218
601282	-	1	-	-	212	660001	-	1	16	-	199, 222, 249
601283	-	1	-	-	212	660002	-	8	-	-	200, 223, 250
601290	-	1	-	-	212	660003	-	1	45	-	221
601291	-	1	-	-	212	660004	-	1	30	-	221
601292	-	1	-	-	212	660005	-	1	10	-	221
601500	-	1	20	-	208	660006	-	1	-	-	221
601501	-	1	16	-	209	660015	-	1	150	-	222
601504	-	1	-	-	210	660016	-	1	100	-	222
601510	-	1	-	-	213	660017	-	1	100	-	222
601511	-	1	-	-	213	660018	-	1	100	-	222
601520	-	1	-	-	213	660019	-	3.9	31.2	-	222
601521	-	1	-	-	213	668010	-	1	-	-	226
601530	-	1	-	-	214	668011	-	1	-	-	226
601531	-	1	-	-	214	668012	-	1	-	-	224–226
601540	-	1	-	-	214	668013	-	1	-	-	224–226
601541	-	1	-	-	214	668014	-	1	100	-	224–226
601550	-	1	-	-	215	668016	-	10	-	-	224–226
601551	-	1	-	-	215	668019	-	1	-	-	227
601560	-	1	-	-	215	668020	-	1	100	-	225
601561	-	1	-	-	215	668024	-	1	-	-	225
601570	-	1	-	-	211	668025	-	1	-	-	226
601572	-	1	-	-	211	668026	-	1	-	-	226
601582	-	1	-	-	212	668027	-	1	-	-	226
601583	-	1	-	-	212	668028	-	1	-	-	226
601590	-	1	-	-	212	668029	-	1	-	-	226
601591	-	1	-	-	212	668030	-	1	-	-	226
601592	-	1	-	-	212	668031	-	1	-	-	226
610900	-	1	9	-	216	668032	-	1	-	-	226, 227
610910	-	1	-	-	217	668033	NEW	1	-	-	224
610970	-	1	-	-	217	669001	-	1	-	-	267
610982	-	1	-	-	217	669002	-	1	-	-	267
611000	-	1	9	-	216	669003	-	1	-	-	267
611010	-	1	-	-	217	669004	-	1	-	-	267
611070	-	1	-	-	217	669009	-	1	-	-	267

Order No.		DU 1	DU 2	DU 3	Page	Order No.		DU 1	DU 2	DU 3	Page
669010	-	1	-	-	267	3660018	-	1	-	-	243
669011	-	1	-	-	267	3660019	-	1	-	-	244
669012	-	1	10	-	221, 249	3665000	-	1	-	-	245
669022	-	1	-	-	268	3665001	-	1	-	-	245
670800	-	1	-	-	196	3665002	-	1	-	-	245
670810	-	1	-	-	196	3665003	-	1	-	-	245
670900	-	1	-	-	196	3665006	-	1	-	-	246
670910	-	1	-	-	196	3665009	-	1	-	-	246
671000	-	1	-	-	196	3690000	-	1	70	1120	221, 249
671010	-	1	-	-	196	3690001	-	1	70	1120	221, 249
671200	-	1	-	-	196	3690002	-	1	70	1120	221, 249
671210	-	1	-	-	196	3690003	-	1	-	-	248
673001	-	1	-	-	197	3690004	-	1	-	-	247
673002	-	1	-	-	198	3690005	-	1	100	-	248
674000	-	1	60	-	199	3690006	-	1	-	-	248
674002	NEW	1	-	-	199	3690007	-	1	10	-	249
675000	-	1	-	-	201	3690050	-	1	-	-	247
675001	-	1	-	-	201	3690070	-	1	10	-	247
675004	-	1	-	-	201, 202	3690100	-	1	10	-	247
675005	-	1	-	-	201, 202	3695000	-	1	-	-	251
675006	-	1	-	-	201	3695001	-	1	-	-	251
675008	-	1	-	-	202	3695002	-	1	-	-	248
675009	NEW	1	-	-	201, 202	3695003	-	1	-	-	251, 252
679000	-	1	-	-	266	3695004	-	1	-	-	251
3601050	-	1	10	-	232	3695005	-	1	-	-	248
3601100	-	1	10	-	232	3695006	-	1	-	-	248
3601102	-	1	10	-	233	9000000	-	18	630	1890	174
3601200	-	1	10	-	234	9010002	-	30	240	5400	117, 174
3601202	-	1	10	-	235	9010003	-	10	30	-	183
3601300	-	1	10	-	235	9010009	-	5	50	-	184
3601400	-	1	-	-	236	9018002	-	6	30	-	183
3601401	-	1	-	-	236	9018007	-	100	500	-	184
3601500	-	1	-	-	237	9018011	-	2	10	-	183
3601600	-	1	-	-	237	9020004	-	1	4	-	181
3603500	-	1	-	-	238	9020019	-	1	10	-	180
3603600	-	1	-	-	238	9020020	-	1	4	-	181
3607500	-	1	-	-	239	9020033	-	1	10	-	117, 177
3607600	-	1	-	-	239	9020034	-	1	10	-	177
3660001	-	1	-	-	240	9020036	-	1	2	-	181
3660002	-	1	-	-	241	9020038	-	1	-	-	179
3660003	-	1	-	-	241	9020039	-	1	-	-	179
3660004	-	1	-	-	242	9020040	-	1	10	-	180
3660005	-	1	-	-	243	9020041	-	1	10	-	180
3660006	-	1	-	-	243	9020045	-	1	4	-	181
3660007	-	1	-	-	242	9020046	-	1	4	-	181
3660008	-	1	-	-	243	9020048	-	1	10	-	178
3660009	-	1	-	-	241	9020049	-	1	10	-	177
3660010	-	1	-	-	242	9020050	-	1	10	-	177
3660011	-	1	-	-	240	9020051	-	1	4	-	181
3660016	-	1	-	-	240	9020052	-	1	4	-	181

## Article quick search

Order No.		DU 1	DU 2	DU 3	Page
9020054	-	1	10	-	178
9021017	-	1	20	-	181
9021019	-	50	200	400	175
9021021	-	1	20	-	181
9021022	-	1	20	-	181
9030002	-	10	60	240	117, 174
9030011	-	5	15	60	117, 175
9030013	-	2	10	-	175
9030017	-	1	-	-	184
9030024	-	1	-	-	158
9030026	-	1	-	-	159
9030028	-	1	-	-	112
9030029	-	1	-	-	33, 35, 38, 46, 159
9040001	-	10	30	-	184
9040004	-	10	30	-	184
9041006	-	1	10	60	176
9041008	-	1	10	60	151
9041029	-	1	-	-	112
9042003	-	1	-	-	109, 182
9042005	-	1	10	-	182
9042008	-	1	10	-	95
9042010	-	1	10	-	94
9042011	-	1	10	-	94
9042012	-	1	10	-	94
9042013	-	1	10	-	94
9042016	-	1	10	-	94
9042017	-	1	10	-	94
9042018	-	1	10	-	94
9080001	-	1	30	-	115
9140000	-	4	20	-	184
9150000	-	1	-	-	180
9200000	-	30	60	120	185
9200001	-	5	20	-	185
9200002	-	250	4500	9000	185
9200010	-	1	10	60	114, 138, 160
9200012	-	1	10	60	150
9200013	-	1	30	60	185
9200014	-	1	25	-	185
9200017	-	1	10	-	186
9221011	-	1	-	-	159
9221013	-	1	-	-	159, 187
9240100	-	1	10	-	47
9240125	-	1	10	-	47
9240126	-	1	10	-	47
9240140	-	1	10	-	47
9240200	-	1	10	320	47, 117
9240225	-	1	10	-	47
9240226	-	1	10	-	47
9240240	-	1	10	-	47

Order No.		DU 1	DU 2	DU 3	Page
9240253	-	1	10	-	47
9240254	-	1	10	-	47
9240310	-	1	10	-	40
9240311	-	1	10	-	40
9240312	-	1	10	-	40
9240314	-	1	10	-	40
9240320	-	1	10	-	40
9240321	-	1	10	-	40
9240322	-	1	10	-	40
9240324	-	1	10	-	40
9240350	-	1	-	-	41
9240351	-	1	-	-	41
9240352	-	1	-	-	41
9240353	-	1	-	-	41
9240354	-	1	-	-	42
9240355	-	1	-	-	42
9240356	-	1	-	-	43
9240357	-	1	-	-	43
9240360	-	1	-	-	44
9240361	-	1	-	-	41
9240362	-	1	-	-	41
9240365	-	1	10	-	40
9240366	-	1	10	-	40
9240400	-	1	10	-	45
9240401	-	1	10	-	45
9240402	-	1	10	-	45
9240403	-	1	10	-	45
9240405	-	1	10	-	45
9240410	-	1	10	-	45
9240411	-	1	10	-	45
9240412	-	1	10	-	45
9240415	-	1	10	-	45
9240430	NEW	1	10	-	39
9240431	NEW	1	10	-	39
9240432	NEW	1	10	-	39
9240433	NEW	1	10	-	39
9240434	NEW	1	10	-	39
9240440	NEW	1	10	-	39
9240441	NEW	1	10	-	39
9240442	NEW	1	-	-	39, 67
9240500	-	1	-	-	262
9240501	-	1	-	-	262
9240502	-	1	-	-	262
9240503	-	1	-	-	262
9240504	-	1	-	-	262
9240505	-	1	-	-	262
9240507	-	1	-	-	261
9240508	-	1	-	-	261
9240509	-	1	-	-	261
9240510	-	1	-	-	261



Order No.		DU 1	DU 2	DU 3	Page	Order No.		DU 1	DU 2	DU 3	Page
9240511	-	1	-	-	261	9240601	-	1	10	-	37
9240512	-	1	-	-	261	9240625	-	1	10	-	37
9240513	-	1	-	-	261	9240626	-	1	10	-	37
9240514	-	1	-	-	261	9240627	-	1	10	-	37
9240515	-	1	-	-	261	9240640	-	1	10	-	37
9240516	-	1	-	-	261	9240643	-	1	10	-	33, 35, 38, 46
9240517	-	1	-	-	261	9240644	-	1	20	-	33, 35, 38, 45
9240518	-	1	-	-	261	9240645	-	1	10	-	33, 35, 38, 46
9240519	-	1	-	-	261	9240646	-	1	20	-	33, 35, 38, 45
9240520	-	1	-	-	262	9240647	-	1	20	-	33, 35, 38, 45
9240521	-	1	-	-	262	9240648	-	1	20	-	33, 35, 38, 45
9240522	-	1	-	-	262	9240649	-	1	20	-	33, 35, 38, 45
9240523	-	1	-	-	261	9240650	-	1	10	-	37
9240524	-	1	-	-	261	9240651	-	1	10	-	37
9240525	-	1	-	-	261	9240652	-	1	10	-	37
9240527	-	1	-	-	261	9240653	-	1	10	-	37
9240528	-	1	-	-	261	9240654	-	1	10	-	37
9240529	-	1	-	-	261	9240655	-	1	10	-	37
9240530	-	1	-	-	260	9240656	-	1	10	-	37
9240531	-	1	-	-	260	9240657	-	1	10	-	37
9240532	-	1	-	-	260	9240658	-	1	10	-	37
9240536	-	1	-	-	260	9240659	-	1	10	-	37
9240537	-	1	-	-	260	9240660	-	1	10	-	37
9240538	-	1	-	-	260	9240663	-	1	10	-	36
9240539	-	1	-	-	260	9240664	-	1	10	-	36
9240540	-	1	-	-	261	9240665	-	1	10	-	36
9240541	-	1	-	-	261	9240666	-	1	10	-	36
9240542	-	1	-	-	261	9240667	-	1	10	-	36
9240543	-	1	-	-	262	9240668	-	1	10	-	36
9240544	-	1	-	-	262	9240669	-	1	10	-	36
9240548	-	1	-	-	261	9240670	-	1	10	-	36
9240549	-	1	-	-	261	9240671	-	1	10	-	36
9240550	-	1	-	-	261	9240672	-	1	10	-	36
9240551	-	1	-	-	261	9240673	-	1	10	-	36
9240552	-	1	-	-	261	9240674	-	1	10	-	36
9240555	-	1	-	-	262	9240675	-	1	10	-	36
9240556	-	1	-	-	262	9240676	-	1	10	-	36
9240557	-	1	-	-	262	9240677	-	1	10	-	36
9240558	-	1	-	-	262	9240678	-	1	10	-	36
9240560	-	1	-	-	260	9240679	-	1	10	-	36
9240561	-	1	-	-	260	9240680	-	1	10	-	36
9240562	-	1	-	-	260	9240683	-	1	10	-	36
9240564	-	1	-	-	260	9240684	-	1	10	-	36
9240565	-	1	-	-	260	9240685	-	1	10	-	36
9240567	-	1	-	-	260	9240700	-	1	10	-	48
9240568	NEW	1	-	-	260	9240701	-	1	10	-	48
9240571	NEW	1	-	-	261	9240702	-	1	10	-	48
9240572	NEW	1	-	-	261	9240800	-	1	10	-	34
9240574	NEW	1	-	-	261	9240801	-	1	10	-	34
9240600	-	1	10	-	37	9240802	-	1	10	-	34

## Article quick search

Order No.		DU 1	DU 2	DU 3	Page
9240803	-	1	10	-	34
9240804	-	1	10	-	34
9240805	-	1	10	-	34
9240806	-	1	10	-	34
9240807	-	1	10	-	34
9240808	-	1	10	-	34
9240809	-	1	10	-	34
9240830	-	1	10	-	34
9240831	-	1	10	-	34
9240832	-	1	10	-	34
9240833	-	1	10	-	34
9240834	NEW	1	10	-	34
9240900	-	1	-	-	262
9240901	-	1	-	-	262
9240902	-	1	-	-	262
9240903	-	1	-	-	262
9240904	-	1	-	-	262
9240950	-	1	-	-	19, 20, 49, 115, 160
9240960	-	1	-	-	32
9240961	-	1	-	-	32
9240970	-	1	-	-	32
9240971	-	1	-	-	33
9242030	NEW	1	-	-	60
9242031	NEW	1	-	-	60
9242032	NEW	1	-	-	60
9242033	NEW	1	-	-	60
9242034	NEW	1	-	-	60
9242035	NEW	1	-	-	60
9242036	NEW	1	-	-	60
9242037	NEW	1	-	-	60
9242038	NEW	1	-	-	60
9242039	NEW	1	-	-	60
9242040	-	1	-	-	62
9242041	-	1	-	-	62
9242042	-	1	-	-	62
9242050	-	1	-	-	61
9242051	-	1	-	-	61
9242054	-	1	-	-	61
9242055	-	1	-	-	61
9242060	-	1	-	-	59
9242061	-	1	-	-	59
9242062	-	1	-	-	59
9242063	-	1	-	-	59
9242070	-	1	-	-	58
9242071	-	1	-	-	58
9242100	-	1	15	-	71
9242126	-	1	15	-	71
9242140	-	1	15	-	71
9242310	-	1	15	-	68

Order No.		DU 1	DU 2	DU 3	Page
9242311	-	1	15	-	68
9242312	-	1	15	-	68
9242314	-	1	15	-	68
9242350	-	1	10	-	69
9242351	-	1	10	-	69
9242352	-	1	10	-	69
9242353	-	1	10	-	69
9242354	-	1	10	-	69
9242355	-	1	10	-	69
9242356	-	1	10	-	69
9242357	-	1	10	-	69
9242400	-	1	15	-	70
9242401	-	1	15	-	70
9242402	-	1	15	-	70
9242403	-	1	15	-	70
9242405	-	1	15	-	70
9242430	NEW	1	15	-	67
9242431	NEW	1	15	-	67
9242432	NEW	1	15	-	67
9242433	NEW	1	15	-	67
9242434	NEW	1	15	-	67
9242507	-	1	-	-	264
9242508	-	1	-	-	264
9242509	-	1	-	-	264
9242510	-	1	-	-	264
9242511	-	1	-	-	264
9242512	-	1	-	-	264
9242513	-	1	-	-	264
9242514	-	1	-	-	264
9242515	-	1	-	-	264
9242516	-	1	-	-	264
9242517	-	1	-	-	264
9242518	-	1	-	-	264
9242519	-	1	-	-	264
9242522	-	1	-	-	265
9242523	-	1	-	-	264
9242524	-	1	-	-	264
9242525	-	1	-	-	264
9242530	-	1	-	-	263
9242531	-	1	-	-	263
9242532	-	1	-	-	263
9242533	-	1	-	-	263
9242534	-	1	-	-	263
9242535	-	1	-	-	263
9242536	-	1	-	-	265
9242537	-	1	-	-	265
9242538	-	1	-	-	265
9242574	NEW	1	-	-	264
9242600	-	1	15	-	66
9242601	-	1	15	-	66

Order No.		DU 1	DU 2	DU 3	Page	Order No.		DU 1	DU 2	DU 3	Page
9242625	-	1	15	-	66	9300001	-	1	10	60	88
9242626	-	1	15	-	66	9300003	-	1	10	60	96
9242627	-	1	15	-	66	9300009	-	1	10	60	93
9242640	-	1	15	-	66	9300022	-	1	10	60	87
9242646	-	1	40	-	64, 66	9300040	-	1	14	-	136
9242647	-	1	40	-	64, 66	9300044	-	1	10	60	92
9242648	-	1	40	-	64, 66	9300066	-	1	10	60	98
9242649	-	1	40	-	64, 66	9300079	-	1	10	60	89
9242650	-	1	15	-	65	9300080	-	1	10	60	91
9242651	-	1	15	-	65	9300082	-	1	10	60	90
9242652	-	1	15	-	65	9300088	-	1	-	-	97
9242653	-	1	15	-	65	9310000	-	1	10	60	99
9242654	-	1	15	-	65	9310002	-	1	10	60	102
9242655	-	1	15	-	65	9310004	-	1	10	60	100
9242656	-	1	15	-	65	9310011	-	1	10	60	99
9242657	-	1	15	-	65	9310017	NEW	1	10	60	101
9242658	-	1	15	-	65	9320008	-	1	10	60	104
9242659	-	1	15	-	65	9320010	-	1	10	60	105
9242660	-	1	15	-	65	9320013	-	1	10	-	103
9242661	-	1	15	-	65	9330000	-	1	10	60	107
9242662	-	1	15	-	65	9330005	-	1	10	60	107
9242663	-	1	15	-	65	9340000	-	1	10	60	106
9242800	-	1	15	-	63	9360000	-	1	10	-	109, 182
9242801	-	1	15	-	63	9370000	-	1	10	60	146
9242802	-	1	15	-	63	9370007	-	1	25	-	152
9242803	-	1	15	-	63	9370008	-	1	18	-	152
9242804	-	1	15	-	63	9370009	-	1	18	-	154
9242805	-	1	15	-	63	9370021	-	1	-	-	156
9242806	-	1	15	-	63	9370031	-	1	50	-	156
9242807	-	1	15	-	63	9370032	-	1	50	-	155
9242808	-	1	15	-	63	9370033	-	1	-	-	155
9242809	-	1	15	-	63	9370040	-	1	-	-	156
9242810	-	1	10	-	63	9370041	-	1	18	-	153
9242811	-	1	10	-	63	9370044	NEW	1	-	-	147
9242812	-	1	10	-	63	9371000	-	1	10	60	150
9242900	-	1	-	-	264	9375000	-	1	10	60	148
9242901	-	1	-	-	264	9375004	-	1	-	-	149
9242902	-	1	-	-	264	9380000	-	1	10	60	109, 119–121
9242903	-	1	-	-	264	9380001	-	1	5	-	111
9242904	-	1	-	-	264	9380002	-	1	-	-	111
9242905	-	1	-	-	265	9380003	-	1	5	-	112
9242906	-	1	-	-	264	9380004	-	1	-	-	111
9242908	-	1	-	-	265	9380005	-	1	5	-	110, 183
9242909	-	1	-	-	264	9380006	-	1	5	-	110, 183
9242920	-	1	-	-	263	9380007	-	10	40	-	110
9242921	-	1	-	-	263	9380013	-	1	-	-	111
9242925	-	1	-	-	263	9380014	NEW	1	-	-	109
9242930	-	1	-	-	263	9380300	-	1	20	-	110
9242939	NEW	1	-	-	263	9380301	-	1	20	-	110
9300000	-	1	10	60	86, 117	9510003	-	1	10	-	178

## Article quick search

Order No.		DU 1	DU 2	DU 3	Page
9600100	-	1	6	12	10
9600200	-	1	6	12	11
9600400	-	1	6	12	12
9650000	-	1	20	-	13
9650001	-	1	20	-	13
9650002	-	1	10	-	13
9650003	-	1	10	-	13
9650004	-	1	20	-	13
9650005	-	1	20	-	13
9650100	-	1	20	-	14
9650101	-	1	20	-	14
9650102	-	1	20	-	15
9650103	-	1	20	-	15
9650104	-	1	20	-	15
9650105	-	1	20	-	14
9650106	-	1	20	-	14
9650107	-	1	20	-	15
9650108	-	1	20	-	15
9650109	-	1	20	-	14
9650110	-	1	20	-	14
9650500	-	1	-	-	258
9650501	-	1	-	-	258
9650502	-	1	-	-	258
9650503	-	1	-	-	258
9650504	-	1	-	-	258
9650505	-	1	-	-	258
9650551	-	1	-	-	259
9650552	-	1	-	-	259
9650553	-	1	-	-	259
9650554	-	1	-	-	259
9660000	-	1	-	-	17
9660001	-	1	-	-	17
9660002	-	1	-	-	17
9810003	-	1	-	-	43, 69
9810004	-	1	-	-	44
9820000	-	1	-	-	118, 162
9820005	-	1	-	-	22, 118, 129, 162, 167, 190
9820006	Drop-ped	1	-	-	138, 163
9820009	Drop-ped	1	-	-	138, 163
9820010	Drop-ped	1	-	-	138, 163
9820011	-	1	-	-	19, 20, 22, 119, 120, 122–124, 130, 141, 164, 165, 168, 169, 188, 189

Order No.		DU 1	DU 2	DU 3	Page
9820012	-	1	-	-	22, 130, 131, 141, 168, 169, 189
9820013	-	1	-	-	22, 130, 131, 141, 168, 169, 189
9820014	-	1	-	-	22, 130, 141, 168, 169, 189
9820015	-	1	-	-	19, 20, 22, 119–124, 130, 131, 140, 141, 164–166, 168, 169, 188, 189
9820016	-	1	-	-	22, 130, 131, 168, 189
9820017	-	1	-	-	22, 130, 131, 168, 189
9820018	-	1	-	-	22, 118, 130, 131, 162, 168, 189
9820019	-	1	-	-	22, 118, 130, 131, 162, 168, 189
9820020	-	1	-	-	51–53, 76, 77, 118, 138, 162, 163
9820021	-	1	-	-	51–53
9820022	-	1	-	-	22, 50, 51, 53, 118, 130, 131, 162, 168, 189
9820024	-	1	-	-	51–53, 76, 77, 118, 162
9820025	-	1	-	-	22, 118, 130, 131, 162, 168, 189
9820026	-	1	-	-	22, 118, 130, 131, 162, 168, 189
9820027	-	1	-	-	22, 130, 131, 168, 189
9820030	-	1	-	-	49
9820031	-	1	-	-	75–77, 131, 169, 190
9820034	-	1	-	-	124, 125, 128, 188
9820035	-	1	-	-	124, 125, 128, 188
9820037	-	1	-	-	188
9820040	-	1	-	-	19, 20, 119–124
9820041	-	1	-	-	119, 120, 122–124
9820042	-	1	-	-	119, 120, 122–124, 140
9820043	-	1	-	-	19, 20, 119–124, 164
9820047	-	1	-	-	128

Order No.		DU 1	DU 2	DU 3	Page
9820048	-	1	-	-	164, 165
9820049	-	1	-	-	164–166
9820050	-	1	-	-	164
9820051	-	1	-	-	164, 165
9820054	-	1	-	-	190
9820055	-	1	-	-	115, 126, 127, 160, 188
9820057	-	1	30	-	19, 20, 119–124, 140, 164–166, 188
9820059	-	1	-	-	124, 125, 128, 188
9820065	-	1	-	-	188
9820066	-	1	-	-	188
9820067	-	1	-	-	124–126
9820070	-	1	-	-	125
9820071	-	1	-	-	19, 20, 119, 120, 122–124, 128
9820073	-	1	-	-	165
9820074	-	1	-	-	127, 188, 189
9820075	-	1	-	-	127, 188
9820076	-	1	-	-	126, 127, 188, 189
9820078	-	1	-	-	113, 123
9820079	-	1	-	-	127
9820080	-	1	-	-	52, 76
9820081	-	1	-	-	77
9820082	-	1	-	-	76
9820083	-	1	-	-	76
9820084	-	1	-	-	76
9820085	-	1	-	-	76
9820086	-	1	-	-	76
9820087	-	1	-	-	76
9820088	-	1	-	-	76
9820089	-	1	-	-	76
9820090	-	1	-	-	76
9820091	-	1	-	-	52, 76, 77
9820092	-	1	-	-	52, 53, 76
9820093	-	1	-	-	76
9820094	-	1	-	-	52, 53, 76
9820095	-	1	-	-	72
9820096	-	1	-	-	128
9820097	-	1	-	-	76, 77
9820098	-	1	-	-	76
9820099	-	1	-	-	119, 121, 130
9820100	-	1	-	-	120, 121, 164
9820101	-	1	-	-	119, 121
9820102	-	1	-	-	189

Order No.		DU 1	DU 2	DU 3	Page
9820103	-	1	-	-	19, 20, 119, 120, 122–124, 164, 165, 188
9820105	-	1	-	-	189
9820125	-	1	-	-	190
9820126	-	1	-	-	113, 123
9820127	-	1	-	-	113, 123
9820128	-	1	-	-	190
9820129	-	1	-	-	77
9820133	-	1	-	-	188
9820134	-	1	-	-	19, 112, 119–124, 188
9820135	-	1	-	-	164, 165
9820136	-	1	10	-	19, 20, 113, 119–124, 160, 164, 165, 188
9820137	-	1	10	-	113, 160
9820139	-	1	-	-	19, 20, 119–124, 140, 164–166, 188
9820140	-	1	-	-	52, 53
9820143	-	1	-	-	165
9820144	-	1	-	-	165
9820145	-	1	-	-	140
9820146	-	1	-	-	165, 166
9820147	-	1	-	-	140
9820148	-	1	-	-	166
9820149	-	1	-	-	166
9820150	-	1	-	-	140, 165, 166
9820151	-	1	-	-	166
9820152	-	1	-	-	166
9820153	-	1	-	-	166
9820161	-	1	-	-	138, 141, 163, 170
9820163	-	1	-	-	138, 141, 163, 170
9820180	-	1	-	-	50, 51, 53, 75, 118, 162
9820181	-	1	-	-	49
9820188	-	1	-	-	141, 169
9820189	-	1	-	-	138, 141, 163, 169
9820191	-	1	-	-	22, 54, 128, 138, 141, 163, 167, 169
9820192	-	1	-	-	140, 141, 165, 169
9820193	-	1	-	-	138, 163
9820194	-	1	-	-	138, 141, 163, 169
9820195	-	1	-	-	52, 53
9820196	-	1	-	-	50

## Article quick search

Order No.		DU 1	DU 2	DU 3	Page
9820197	-	1	-	-	75
9820198	-	1	-	-	52
9820199	-	1	-	-	52
9820200	-	1	-	-	52
9820201	-	1	-	-	52
9820202	-	1	-	-	52
9820203	-	1	-	-	52
9820204	-	1	-	-	52
9820205	-	1	-	-	53
9820206	-	1	-	-	53
9820213	-	1	-	-	131, 169, 190
9820214	-	1	-	-	113, 138, 159
9820215	-	1	-	-	138, 141, 163, 169
9820216	-	1	-	-	138, 141, 163, 169
9820217	-	1	-	-	138, 141, 163, 169
9820219	-	1	-	-	138, 163
9820220	-	1	-	-	138, 163
9820221	-	1	-	-	138, 141, 163, 169
9820222	-	1	-	-	22, 118, 129, 138, 141, 162, 163, 167, 170, 190
9820223	-	1	-	-	22, 115, 118, 130, 131, 161, 162, 168, 189
9820224	-	1	-	-	138, 141, 163, 169, 170
9820228	-	1	-	-	138, 163
9820229	-	1	-	-	22, 129, 167, 190
9820231	-	1	-	-	22, 129, 167, 190
9820233	-	1	-	-	22, 118, 129, 162, 167, 190
9820241	-	1	-	-	53
9820245	-	1	-	-	191
9820246	-	1	-	-	131, 169, 191
9820249	-	1	-	-	50, 51
9820250	-	1	-	-	140, 165, 166
9820253	-	1	-	-	50, 51
9820254	-	1	-	-	140
9820255	-	1	-	-	165, 166
9820256	-	1	-	-	165, 166
9820259	-	1	-	-	122
9820263	-	1	-	-	22, 50–54, 118, 128, 162, 167
9820264	-	1	-	-	115, 160, 187
9820275	-	1	-	-	141, 170
9820284	-	1	-	-	20, 50

Order No.		DU 1	DU 2	DU 3	Page
9820285	-	1	-	-	20
9820286	-	1	-	-	20
9820287	-	1	-	-	20
9820288	-	1	-	-	20
9820289	-	1	-	-	20
9820290	-	1	-	-	20
9820291	-	1	-	-	21
9820300	-	1	-	-	20
9820301	-	1	-	-	20
9820302	-	1	-	-	20
9820311	-	1	-	-	20
9820315	-	1	10	-	112
9820316	-	1	10	-	113, 160
9820317	-	1	-	-	19, 20, 112
9820326	-	1	-	-	53
9820327	-	1	-	-	51, 52
9820328	-	1	-	-	50, 51
9820329	-	1	-	-	19, 20
9820330	-	1	-	-	19, 20
9820331	-	1	-	-	22, 130, 165, 168, 189
9820332	-	1	-	-	19, 20, 119–128
9820333	-	1	-	-	19, 20, 119–128
9820335	-	1	-	-	19, 20, 119–128, 188
9820337	-	1	-	-	18, 116, 118, 139, 161, 162
9820340	-	1	-	-	120, 121
9820341	-	1	-	-	120, 121
9820342	-	1	-	-	120, 121
9820346	-	1	-	-	53
9820347	-	1	-	-	50
9820348	-	1	-	-	119–124
9820349	-	1	-	-	22, 54, 128, 167
9820350	-	1	-	-	20
9820351	-	1	-	-	21
9820352	-	1	-	-	50
9820353	-	1	10	240	17, 22, 116, 118, 130, 131, 139, 141, 161, 162, 168, 169, 189, 191
9820354	-	1	-	-	32
9820369	-	1	-	-	50
9820370	-	1	-	-	50
9820372	-	1	-	-	22, 118, 130, 131, 162, 168, 189

Order No.		DU 1	DU 2	DU 3	Page
9820373	-	1	-	-	22, 118, 130, 131, 162, 168, 189
9820374	-	1	-	-	22, 118, 130, 131, 162, 168, 189
9820375	-	1	-	-	141, 169
9820376	-	1	-	-	141, 169
9820382	-	1	-	-	21, 118, 129, 140, 162, 167, 191
9820383	-	1	-	-	21, 118, 129, 140, 162, 167, 191
9820390	-	1	-	-	50, 51, 73, 74, 118, 162
9820391	-	1	-	-	50
9820392	-	1	-	-	50
9820393	-	1	-	-	50
9820394	-	1	-	-	139, 161
9820397	-	1	-	-	50
9820398	-	1	-	-	21, 129, 140, 167, 191
9820400	-	1	-	-	123
9820420	NEW	1	-	-	22, 129, 167, 190
9820424	-	1	-	-	126, 166
9820425	-	1	-	-	21
9820426	NEW	1	-	-	51
9820427	NEW	1	-	-	74
9820433	NEW	1	-	-	74
9820434	NEW	1	-	-	74
9820435	NEW	1	-	-	74
9820436	NEW	1	-	-	74
9820437	NEW	1	-	-	122
9820446	NEW	10	-	-	141, 170
9820447	-	1	-	-	19, 20, 119–128
9820533	-	1	-	-	73, 74
9820534	-	1	-	-	74
9820535	-	1	-	-	74
9820537	-	1	-	-	73
9820538	-	1	-	-	73
9820540	-	1	-	-	73, 74
9820545	-	1	-	-	73, 74
9820546	-	1	-	-	73, 74
9820550	-	1	-	-	73
9820553	-	1	-	-	126, 166
9820554	-	1	-	-	73, 74
9820557	NEW	1	-	-	51
9820558	NEW	1	-	-	51
9820559	NEW	1	-	-	51
9820560	NEW	1	-	-	51
9850016	-	1	-	-	117

Order No.		DU 1	DU 2	DU 3	Page
9880036	-	1	-	-	21, 23, 114
9880037	-	1	-	-	113
9880046	-	1	-	-	114
9880047	-	1	-	-	158
9880048	-	1	-	-	158
9880049	-	1	-	-	113
9880052	-	1	-	-	114
9880053	-	1	-	-	114
9880054	-	1	-	-	114
9880056	-	1	10	60	139

## Assortment changes

Order No.	Designation	State/Change	Substitute
600702	TECEDrainline-Evo, shower channel, 700 mm	NEW	
600703	TECEDrainline-Evo, shower channel, with wall tile support, 700 mm	NEW	
600802	TECEDrainline-Evo, shower channel, 800 mm	NEW	
600803	TECEDrainline-Evo, shower channel, with wall tile support, 800 mm	NEW	
600902	TECEDrainline-Evo, shower channel, 900 mm	NEW	
600903	TECEDrainline-Evo, shower channel, with wall tile support, 900 mm	NEW	
601002	TECEDrainline-Evo, shower channel, 1000 mm	NEW	
601003	TECEDrainline-Evo, shower channel, with wall tile support, 1000 mm	NEW	
601202	TECEDrainline-Evo, shower channel, 1200 mm	NEW	
601203	TECEDrainline-Evo, shower channel, with wall tile support, 1200 mm	NEW	
668033	TECEDrainline-Evo immersion pipe seal	NEW	
674002	TECEDrainprofile hair trap	NEW	
675009	TECEDrainprofile removal hook for odour trap, stainless steel	NEW	
3690008	TECEDrainpoint S polymer concrete collar	Dropped	
9240430	TECESolid toilet flush plate brushed stainless steel for dual-flush system	NEW	
9240431	TECESolid toilet flush plate bright chrome for dual-flush system	NEW	
9240432	TECESolid toilet flush plate bright white for dual-flush system	NEW	
9240433	TECESolid Toilet flush plate matte white for dual-flush system	NEW	
9240434	TECESolid toilet flush plate brushed stainless steel with anti-fingerprint for dual-flush system	NEW	
9240440	TECESolid spacing frame white	NEW	
9240441	TECESolid spacing frame grey	NEW	
9240442	TECESolid concealed safety bolts	NEW	
9240568	TECESquare II toilet flush plate exhibit, matte white	NEW	
9240571	TECESolid toilet flush plate exhibit, bright chrome	NEW	
9240572	TECESolid toilet flush plate exhibit, bright white	NEW	
9240574	TECESolid toilet flush plate exhibit, brushed stainless steel with anti-fingerprint	NEW	
9240834	TECESquare metal toilet flush plate 2 matte white	NEW	
9242030	TECEfilo-Solid urinal electronics brushed stainless steel 230 V mains	NEW	
9242031	TECEfilo-Solid urinal electronics bright chrome 230 V mains	NEW	
9242032	TECEfilo-Solid urinal electronics bright white 230 V mains	NEW	
9242033	TECEfilo-Solid urinal electronics brushed stainless steel 7.2 V battery	NEW	
9242034	TECEfilo-Solid urinal electronics bright chrome 7.2 V battery	NEW	
9242035	TECEfilo-Solid urinal electronics bright white 7.2 V battery	NEW	
9242036	TECEfilo-Solid urinal electronics matte white 230 V mains	NEW	
9242037	TECEfilo-Solid urinal electronics brushed stainless steel with anti-fingerprint 230 V mains	NEW	
9242038	TECEfilo-Solid urinal electronics matte white 7.2 V battery	NEW	
9242039	TECEfilo-Solid urinal electronics brushed stainless steel with anti-fingerprint 7.2 V battery	NEW	
9242430	TECESolid urinal flush plate brushed stainless steel	NEW	
9242431	TECESolid urinal flush plate bright chrome	NEW	
9242432	TECESolid urinal flush plate bright white	NEW	
9242433	TECESolid urinal flush plate matte white	NEW	
9242434	TECESolid urinal flush plate brushed stainless steel with anti-fingerprint	NEW	
9242574	TECESolid urinal flush plate exhibit, brushed with anti-fingerprint	NEW	
9242939	TECEfilo-Solid flush plate exhibit, brushed stainless steel with anti-fingerprint	NEW	
9300093	TECEconstruct toilet module with Uni cistern, four standing feet, installation height 1120 mm	NEW	
9310017	TECEprofil washstand module including two assembly blocks for water meter measuring capsules, installation height 1120 mm	NEW	
9370044	TECEbox toilet module with Uni cistern, incl. assembly feet and toilet sound insulation set, installation height 1060 mm	NEW	
9380014	TECEprofil module attachment with depth adjustment and quick closure	NEW	



Order No.	Designation	State/Change	Substitute
9820006	TECE fill valve F1 for TECE cistern complete	Dropped	9820353
9820007	TECE spare part top-hat membrane	Dropped	
9820008	TECE spare part packer	Dropped	
9820009	TECE spare part sealing set	Dropped	
9820010	TECE spare part lever	Dropped	
9820251	TECE flush pipe for Octa cistern, 8 cm, made of PE-HD	Dropped	
9820420	TECE additional weight small pull rod, spare part drain valve A 2	NEW	
9820426	TECEsolid attachment frame, spare part	NEW	
9820427	TECEfilo-Solid brushed stainless steel cover plate with anti-fingerprint, spare part	NEW	
9820433	TECEfilo-Solid bright chrome cover plate, spare part	NEW	
9820434	TECEfilo-Solid bright white cover plate, spare part	NEW	
9820435	TECEfilo-Solid matte white cover plate, spare part	NEW	
9820436	TECEfilo-Solid brushed stainless steel cover plate without anti-fingerprint, spare part	NEW	
9820437	TECEprofil Geronto module support frame set	NEW	
9820446	TECE spare part O-ring joint drain valve A 3	NEW	
9820557	TECEsquare glass flush buttons white, spare part	NEW	
9820558	TECEsquare glass flush buttons bright chrome, spare part	NEW	
9820559	TECEsquare glass flush buttons, brushed stainless steel look, spare part	NEW	
9820560	TECEsquare glass flush buttons back, spare part	NEW	



**Notes:**

- Goods are supplied to the specialist wholesale trade only in the quantities specified.
- Subject to technical modifications.
- This documentation is based on our current state of knowledge; the "state of the art" applies as a matter of course.
- Local standards and guidelines are to be taken into consideration in the choice of materials.

Valid until the appearance of the next issue. Subject to alterations and errors excepted.

More information on  
[www.tece.com](http://www.tece.com)

**TECE GmbH**  
P +49 25 72 / 9 28 999  
[international-business@tece.de](mailto:international-business@tece.de)  
[www.tece.com](http://www.tece.com)